

**Miniature
10 Amps • 2PDT
To MIL-PRF-83536**

SPECIFICATIONS

GENERAL

Contact Arrangement.....2PDT (2 Form C)
Weight.....1.6 oz approx.
 Designed to meet the requirements of MIL-PRF-83536

PERFORMANCE

Contact Rating (Note 1):

Resistive.....10 Amps @ 28 VDC or
 115/208V 400 Hz
 (Case Grounded)
 Inductive.....8 Amps @ 28 VDC or
 115/208V 400 Hz
 2.5 Amps @ 115/208V 60 Hz
 (Case Grounded)
 Motor.....4 Amps @ 28 VDC or
 115/208V 400 Hz
 2 Amps @ 115/208V 60 Hz
 (Case Grounded)
 Lamp.....2 Amps @ 28 VDC or
 115/208V 400 Hz
 1.5 Amps @ 115/208V 60 Hz
 (Case Grounded)

Life100,000 operations minimum @ rated
 resistive load, 125°C

Pull In Power.....500 mw approx.

Operate/Release Time:

DC Coil **AC Coil**
 15 ms max 50 ms max
 Excluding bounce time at nominal coil voltage

Contact Bounce Time.....1 ms max
 @ rated contact load, 28 VDC

Contact Voltage Drop:

Before Life100 mv max @ 10 Amps
 and 6 VDC
 After Life125 mv max @ 10 Amps
 and 6 VDC

ENVIRONMENTAL

Temperature Range.....-70°C to +125°C
Vibration (Note 2).....0.12" DA 10 - 70 Hz
 30 G's 70 - 3,000 Hz
Shock (Operating)(Note 2)200 G's 6 ms

ELECTRICAL CHARACTERISTICS

Duty Cycle.....Continuous
Insulation Resistance100 megohms
 @ 500V 25°C

Dielectric Strength:

Sea Level:
 Contact to Case1,250 VRMS
 Contact to Coil1,250 VRMS
 Coil to Case1,000 VRMS
 Across Open Contacts1,250 VRMS
 80,000 Feet:
 All Points.....350 VRMS

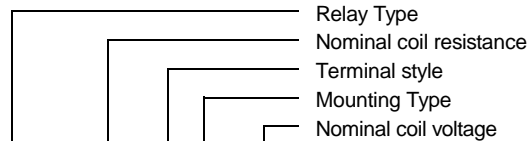
MIL-PRF-83536/9 QUALIFIED to ER level M

Notes:

1. For other ratings consult the factory.
2. For applications requiring higher shock and vibration, consult the factory.
3. AC coil line frequency 50 to 400 Hz.

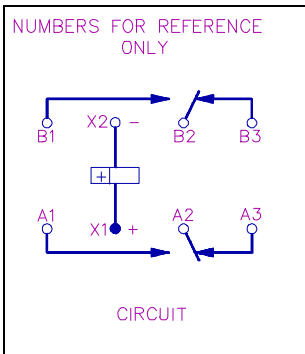
COIL DATA:

MODEL BR246 PART NUMBER	BR246-20(0)-6V	BR246-80(0)-12V	BR246-320(0)-28V	BR246-1000(0)-48V	BR246AC-(0)-115V (Note 3)
NOMINAL COIL VOLTAGE	6 VDC	12 VDC	28 VDC	48 VDC	115 VAC
MAXIMUM COIL VOLTAGE	8 VDC	15 VDC	29 VDC	59 VDC	122 VAC
PULL IN VOLTAGE (MAX @ +125°C)	4.5 VDC	9 VDC	18 VDC	36 VDC	90 VAC
DROP OUT VOLTAGE (MAX)	1.8 VDC	3.5 VDC	5.1 VDC	11 VDC	5 - 30 VAC
COIL RESISTANCE ± 10% @ 25°C	20 OHMS	80 OHMS	320 OHMS	1000 OHMS	I = 0.04 AMPS

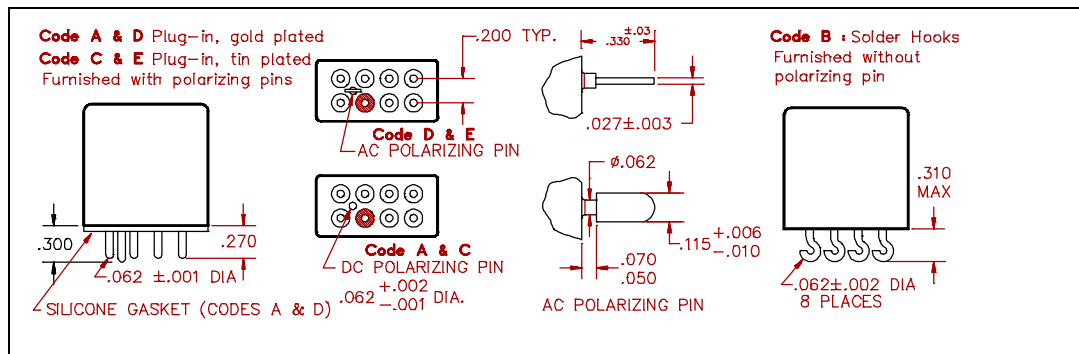


BR246 - 320 C 2 - 28V

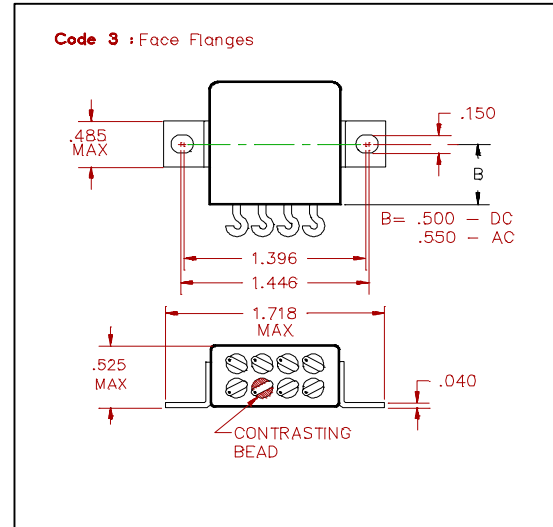
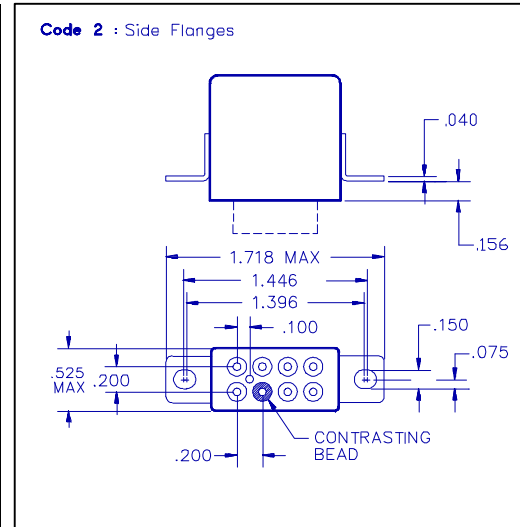
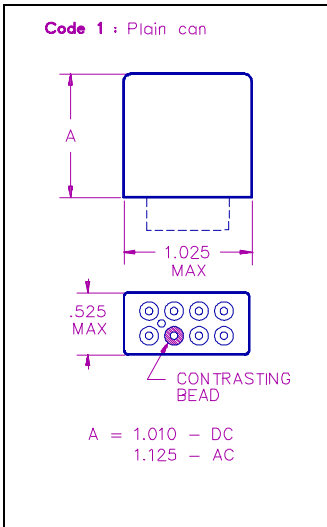
SCHEMATIC TERMINAL VIEW



TERMINAL STYLES



MOUNTING CODES



GENERAL NOTES

- Unless otherwise specified, all tests made at nominal coil voltages, @ 25°C.
- For special coil variations, switching configurations, terminals styles and mounting types, consult the factory.
- Unless otherwise specified, tolerances on decimal dimensions are ± .010".
- Specifications contained herein are subject to change without notice.