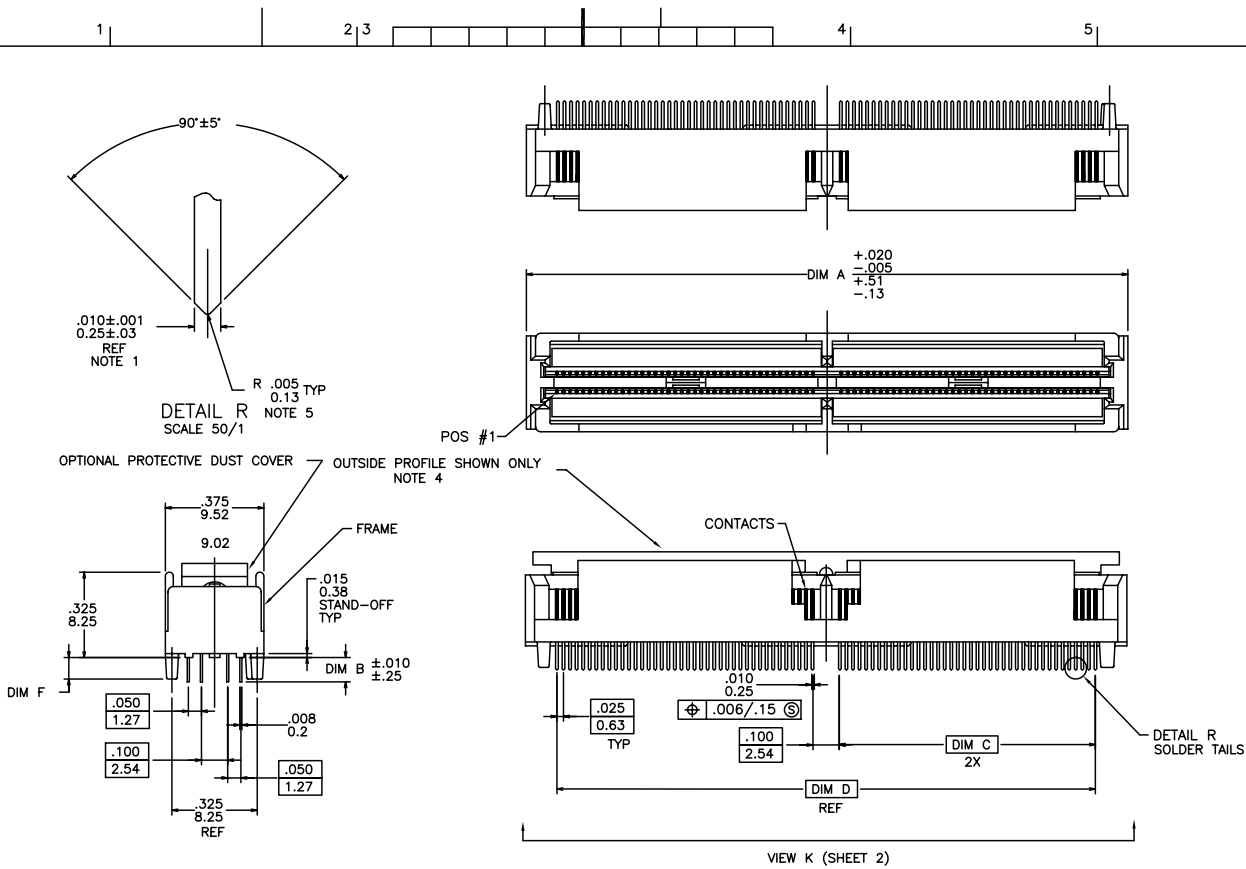


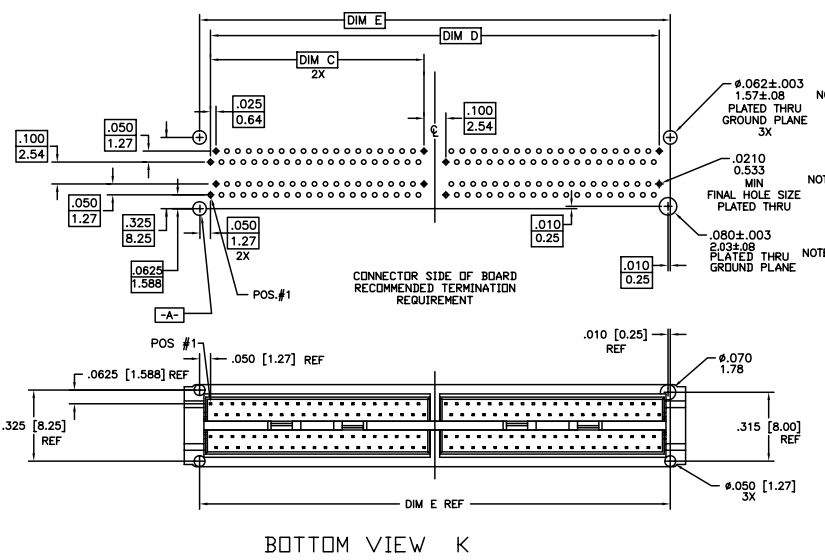
PRODUCT NO.
SEE TABLE



mat'l. code		surface		tolerance		projection		product family	
		ISO 1302		ISO 406		ISO 1101		MICROPAX	
itr		ecn no dr date		tolerances unless otherwise specified		title			
K	V31907	MRC	11/4/93	angles	linear	.XX±.01/.3	INCH/MM	MICROPAX .025M VERT. PLUG DOUBLE MODULE	
L	V32226	MRC	12/22/93	0°±2'		.XXX±.005/.13	scale 1:1	dwg no sheet 1 of 2 size	
M	V71417	MAP	10/6/97			.XXXX±.0020/.051		89649 A3	
N	V12555	CRG	11/8/01	dr	L.POTTEIGER	4/16/91	FCJ	type Product Customer Drawing	
P	V20402	MEM	3/12/02	enrg	T.LEMKE	4/16/91			
R	M06-0222	AGS	6/9/06	chr	T.LEMKE	4/16/91			
sheet index		revision sheet		R R					
		1 2		1 2					

PRODUCT NO	NO. OF CONTACTS	DIM A	DIM B	DIM C	DIM D	DIM E	DIM F	BOARD THICKNESS	DUST CAP
89649-001	160	2.290/58.17	.092/2.34	.975/24.76	2.050/52.07	2.150/54.61	.082/2.08	.062/1.58	NO
89649-002		.155/3.94	.975/24.76	2.050/52.07	2.150/54.61	.144/3.66	.125/3.18	NO	

NOTE 3



NOTES:

- ALL BOARD HOLES $\varnothing .006/.15 \text{ } \textcircled{A} \text{ } \textcircled{B}$
- MATERIALS:
DIELECTRIC: LCP
CONTACTS: PHOS BRZ
FRAME: ZINC ALLOY #3
- PLATING:
SOLDER TAILS: 150u"/3.81um Sn Pb
FRAME: 100u"/2.54um Ni
CONTACT: 30u"/.76um GXT OVER 50u"/1.27um Ni
- LEAD FREE PLATING:
SOLDER TAILS: 150u"/3.81um Sn
FRAME: 100u"/2.54um Ni
CONTACT: 30u"/.76um GXT OVER 50u"/1.27um Ni
- ADD "LF" SUFFIX AT THE END OF PART NUMBER FOR LEAD FREE OPTION.
- IF "LF" P/N THE PRODUCT MEETS EUROPEAN UNION DIRECTIVES AND OTHER COUNTRY REGULATION AS DIRECTIVES AND OTHER COUNTRY REGULATION AS
- DO NOT REMOVE OPTIONAL PROCESSING CAP UNTIL SOLDERING IS COMPLETED.
- .002/.05 MAX BURR PERMITTED.

BOTTOM VIEW K

mat'l. code		surface	tolerance	projection	product family
ISO 1302		ISO 1302	ISO 406	MICROPAX	MICROPAX
ISO 1101		ISO 1101	ISO 1101		
ltr	ecn	no	dr	date	title
R					MICROPAX .025M VERT. PLUG DOUBLE MODULE
tolerances unless otherwise specified					dwg no
angles	linear	.XX±.01/3		89649	sheet 2 of 2 size A3
0°±2'		.XXX±.005/.13			
dr	L.POTTEIGER	4/16/91			
enrg	T.LEMKE	4/16/91			
chr	T.LEMKE	4/16/91			
appd	T.LEMKE	4/16/91			
sheet index	revision sheet	type Product Customer Drawing			