

# Fiber Optic Splice Module

## specifications

The fiber optic splice module (FOSM) shall house and protect fiber optic splices, guarantee proper fiber cable management and bend radius control, and allow for clear labeling and logical organization of the fiber optic splices. The FOSM shall support 24 fusion splices or 12 mechanical splices in one module and shall be compatible with all Panduit rack mounted fiber enclosures. Slacking and spooling shall be self-contained within the FOSM. The FOSM shall be self-stacking with a hinged clear cover.



## technical information

<b>Dimensions:</b>	FOSMF, FOSMM: 0.36"H x 13.9"W x 5.3"D (9.14mm x 352.81mm x 133.73mm)
<b>Mounting:</b>	Splice Module Holder for installation in FCE1U, FCE1UA, FCE2U and FCE4U (ordered separately) Mounting hardware included in FRME Fiber Rack Mount Enclosures Integral mounting points provided in FMT Fiber Mount Trays
<b>Accessories:</b>	Accessory kit with foam splice chips, cable ties, and labels included

## key features and benefits

<b>Houses up to 24 fusion splices or 12 mechanical splices in one module</b>	Uses common splice module for greater system flexibility and versatility
<b>Increased fiber splicing capacity</b>	Maximizes fiber density for fusion splicing applications
<b>Integral bend radius control</b>	Protects fiber from sharp corners or edges for improved network reliability
<b>Self-contained slacking and spooling</b>	Provides buffered fiber routing and storage within protected pathways for greater cable protection
<b>Self-stacking trays with interlocking hinge</b>	Eliminates need for external splice tray holder for faster installation
<b>Clear, hinged cover</b>	Enables inspection and access to splices for easier moves, adds, and changes
<b>Fits in all Panduit® Opticom® Rack Mount Enclosures</b>	Simplifies ordering with a versatile product that works in all Panduit FCE-U, FRME-U, and FMT series rack mount enclosures

## applications

The Panduit fiber optic splice module provides a flexible system for managing fiber optic splices. The FOSM is an upgrade component for all Panduit rack mount fiber enclosures. It is ideal for splicing OS1, OM1, OM2 and OM3/OM4 fiber to factory-terminated pigtails and is suitable for applications where fusion splicing yields installation time and labor cost benefits. The FOSM is also suitable for splicing long-run installations or very high bandwidth

applications that typically require singlemode fiber. The FOSM delivers fusion splicing capacity equal to enclosure termination capacity for greater system flexibility. Integral cable management, bend radius control, and slack management features protect fiber optic cables, pigtails, and splices to ensure end-to-end signal integrity for greater network reliability and lowest cost of ownership.

### Fiber Optic Splice Module

<b>Splice module (fusion):</b>	FOSMF
<b>Splice module (mechanical):</b>	FOSMM

### Opticom® Fiber Cassette Enclosures – FCE-U Series

<b>1 RU for 4 FAPs or cassettes (up to 96 fibers):</b>	FCE1U, FCE1UA
<b>2 RU for 8 FAPs or cassettes (up to 192 fibers):</b>	FCE2U
<b>4 RU for 12 FAPs or cassettes (up to 288 fibers):</b>	FCE4U

### Opticom® Rack Mount Fiber Enclosures – FRME-U Series

<b>1 RU for 3 FAPs (up to 72 fibers):</b>	FRME1U
<b>2 RU for 6 FAPs (up to 144 fibers):</b>	FRME2U

### Opticom® Rack Mount Fiber Trays – FMT Series

<b>1 RU for 4 FAPs (up to 96 fibers):</b>	FMT1
<b>2 RU for 8 FAPs (up to 192 fibers):</b>	FMT2

### Splice Module Holders for FCE-U Enclosures

<b>Splice module holder for FCE1U and for FCE1UA:</b>	FOSMH1U
<b>For FCE2U:</b>	FOSMH2U
<b>For FCE4U:</b>	FOSMH4U

### Fiber Optic Pigtails\*

<b>OS1 LC to pigtail: OM3/OM4</b>	F9B10-NM1Y
<b>LC to pigtail:</b>	FXB10-NM1Y
<b>OM2 LC to pigtail:</b>	F5B10-NM1Y
<b>OM1 LC to pigtail:</b>	F6B10-NM1Y
<b>OS1 SC to pigtail: OM3/OM4</b>	F9B3-NM1Y
<b>SC to pigtail:</b>	FXB3-NM1Y
<b>OM2 SC to pigtail:</b>	F5B3-NM1Y
<b>OM1 SC to pigtail:</b>	F6B3-NM1Y

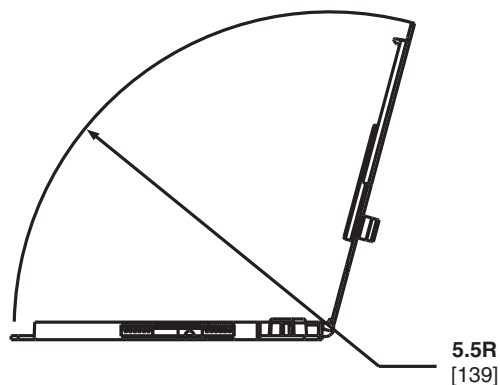
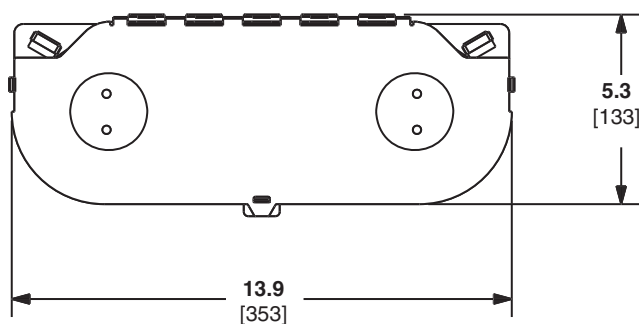
\*Additional lengths and availability: To order lengths other than 1m, replace the 1 after the "M" with the desired length. Pigtails are available in 1m, 2m, and 3m lengths as stock items. For other lengths, contact Panduit Customer Service for actual lead times and availability.

# Fiber Optic Splice Module

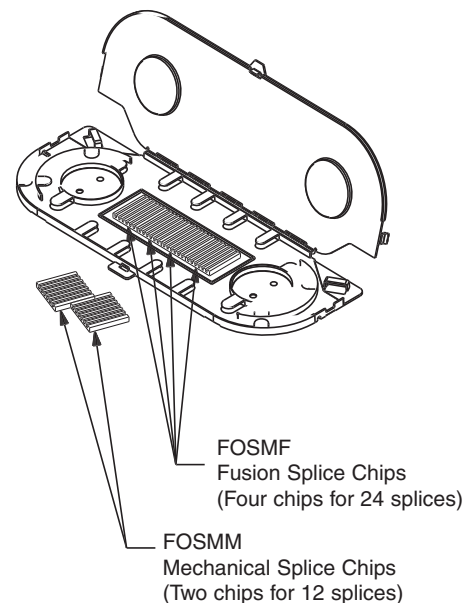
## Fiber Capacities

Rack Mount Fiber Enclosure	Number of FAP Openings	Maximum Number of Fibers	FOSMF Capacity	Maximum Number of Fusion Splices	FOSMM Capacity	Maximum Number of Mechanical Splices
FCE1U	4	96	4	96	4	48
FCE1UA	4	96	4	96	4	48
FCE2U	8	192	8	192	8	96
FCE4U	12	288	12	288	12	144
FRME1U	3	72	3	72	3	36
FRME2U	6	144	6	144	6	72
FMT1	4	96	4	96	4	48
FMT2	8	192	8	192	8	96

## FOSMF and FOSMM Overall Dimensions



### FOSMF and FOSMM Splice Chip Detail



Dimensions are in inches [Dimensions in brackets are metric]

### WORLDWIDE SUBSIDIARIES AND SALES OFFICES

PANDUIT CANADA  
Markham, Ontario  
cs-cdn@panduit.com  
Phone: 800.777.3300

PANDUIT EUROPE LTD.  
London, UK  
cs-emea@panduit.com  
Phone: 44.20.8601.7200

PANDUIT SINGAPORE PTE. LTD.  
Republic of Singapore  
cs-ap@panduit.com  
Phone: 65.6305.7575

PANDUIT JAPAN  
Tokyo, Japan  
cs-japan@panduit.com  
Phone: 81.3.6863.6000

PANDUIT LATIN AMERICA  
Jalisco, Mexico  
cs-la@panduit.com  
Phone: 52.33.3777.6000

PANDUIT AUSTRALIA PTY. LTD.  
Victoria, Australia  
cs-aus@panduit.com  
Phone: 61.3.9794.9020

For a copy of Panduit product warranties, log on to [www.panduit.com/warranty](http://www.panduit.com/warranty)

For more information

Visit us at [www.panduit.com](http://www.panduit.com)

Contact Customer Service by email: [cs@panduit.com](mailto:cs@panduit.com)  
or by phone: 800-777-3300 and reference RKSP41

©2009 Panduit Corp.  
ALL RIGHTS RESERVED.

WW-RKSP41

9/2009