

Fiber Optic Splice Module

specifications

The fiber optic splice module (FOSM) shall house and protect fiber optic splices, guarantee proper fiber cable management and bend radius control, and allow for clear labeling and logical organization of the fiber optic splices. The FOSM shall support 24 fusion splices or 12 mechanical splices in one module and shall be compatible with all Panduit rack mounted fiber enclosures. Slacking and spooling shall be self-contained within the FOSM. The FOSM shall be self-stacking with a hinged clear cover.



technical information

Dimensions:	FOSMF, FOSMM: 0.36"H x 13.9"W x 5.3"D (9.14mm x 352.81mm x 133.73mm)
Mounting:	Splice Module Holder for installation in FCE1U, FCE1UA, FCE2U and FCE4U (ordered separately) Mounting hardware included in FRME Fiber Rack Mount Enclosures Integral mounting points provided in FMT Fiber Mount Trays
Accessories:	Accessory kit with foam splice chips, cable ties, and labels included

key features and benefits

Houses up to 24 fusion splices or 12 mechanical splices in one module	Uses common splice module for greater system flexibility and versatility
Increased fiber splicing capacity	Maximizes fiber density for fusion splicing applications
Integral bend radius control	Protects fiber from sharp corners or edges for improved network reliability
Self-contained slacking and spooling	Provides buffered fiber routing and storage within protected pathways for greater cable protection
Self-stacking trays with interlocking hinge	Eliminates need for external splice tray holder for faster installation
Clear, hinged cover	Enables inspection and access to splices for easier moves, adds, and changes
Fits in all Panduit® Opticom® Rack Mount Enclosures	Simplifies ordering with a versatile product that works in all Panduit FCE-U, FRME-U, and FMT series rack mount enclosures

applications

The Panduit fiber optic splice module provides a flexible system for managing fiber optic splices. The FOSM is an upgrade component for all Panduit rack mount fiber enclosures. It is ideal for splicing OS1, OM1, OM2 and OM3/OM4 fiber to factory-terminated pigtailed and is suitable for applications where fusion splicing yields installation time and labor cost benefits. The FOSM is also suitable for splicing long-run installations or very high bandwidth

applications that typically require singlemode fiber. The FOSM delivers fusion splicing capacity equal to enclosure termination capacity for greater system flexibility. Integral cable management, bend radius control, and slack management features protect fiber optic cables, pigtailed, and splices to ensure end-to-end signal integrity for greater network reliability and lowest cost of ownership.

Fiber Optic Splice Module

Splice module (fusion):	FOSMF
Splice module (mechanical):	FOSMM

Opticom® Fiber Cassette Enclosures – FCE-U Series

1 RU for 4 FAPs or cassettes (up to 96 fibers):	FCE1U, FCE1UA
2 RU for 8 FAPs or cassettes (up to 192 fibers):	FCE2U
4 RU for 12 FAPs or cassettes (up to 288 fibers):	FCE4U

Opticom® Rack Mount Fiber Enclosures – FRME-U Series

1 RU for 3 FAPs (up to 72 fibers):	FRME1U
2 RU for 6 FAPs (up to 144 fibers):	FRME2U

Opticom® Rack Mount Fiber Trays – FMT Series

1 RU for 4 FAPs (up to 96 fibers):	FMT1
2 RU for 8 FAPs (up to 192 fibers):	FMT2

Splice Module Holders for FCE-U Enclosures

Splice module holder for FCE1U and for FCE1UA:	FOSMH1U
For FCE2U:	FOSMH2U
For FCE4U:	FOSMH4U

Fiber Optic Pigtails*

OS1 LC to pigtail: OM3/OM4	F9B10-NM1Y
LC to pigtail:	FXB10-NM1Y
OM2 LC to pigtail:	F5B10-NM1Y
OM1 LC to pigtail:	F6B10-NM1Y
OS1 SC to pigtail: OM3/OM4	F9B3-NM1Y
SC to pigtail:	FXB3-NM1Y
OM2 SC to pigtail:	F5B3-NM1Y
OM1 SC to pigtail:	F6B3-NM1Y

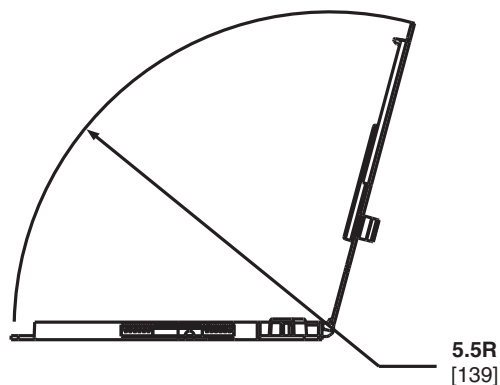
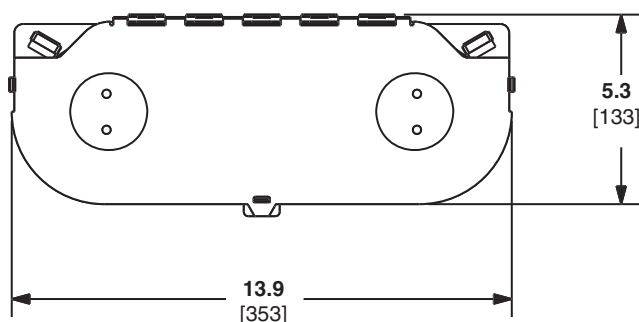
*Additional lengths and availability: To order lengths other than 1m, replace the 1 after the "M" with the desired length. Pigtails are available in 1m, 2m, and 3m lengths as stock items. For other lengths, contact Panduit Customer Service for actual lead times and availability.

Fiber Optic Splice Module

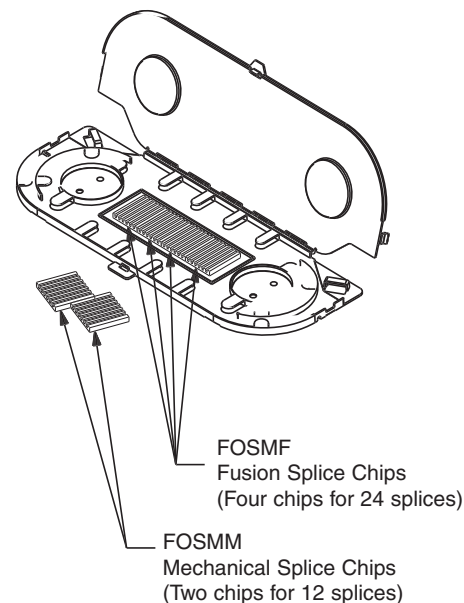
Fiber Capacities

Rack Mount Fiber Enclosure	Number of FAP Openings	Maximum Number of Fibers	FOSMF Capacity	Maximum Number of Fusion Splices	FOSMM Capacity	Maximum Number of Mechanical Splices
FCE1U	4	96	4	96	4	48
FCE1UA	4	96	4	96	4	48
FCE2U	8	192	8	192	8	96
FCE4U	12	288	12	288	12	144
FRME1U	3	72	3	72	3	36
FRME2U	6	144	6	144	6	72
FMT1	4	96	4	96	4	48
FMT2	8	192	8	192	8	96

FOSMF and FOSMM Overall Dimensions



FOSMF and FOSMM Splice Chip Detail



Dimensions are in inches [Dimensions in brackets are metric]

WORLDWIDE SUBSIDIARIES AND SALES OFFICES

PANDUIT CANADA
Markham, Ontario
cs-cdn@panduit.com
Phone: 800.777.3300

PANDUIT EUROPE LTD.
London, UK
cs-emea@panduit.com
Phone: 44.20.8601.7200

PANDUIT SINGAPORE PTE. LTD.
Republic of Singapore
cs-ap@panduit.com
Phone: 65.6305.7575

PANDUIT JAPAN
Tokyo, Japan
cs-japan@panduit.com
Phone: 81.3.6863.6000

PANDUIT LATIN AMERICA
Jalisco, Mexico
cs-la@panduit.com
Phone: 52.33.3777.6000

PANDUIT AUSTRALIA PTY. LTD.
Victoria, Australia
cs-aus@panduit.com
Phone: 61.3.9794.9020

For a copy of Panduit product warranties, log on to www.panduit.com/warranty

For more information

Visit us at www.panduit.com

Contact Customer Service by email: cs@panduit.com
or by phone: 800-777-3300 and reference RKSP41

PANDUIT[®]

©2009 Panduit Corp.
ALL RIGHTS RESERVED.

WW-RKSP41

9/2009