

THIS DRAWING IS UNPUBLISHED.
 © COPYRIGHT

RELEASED FOR PUBLICATION
 ALL RIGHTS RESERVED.

LOC HB
 DIST

REVISIONS

P	LTR	DESCRIPTION	DATE	DWN	APVD
B1		REVISED PER ECO-11-005140	29MAR11	RK	HMR

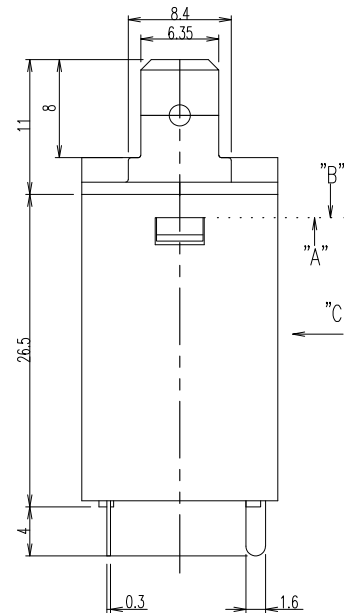
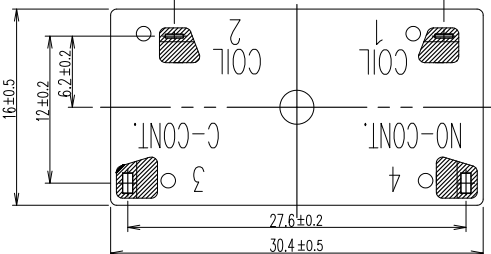
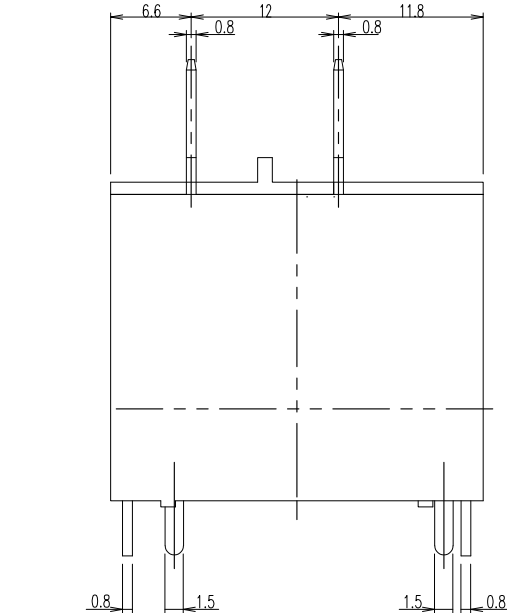
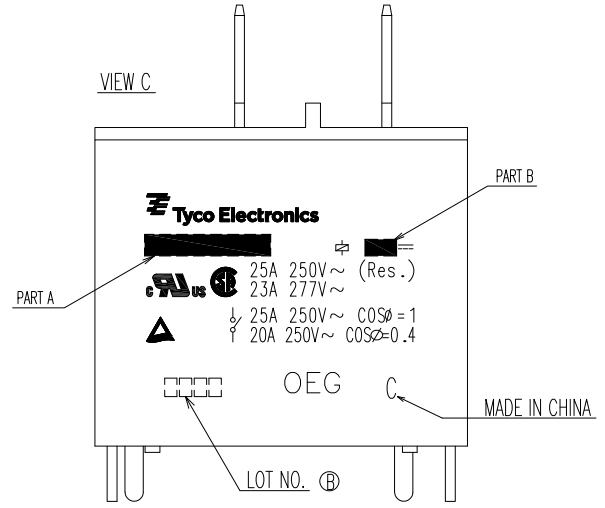


Diagram dimension	Tolerance
0.99mm max.	±0.1mm
1 - 2.99mm	±0.2mm
3mm min.	±0.3mm

NOTE:
 LOT NO. SYSTEM AS FOLLOWING:

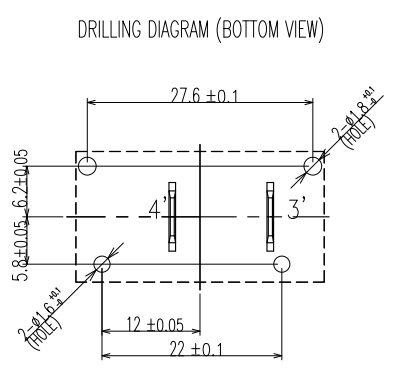
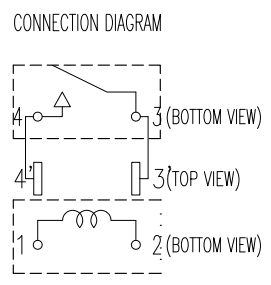
 WEEK
 YEAR



DIMENSIONS: mm MATERIAL SEE MATERIAL TABLE	TOLERANCES UNLESS OTHERWISE SPECIFIED: 0 P/LC ±±±±± 1 P/LC ±±±±± 2 P/LC ±±±±± 3 P/LC ±±±±± 4 P/LC ±±±±± MISC ±±±±±	DWN	H.SASAKI	TE Connectivity NAME PCF-D1M CUSTOMER DRAWING					
		CHK	N.FUNAYAMA		RESTRICTED TO				
		APVD	A.NAGAI	SIZE	A3	CAGE CODE	00779	DRAWING NO	2-1419146-1
		PRODUCT SPEC	-	WEIGHT	-	SCALE	3:1	SHEET	1 of 2
		APPLICATION SPEC	-	CUSTOMER DRAWING	-	REV	B1		

THIS DRAWING IS UNPUBLISHED. RELEASED FOR PUBLICATION ALL RIGHTS RESERVED.
 © COPYRIGHT

LOC	DIST	REVISIONS						
HB		P	LTR	DESCRIPTION	ECN	DATE	DWN	APVD



PART NO	DESCRIPTION	PART B	PART A	ITEM
2-1419146-4	PCF-148D1M,000	48V	PCF-148D1M	f
9-1419129-5	PCF-124D1M,000	24V	PCF-124D1M	e
9-1419129-2	PCF-112D1M,000	12V	PCF-112D1M	d
2-1419146-3	PCF-109D1M,000	9V	PCF-109D1M	c
2-1419146-2	PCF-106D1M,000	6V	PCF-106D1M	b
2-1419146-1	PCF-105D1M,000	5V	PCF-105D1M	a

RELAY TYPE

		EPOXY RESIN	SEAL	ITEM	
		POLYURETHANE	Cu WIRE	MAGNETIC WIRE	17
UL 94V-0		PPS		CARD	16
UL 94V-0		PBT		CASE	15
UL 94V-0		PBT		BASE	14
UL 94V-0		PBT		BOBBIN	13
	SOLDER DIP	Cu ALLOY		COIL TERMINAL R	12
	SOLDER DIP	Cu ALLOY		COIL TERMINAL L	11
		STAINLESS		HINGE SPRING	10
		Ag ALLOY		STATIONARY CONTACT	9
		Ag ALLOY		MOVABLE CONTACT	8
		Cu ALLOY		STATIONARY SPRING	7
		Cu ALLOY		MOVABLE SPRING	6
	SOLDER DIP	Cu ALLOY		STATIONARY TERMINAL	5
	SOLDER DIP	Cu ALLOY		MOVABLE TERMINAL	4
	Ni PLATED	STEEL		CORE	3
	Ni PLATED	STEEL		ARMATURE	2
	Ni PLATED	STEEL		YOKE	1

DIMENSIONS: mm		TOLERANCES UNLESS OTHERWISE SPECIFIED:		DWN	TE Connectivity PCF-D1M CUSTOMER DRAWING
		0 PLC	++	CHK	
MATERIAL: SEE MATERIAL TABLE		1 PLC	++	APVD	
		2 PLC	++	PRODUCT SPEC	
		3 PLC	++	APPLICATION SPEC	NAME
		4 PLC	++	WEIGHT	SIZE: A3
		FINISH	-	CUSTOMER DRAWING	CAGE CODE: 00779
					DRAWING NO: 2-1419146-1
					RESTRICTED TO: -
					SCALE: 3:1
					SHEET: 2 of 2
					REV: B1