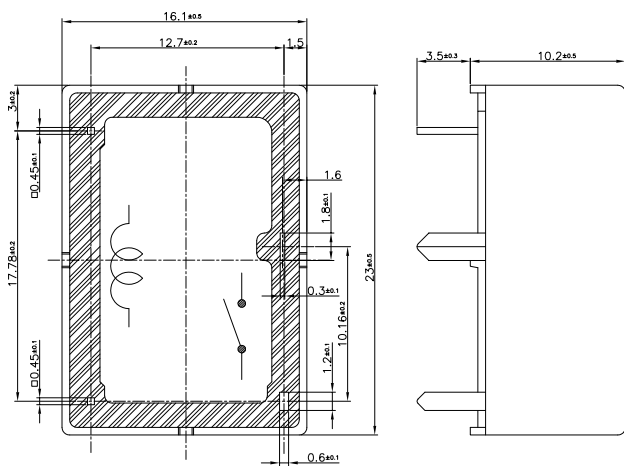
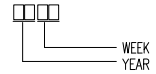


THIS DRAWING IS UNPUBLISHED. RELEASED FOR PUBLICATION
 © COPYRIGHT BY TYCO ELECTRONICS CORPORATION. ALL INTERNATIONAL RIGHTS RESERVED.

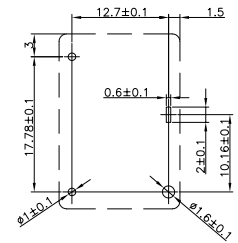
LOC		DIST		REVISIONS			
P	LTR	DESCRIPTION		DATE	DWN	APVD	
HB	-	A1	RELEASE	10-Jun-10	HXL	YBH	



NOTES:
 1. TERMINAL DIMENSION BEFORE TINNING.
 2. LOT NO. SYSTEM AS FOLLOWING:



DRILLING DIAGRAM(BOTTOM VIEW)(1/2)



CONNECTION DIAGRAM(2/1)

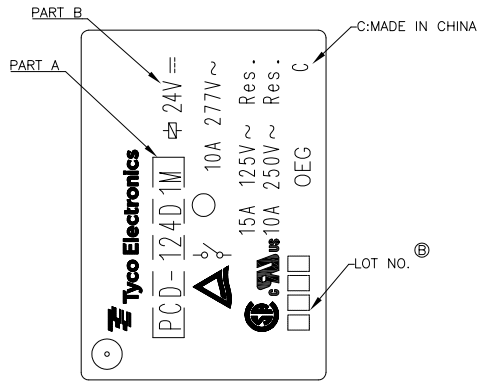
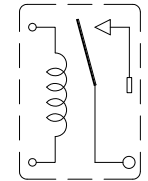


Diagram dimension	Tolerance
0.99mm max.	±0.1mm
1 - 2.99mm	±0.2mm
3mm min.	±0.3mm

THIS DRAWING IS A CONTROLLED DOCUMENT.		DWN: Hu,xieli 08JUN2010		Tyco Electronics Corporation Shenzhen,China	
DIMENSIONS: mm		CHK: Yu,Banghua		NAME: PCD-124D1M 010 & 030 CUSTOMER DRAWING	
TOLERANCES UNLESS OTHERWISE SPECIFIED:		APVD: Zhang,Sunny		SIZE: A3	
0 PLC ± ±		PRODUCT SPEC: -		CAGE CODE: 00779	
1 PLC ± ±		APPLICATION SPEC: -		DRAWING NO: 4-1419126-6	
2 PLC ± ±		WEIGHT: -		RESTRICTED TO: PESG	
3 PLC ± ±		MATERIAL: -		SCALE: 4:1	
4 PLC ± ±		FINISH: -		SHEET: 1 of 2	
ANGLES ± -		RESTRICTED CUSTOMER		REV: A1	

4

3

2

1

THIS DRAWING IS UNPUBLISHED. RELEASED FOR PUBLICATION
 © COPYRIGHT BY TYCO ELECTRONICS CORPORATION. ALL INTERNATIONAL RIGHTS RESERVED.

LOC	DIST	REVISIONS			
P	LTR	DESCRIPTION	DATE	DWN	APVD
-	-	SEE SHEET 1	-	-	-

3-1419153-2	PCD-124D1M,030	24V	PCD-124D1M	b
4-1419126-6	PCD-124D1M,010	24V	PCD-124D1M	a
TE PART NO	EC TYPE NAME	PART B	PART A	TYPE

RELAY TYPE

		POLYURETHANE CU WIRE	MAGNETIC WIRE	15
		EPOXY RESIN	SEAL	14
		STAINLESS	HINGE SPRING	13
	SOLDER DIP	Cu ALLOY	COIL TERMINAL	12
		Ag ALLOY	STATIONARY CONTACT	11
		Ag ALLOY	MOVABLE CONTACT	10
	SOLDER DIP	Cu ALLOY	STATIONARY TERMINAL	9
		Cu ALLOY	MOVABLE SPRING	8
	SOLDER DIP	Cu ALLOY	MOVABLE TERMINAL	7
UL 94V-0		PBT	CASE	6
UL 94V-0		PBT	BOBBIN	5
UL 94V-0		PBT	BASE	4
	Ni PLATED	STEEL	CORE	3
	Ni PLATED	STEEL	ARMATURE	2
	Ni PLATED	STEEL	YOKE	1
INCOMBUSTIBILITY	TREATMENT	MATERIAL	DESCRIPTION	ITEM

THIS DRAWING IS A CONTROLLED DOCUMENT.

DWN Hu,xieli	06JUN2010	Tyco Electronics Corporation Shenzhen,China	
CHK Yu,Banghua	-	NAME PCD-124D1M 010 & 030 CUSTOMER DRAWING	
APVD Zhang,Sunny	-	SIZE A3	RESTRICTED TO PESG
PRODUCT SPEC -	-	CAGE CODE 00779	SCALE 4:1
APPLICATION SPEC -	-	DRAWING NO 4-1419126-6	SHEET 2 of 2
WEIGHT -	-	REV A1	RESTRICTED CUSTOMER

DIMENSIONS:	TOLERANCES UNLESS OTHERWISE SPECIFIED:
mm	
	0 PLC ± -
	1 PLC ± -
	2 PLC ± -
	3 PLC ± -
	4 PLC ± -
	ANGLES ± -
MATERIAL	FINISH
-	-