



BDW93C BDW94B/BDW94C

COMPLEMENTARY SILICON POWER DARLINGTON TRANSISTORS

- STMicroelectronics PREFERRED SALESTYPES
- COMPLEMENTARY PNP - NPN DEVICES
- INTEGRATED ANTIPARALLEL COLLECTOR-EMITTER DIODE

APPLICATIONS

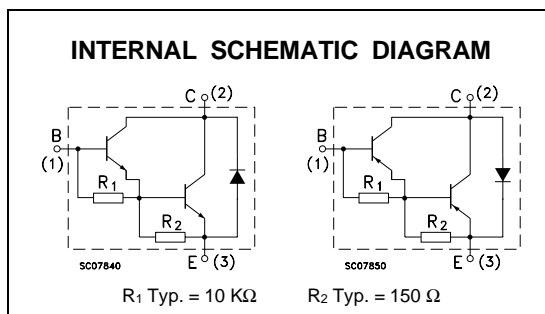
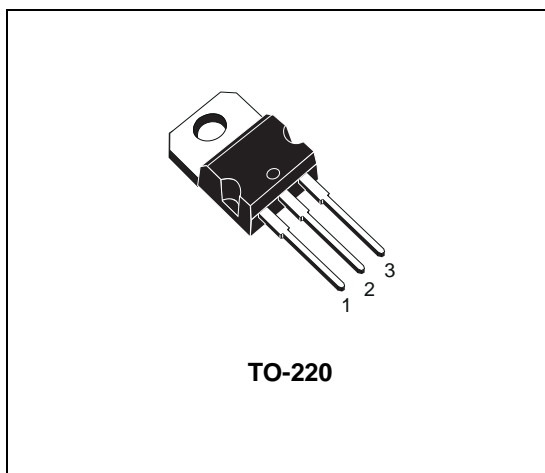
- LINEAR AND SWITCHING INDUSTRIAL EQUIPMENT

DESCRIPTION

The BDW93C is a silicon Epitaxial-Base NPN power transistor in monolithic Darlington configuration mounted in Jedec TO-220 plastic package. It is intended for use in power linear and switching applications.

The complementary PNP type is BDW94C.

Also BDW94B is a PNP type.



ABSOLUTE MAXIMUM RATINGS

Symbol	Parameter	Value		Unit
		NPN	BDW93C	
		PNP	BDW94C	
V _{CB0}	Collector-Base Voltage (I _E = 0)	80	100	V
V _{CEO}	Collector-Emitter Voltage (I _B = 0)	80	100	V
I _C	Collector Current	12		A
I _{CM}	Collector Peak Current	15		A
I _B	Base Current	0.2		A
P _{tot}	Total Dissipation at T _c ≤ 25 °C	80		W
T _{stg}	Storage Temperature	-65 to 150		°C
T _j	Max. Operating Junction Temperature	150		°C

For PNP types voltage and current values are negative.

BDW93C/BDW94B/BDW94C

THERMAL DATA

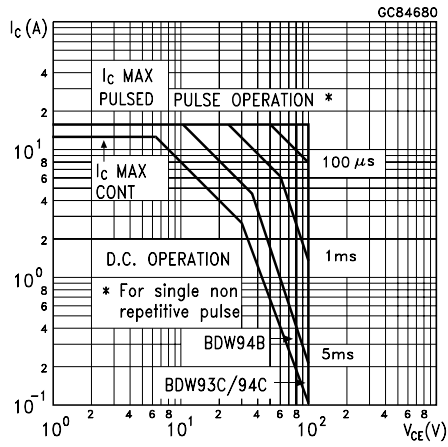
$R_{thj-case}$	Thermal Resistance Junction-case	1.56	°C/W
----------------	----------------------------------	------	------

ELECTRICAL CHARACTERISTICS ($T_{case} = 25\text{ °C}$ unless otherwise specified)

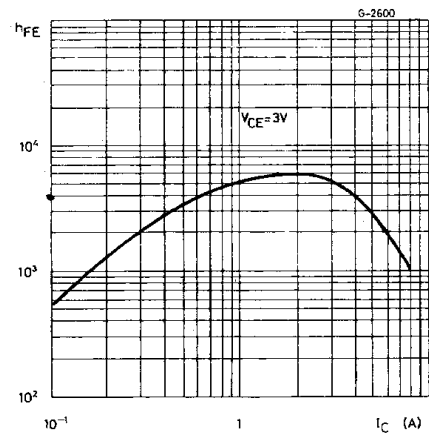
Symbol	Parameter	Test Conditions	Min.	Typ.	Max.	Unit
I_{CBO}	Collector Cut-off Current ($I_E = 0$)	for BDW94B $V_{CB} = 80\text{ V}$ for BDW93C/94C $V_{CB} = 100\text{ V}$ $T_{case} = 150\text{ °C}$ for BDW94B $V_{CB} = 80\text{ V}$ for BDW93C/94C $V_{CB} = 100\text{ V}$			100 100 5 5	μA μA mA mA
I_{CEO}	Collector Cut-off Current ($I_B = 0$)	for BDW94B $V_{CE} = 80\text{ V}$ for BDW93C/94C $V_{CE} = 100\text{ V}$			1 1	mA mA
I_{EBO}	Emitter Cut-off Current ($I_C = 0$)	$V_{EB} = 5\text{ V}$			2	mA
$V_{CEO(sus)*}$	Collector-Emitter Sustaining Voltage ($I_B = 0$)	$I_C = 100\text{ mA}$ for BDW94B for BDW93C/94C	80 100			V V
$V_{CE(sat)*}$	Collector-Emitter Saturation Voltage	$I_C = 5\text{ A}$ $I_B = 20\text{ mA}$ $I_C = 10\text{ A}$ $I_B = 100\text{ mA}$			2 3	V V
$V_{BE(sat)*}$	Base-Emitter Saturation Voltage	$I_C = 5\text{ A}$ $I_B = 20\text{ mA}$ $I_C = 10\text{ A}$ $I_B = 100\text{ mA}$			2.5 4	V V
h_{FE*}	DC Current Gain	$I_C = 3\text{ A}$ $V_{CE} = 3\text{ V}$ $I_C = 5\text{ A}$ $V_{CE} = 3\text{ V}$ $I_C = 10\text{ A}$ $V_{CE} = 3\text{ V}$	1000 750 100		20K	
V_F^*	Parallel-diode Forward Voltage	$I_F = 5\text{ A}$ $I_F = 10\text{ A}$		1.3 1.8	2 4	V V
h_{fe}	Small Signal Current Gain	$I_C = 1\text{ A}$ $V_{CE} = 10\text{ V}$ $f = 1\text{ MHz}$	20			

* Pulsed: Pulse duration = 300 μs , duty cycle 1.5 %
For PNP types voltage and current values are negative.

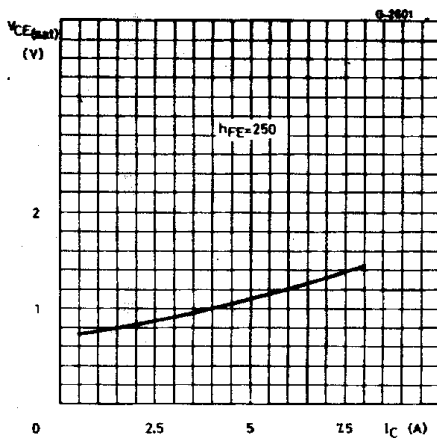
Safe Operating Area



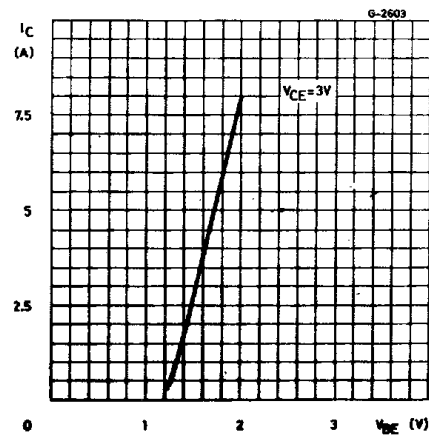
DC Current Gain (NPN types)



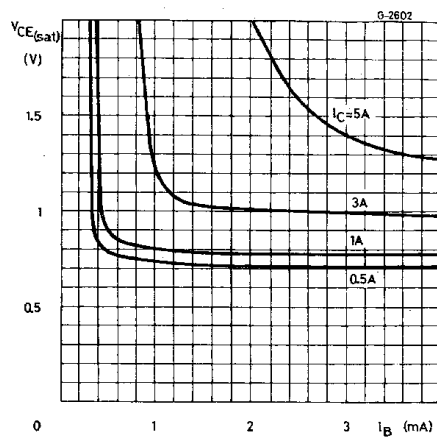
Collector Emitter Saturation Voltage (NPN types)



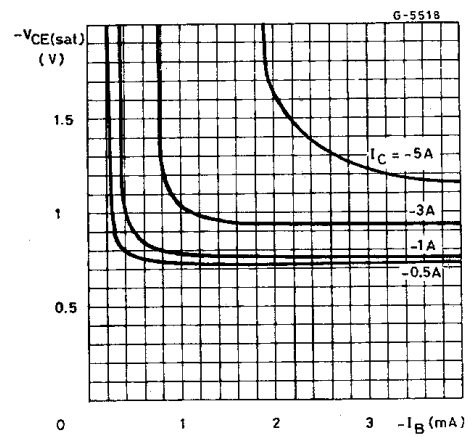
DC Transconductance (NPN types)



Collector Emitter Saturation Voltage (NPN types)

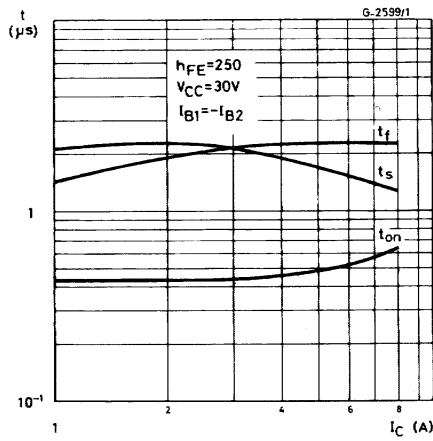


Collector Emitter Saturation Voltage (PNP types)

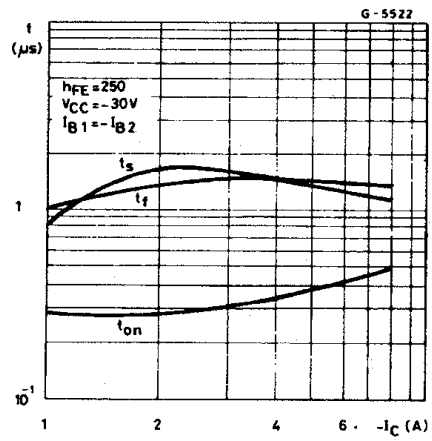


BDW93C/BDW94B/BDW94C

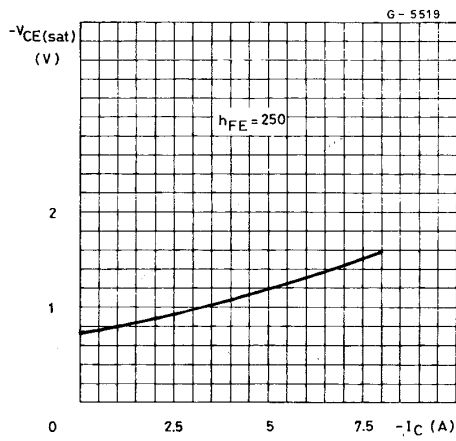
Saturated Switching Characteristics (NPN types)



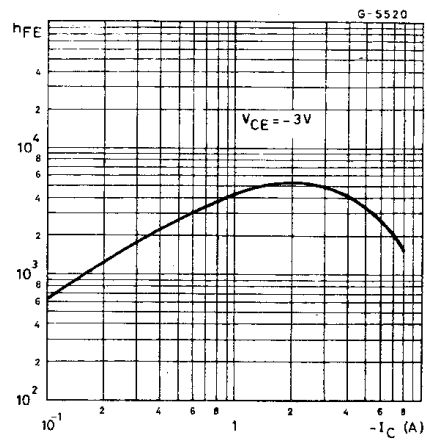
Saturated Switching Characteristics (PNP types)



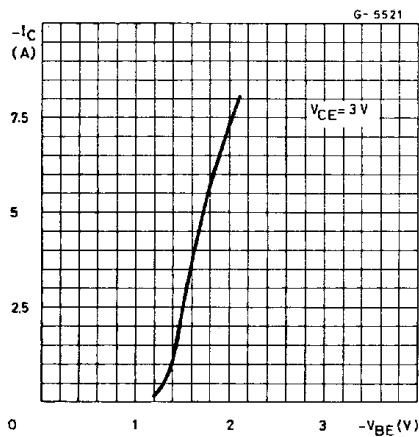
Collector Emitter Saturation Voltage (PNP types)



DC Current Gain (PNP types)

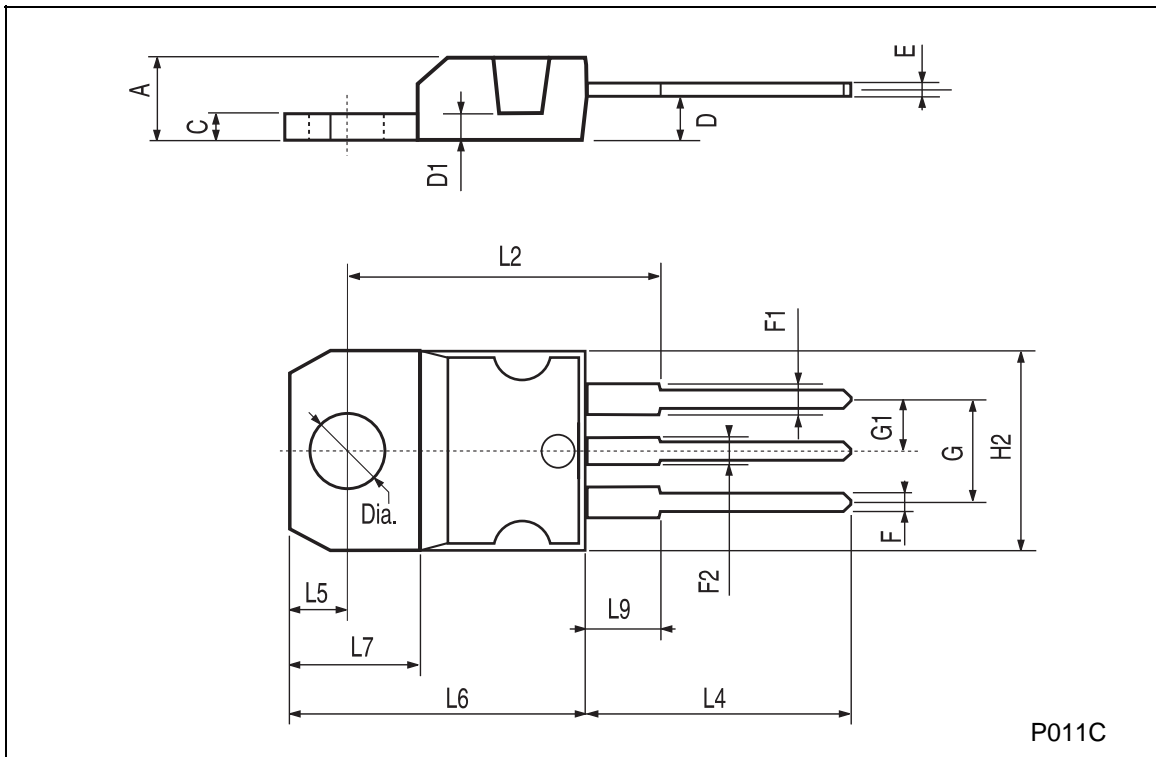


DC Transconductance (PNP types)



TO-220 MECHANICAL DATA

DIM.	mm			inch		
	MIN.	TYP.	MAX.	MIN.	TYP.	MAX.
A	4.40		4.60	0.173		0.181
C	1.23		1.32	0.048		0.051
D	2.40		2.72	0.094		0.107
D1		1.27			0.050	
E	0.49		0.70	0.019		0.027
F	0.61		0.88	0.024		0.034
F1	1.14		1.70	0.044		0.067
F2	1.14		1.70	0.044		0.067
G	4.95		5.15	0.194		0.203
G1	2.4		2.7	0.094		0.106
H2	10.0		10.40	0.393		0.409
L2		16.4			0.645	
L4	13.0		14.0	0.511		0.551
L5	2.65		2.95	0.104		0.116
L6	15.25		15.75	0.600		0.620
L7	6.2		6.6	0.244		0.260
L9	3.5		3.93	0.137		0.154
DIA.	3.75		3.85	0.147		0.151



Information furnished is believed to be accurate and reliable. However, STMicroelectronics assumes no responsibility for the consequences of use of such information nor for any infringement of patents or other rights of third parties which may result from its use. No license is granted by implication or otherwise under any patent or patent rights of STMicroelectronics. Specification mentioned in this publication are subject to change without notice. This publication supersedes and replaces all information previously supplied. STMicroelectronics products are not authorized for use as critical components in life support devices or systems without express written approval of STMicroelectronics.

The ST logo is a trademark of STMicroelectronics

© 1999 STMicroelectronics – Printed in Italy – All Rights Reserved
STMicroelectronics GROUP OF COMPANIES

Australia - Brazil - China - Finland - France - Germany - Hong Kong - India - Italy - Japan - Malaysia - Malta - Morocco -
Singapore - Spain - Sweden - Switzerland - United Kingdom - U.S.A.

<http://www.st.com>