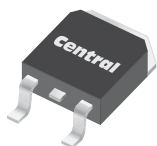


CJD122 NPN
CJD127 PNP

**SURFACE MOUNT
COMPLEMENTARY SILICON
POWER DARLINGTON TRANSISTORS**

**DPAK
POWER!**



DPAK TRANSISTOR CASE

Central
Semiconductor Corp.

www.centrasemi.com

DESCRIPTION:

The CENTRAL SEMICONDUCTOR CJD122, CJD127 types are Complementary Silicon Power Darlington Transistors manufactured in a surface mount package designed for low speed switching and amplifier applications.

MARKING: FULL PART NUMBER

MAXIMUM RATINGS: (T _C =25°C unless otherwise noted)	SYMBOL		UNITS
Collector-Base Voltage	V _{CBO}	100	V
Collector-Emitter Voltage	V _{CEO}	100	V
Emitter-Base Voltage	V _{EBO}	5.0	V
Continuous Collector Current	I _C	8.0	A
Peak Collector Current	I _{CM}	16	A
Continuous Base Current	I _B	120	mA
Power Dissipation	P _D	20	W
Power Dissipation (T _A =25°C)	P _D	1.75	W
Operating and Storage Junction Temperature	T _J , T _{stg}	-65 to +150	°C
Thermal Resistance	θ _{JC}	6.25	°C/W
Thermal Resistance	θ _{JA}	71.4	°C/W

ELECTRICAL CHARACTERISTICS: (T _C =25°C unless otherwise noted)				
SYMBOL	TEST CONDITIONS	MIN	MAX	UNITS
I _{CEO}	V _{CE} =50V		10	μA
I _{CEV}	V _{CE} =100V, V _{BE(off)} =1.5V		10	μA
I _{CEV}	V _{CE} =100V, V _{BE(off)} =1.5V, T _C =125°C		500	μA
I _{CBO}	V _{CB} =100V		10	μA
I _{EBO}	V _{EB} =5.0V		2.0	mA
BV _{CEO}	I _C =30mA	100		V
V _{CE(SAT)}	I _C =4.0A, I _B =16mA		2.0	V
V _{CE(SAT)}	I _C =8.0A, I _B =80mA		4.0	V
V _{BE(SAT)}	I _C =8.0A, I _B =80mA		4.5	V
V _{BE(ON)}	V _{CE} =4.0V, I _C =4.0A		2.8	V
h _{FE}	V _{CE} =4.0V, I _C =4.0A	1000	12000	
h _{FE}	V _{CE} =4.0V, I _C =8.0A	100		
f _T	V _{CE} =4.0V, I _C =3.0A, f=1.0MHz	4.0		MHz
C _{ob}	V _{CB} =10V, I _E =0, f=1.0MHz (CJD122)		200	pF
C _{ob}	V _{CB} =10V, I _E =0, f=1.0MHz (CJD127)		300	pF
h _{fe}	V _{CE} =4.0V, I _C =3.0A, f=1.0kHz		300	

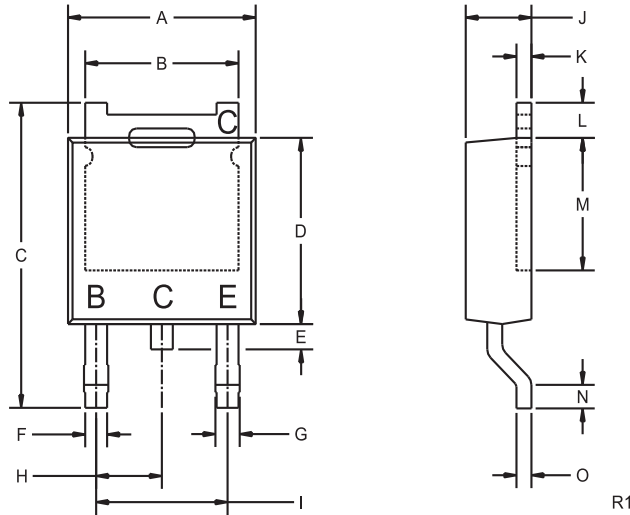
R2 (4-January 2010)

CJD122 NPN
CJD127 PNP

**SURFACE MOUNT
COMPLEMENTARY SILICON
POWER DARLINGTON TRANSISTORS**



DPAK TRANSISTOR CASE - MECHANICAL OUTLINE



DIMENSIONS				
SYMBOL	INCHES		MILLIMETERS	
	MIN	MAX	MIN	MAX
A	0.250	0.265	6.35	6.73
B	0.205	0.215	5.21	5.46
C	0.374	0.409	9.50	10.40
D	0.235	0.245	5.97	6.22
E	0.025	0.040	0.64	1.02
F	0.025	0.035	0.64	0.88
G	0.030	0.045	0.76	1.14
H	0.090		2.28	
I	0.180		4.57	
J	0.086	0.094	2.19	2.38
K	0.018	0.023	0.46	0.58
L	0.040	0.050	1.02	1.27
M	0.170	-	4.32	-
N	0.020	-	0.51	-
O	0.018	0.023	0.46	0.58

LEAD CODE:
B) BASE
C) COLLECTOR
E) EMITTER
C) COLLECTOR

MARKING:
FULL PART NUMBER

DPAK TRANSISTOR (REV: R1)

R2 (4-January 2010)