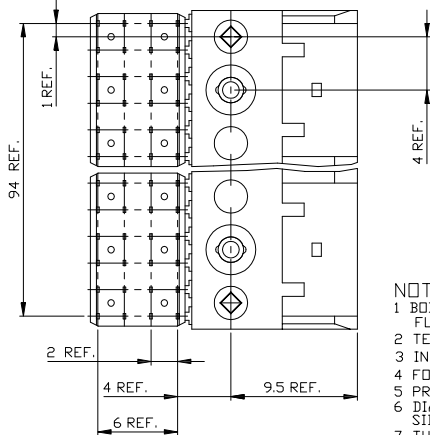
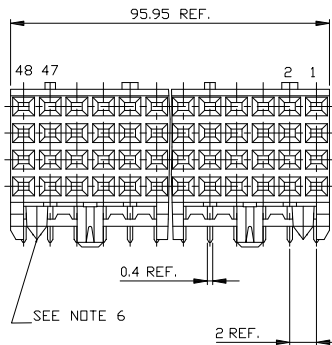
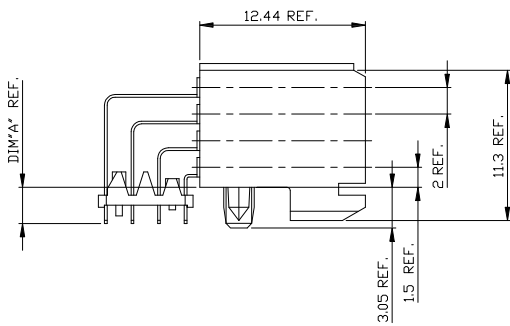


PC BOARD VERSIONS		
PRODUCTNR:	PCB THICKNESS	DIM"A"
89038-X01/X01LF	1.6	2.90
89038-X11/X11LF	2.4	3.53

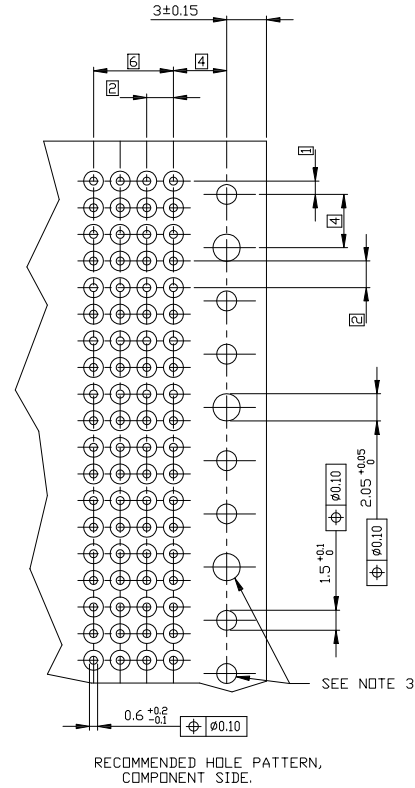


PRODUCT AFTER PC BOARD APPLICATION.

PC BOARD THICKNESS ±0.20

NOTES:

- 1 BODY MAT'L: LIQUID CRYSTAL POLYMER 30% GLASS FLAME RETARDANT ACC. UL 94-V0
- 2 TERMINAL MATERIAL: PHOSPHOR BRONZE.
- 3 INDICATED HOLES ARE UNPLATED.
- 4 FOR PLATING SPEC, REFER TO DRAWING 10097866.
- 5 PRODUCT MARKING: PARTNUMBER & BATCH ID.
- 6 DIAMOND LOCATION PEG ARE ONLY EXISTED ON THE BOTH T. SIDES OF PRODUCT
- 7 THIS PRODUCT MEETS EUROPEAN UNION DIRECTIVES AND OTHER COUNTRY REGULATIONS AS DESCRIBED IN GS-22-008. THE HOUSING WILL WITHSTAND EXPOSURE TO 260DEGREE PEAK TEMPERATURE FOR 10 SECONDS IN A WAVE SOLDER APPLICATION.
- 8



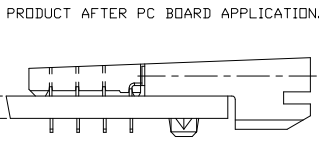
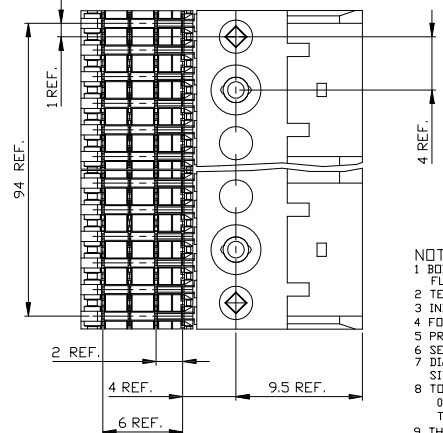
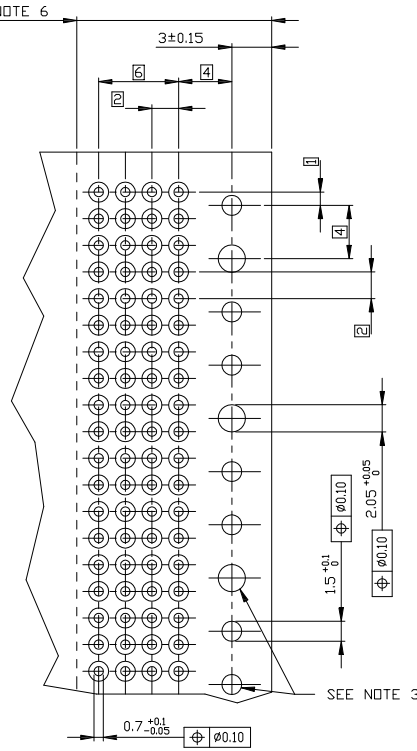
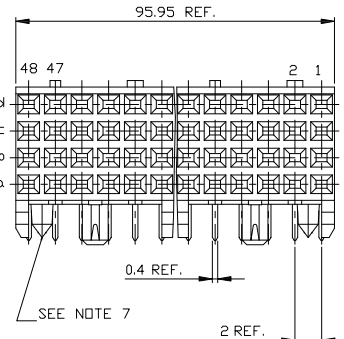
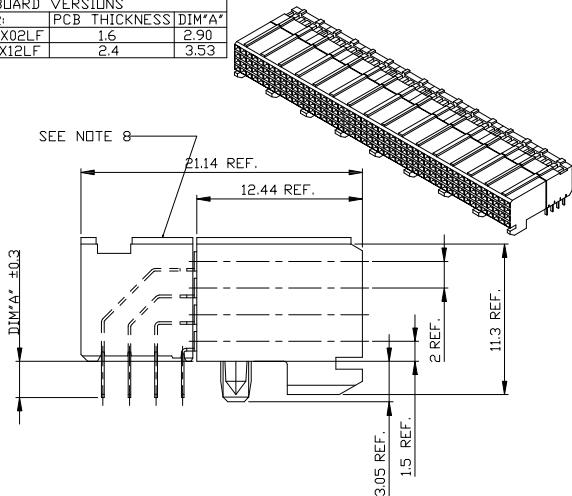
RECOMMENDED HOLE PATTERN, COMPONENT SIDE.

PLATING CONTACT AREA:	
DASH NR:	PERFORMANCE LEVEL
-1YY/1YYLF	TELCORDIA CO
-2YY/2YYLF	CUSTOMER SPECIAL
-3YY/3YYLF	CUSTOMER SPECIAL

mat'l code	tolerances unless otherwise specified	CUSTOMER COPY	FCI	www.fciconnection
l	linear	projection	title	RA FEMALE SIGNAL
J	linear	projection	title	96 mm PRESS PEG
K	linear	projection	title	product family METAL(tn)
L	linear	projection	title	code
M	linear	projection	title	code
N	linear	projection	title	code
H	linear	projection	title	code
sheet	revision	scale	size	sheet
index	sheet	scale	size	sheet

All rights strictly reserved. Reproduction or translation in any form is prohibited without written permission from FCI Inc. © FCI Inc.

PC BOARD VERSIONS		
PRODUCTNR:	PCB THICKNESS	DIM'A*
89038-X02/X02LF	1.6	2.90
89038-X12/X12LF	2.4	3.53



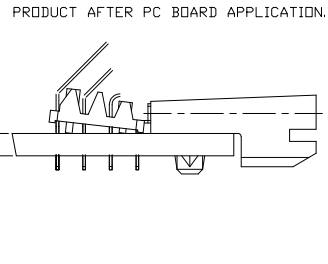
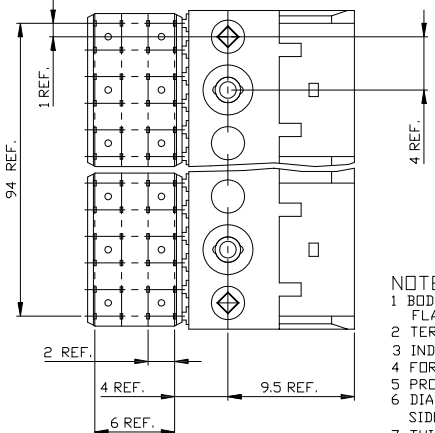
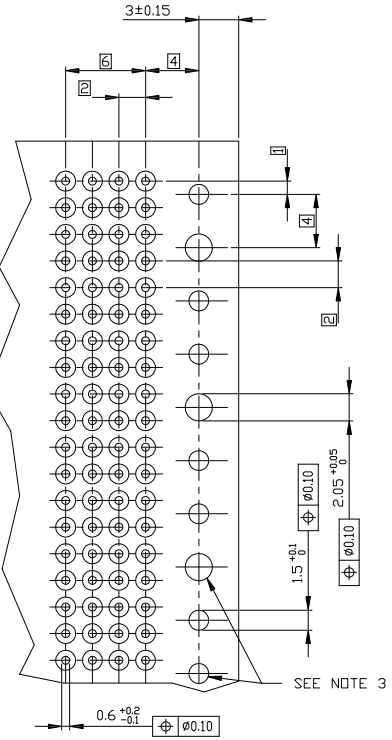
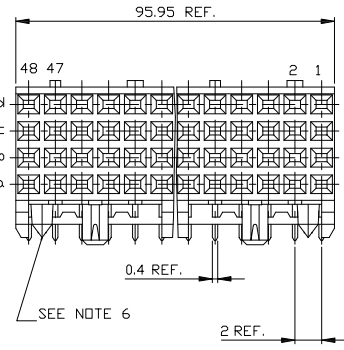
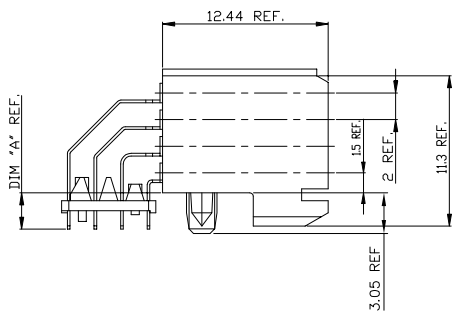
- NOTES:**
- 1 BODY MAT'L: LIQUID CRYSTAL POLYMER 30% GLASS  
FLAME RETARDANT ACC. UL 94-V0
  - 2 TERMINAL MATERIAL: PHOSPHOR BRONZE.
  - 3 INDICATED HOLES ARE UNPLATED.
  - 4 FOR PLATING SPEC, REFER TO DRAWING 10097866.
  - 5 PRODUCT MARKING: PARTNUMBER & BATCH ID.
  - 6 SET BACK FOR PRESS BLOCK.
  - 7 DIAMOND LOCATION PEG ARE ONLY EXISTED ON THE BOTH SIDES OF PRODUCT.
  - 8 TOP SURFACE OF PRESS BLOCK MAY EXTEND UP TO 0.4MM HIGHER THAN HOUSING. THIS MAY AFFECT THE TAIL LENGTH BEFORE APPLICATION TO A BOARD.
  - 9 THIS PRODUCT MEETS EUROPEAN UNION DIRECTIVES AND OTHER COUNTRY REGULATIONS AS DESCRIBED IN GS-22-008
  - 10 THE HOUSING WILL WITHSTAND EXPOSURE TO 260DEGREE PEAK TEMPERATURE FOR 10 SECONDS IN A WAVE SOLDER APPLICATION.

PLATING CONTACT AREA:	
DASH NR:	PERFORMANCE LEVEL
-1YY/1YYLF	TELCORDIA CO
-2YY/2YYLF	CUSTOMER SPECIAL
-3YY/3YYLF	CUSTOMER SPECIAL

mat'l. code	tolerances unless otherwise specified	CUSTOMER COPY	FCI
ltn	ecr	ngdr	date
linear	projection	title	RA FEMALE SIGNAL
angles	mm	product family	METRAL(tn)
dr	J. de Bl.	970529	scale
engr	P. Schuk	970529	51
chr	P. Schuk	970529	scale
app	H. Caspers	970529	51
sheet	revision		
index	sheet		

All rights strictly reserved. Reproduction or translation in any form without the prior written permission of FCI is prohibited.  
 All rights strictly reserved. Reproduction or translation in any form without the prior written permission of FCI is prohibited.  
 All rights strictly reserved. Reproduction or translation in any form without the prior written permission of FCI is prohibited.

PC BOARD VERSIONS		
PRODUCT NR:	PCB THICKNESS	DIM "A"
89038-X03/X03LF	1,6	2,90
89038-X13/X13LF	2,4	3,53



- NOTES:**
- 1 BODY MAT'L: LIQUID CRYSTAL POLYMER 30% GLASS FLAME RETARDANT ACC. UL 94-V0
  - 2 TERMINAL MATERIAL: PHOSPHOR BRONZE.
  - 3 INDICATED HOLES ARE UNPLATED.
  - 4 FOR PLATING SPEC, REFER TO DRAWING 10097866.
  - 5 PRODUCT MARKING: PARTNUMBER & BATCH ID.
  - 6 DIAMOND LOCATION PEG ARE ONLY EXISTED ON THE BOTH SIDES OF PRODUCT.
  - 7 THIS PRODUCT MEETS EUROPEAN UNION DIRECTIVES AND OTHER COUNTRY REGULATIONS AS DESCRIBED IN GS-22-008
  - 8 THE HOUSING WILL WITHSTAND EXPOSURE TO 260DEGREE PEAK TEMPERATURE FOR 10 SECONDS IN A WAVE SOLDER APPLICATION.

PLATING CONTACT AREA:	
DASH NR:	PERFORMANCE LEVEL
-1YY/1YYLF	TELCORDIA CO
-2YY/2YYLF	CUSTOMER SPECIAL
-3YY/3YYLF	CUSTOMER SPECIAL

mat'l code		tolerances unless otherwise specified		CUSTOMER COPY		FCI	
tr	ecn	ndar	date	linear	projection	title	RA FEMALE SIGNAL
				angles	1st	96 mm PRESS PEG	
dr	Heaven	Gen	11/23/06	mm	product family	METAL(tn)	code
engr	Colts	Lu	11/23/06	1	size	89038	213
chr	Beer	Fu	11/23/06	scale	dwg no		sheet
app	Joseph	Hals	11/23/06	51	A2		3 of-
sheet	revision						
index	sheet						