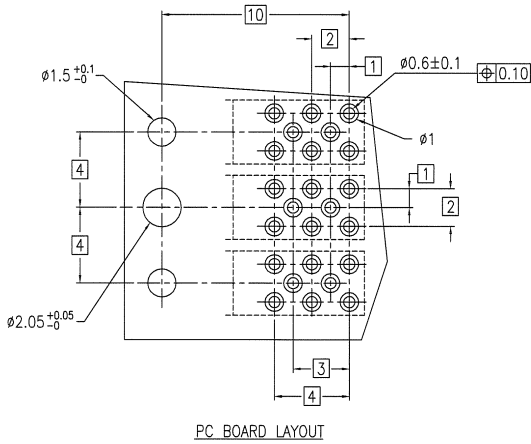
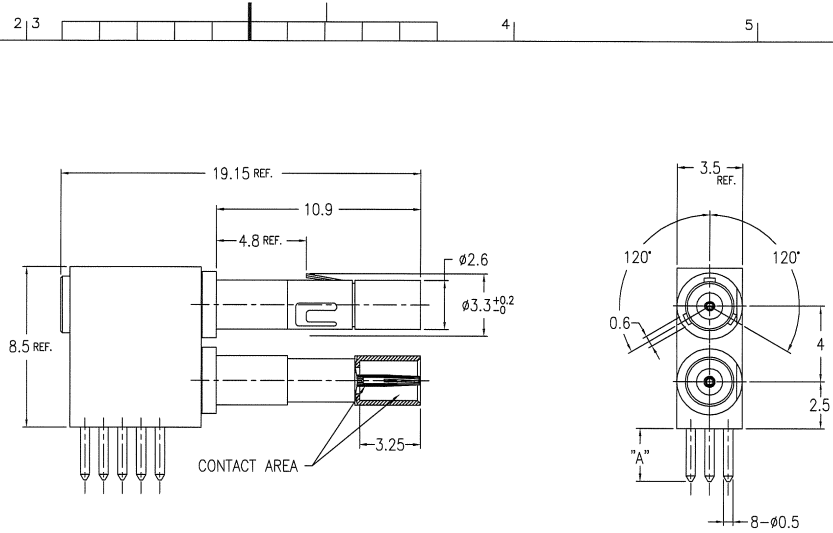


PRODUCT NO.	DIM "A"	PCB THICKNESS
62525-101	2.8	1.6mm
-101LF		
62525-102	3.8	2.4mm
-102LF		
62525-103	4.5	3.2mm
-103LF		



- NOTES
- MATERIAL : CONTACT AREA BeCu  
 SPRING CLIP BeCu  
 INSULATOR PTFE  
 OTHERS BRASS
  - PLATING : CONTACT AREA Au 0.8um MIN. UNDER Ni 1.27um MIN.  
 SPRING CLIP Ni 1.27um MIN.  
 BODY Ni 1.27um MIN.  
 INSERT CAP Ni 1.27um MIN.  
 OTHERS Au FLASH UNDER Ni 1.27um MIN.
  - FOR LEAD FREE P/N, THE PRODUCT MEET EUROPEAN UNION DIRECTIVES AND OTHER COUNTRY REGULATIONS AS DESCRIBED IN GS-22-008
  - THE HOUSING WILL WITHSTAND EXPOSURE TO 260°C PEAK TEMPERATURE FOR 10 SECONDS IN A CONVECTION, INFRA-RED OR VAPOR PHASE REFLOW OVEN.

mat'l. code		surface		tolerance		projection		product family		CODE	
---		ISO 1302		ISO 406		ISO 1101		METRAL		JP	
ltr	description	ecn no	dr	date	tolerances unless otherwise specified	linear	angular	MM	title		size
A	RELEASED	J98148	YK	5/10/99	0.X ±0.3	0.XX ±0.3	0.XXX ±0.3	scale 5:1	METRAL MINI COAX RECE. R/A ASS'Y		A3
B	REVISED	J98200	YK	6/7/99	0'±2'				dwg no		sheet 1 of 1
C	REVISED	J20641	YK	12/16/02					62525		
D	REVISED	J05-0673	YK	10/21/05	dr	Y.KODAIRA	5/10/99		type		Rev.
E	REVISED	J07-0030	SD	1/18/07	enrg	S.OKUDAIRA	1/18/07		Customer Drawing		E
					chr	R. Atsugi	1/18/07				
					appd	S. Okada	1/18/07				
sheet index	revision sheet	E	1								