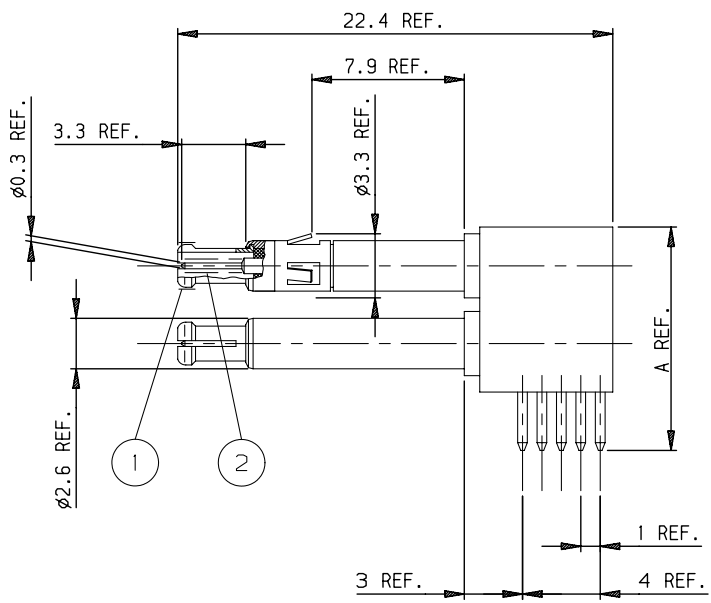
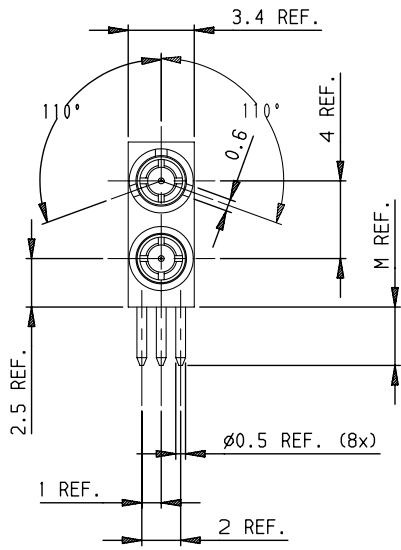


LEAD-FREE P/N	DIM "M"	DIM "A"	P.C.B. Thk.
88983-001LF	2.80	11.30	1.6mm
88983-002LF	3.80	12.70	2.4mm
88983-003LF	2.20	10.70	1.6mm



NOTE:

- 1) For p.c. board layout see customer
- 2) PACKAGING SPEC: SEE GS-14-920

1.27u Min. Au.  
Positions 1&2  
Plating on contact area

rev	ecm no	dr	date
H	LS08-0022	LGO	06/03/06
J	LS08-0057	LGO	2008/02/18
-	-	-	-
-	-	-	-
-	-	-	-
-	-	-	-

www.fciconnect.com		surface ISO 1302	tolerance std ISO 406 ISO 1101	projection mm
Dr Hendrickse 97/11/12		TOLERANCES UNLESS OTHERWISE SPECIFIED		size A3
Eng -	Chr P. Schaik 92/04/24	ANGULAR	LINEAR	Scale 5:1
Appr D. Andrews 92/04/24	Product family	0.X ±0.1	0.XX ±0.1	ECN LS08-0057
Title RA HDR CONT		0.XXX ±0.1	METRAL	Spec ref -
50ohm MINI COAX		Part no 88983	Rev. J	
catalog no		CUSTOMER	sheet 1 of 1	

REV F - 2006-04-17