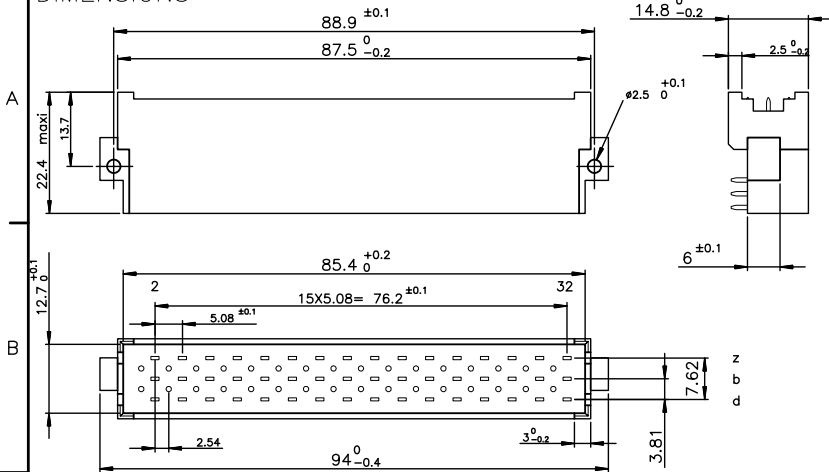


**DIMENSIONS**



**ELECTRICAL DATA**

- Current at AMB. 5.5 A at 20° / 4 A at 70°
- Contact resistance ?15m<sup>2</sup> according to DIN 41640 Teil 4 test 2a
- Insulation resistance \*10<sup>8</sup>M<sup>2</sup> according to DIN 41640 teil 7 test 3a
- TEST VOLTAGE according to DIN 41640 teil 21
- contact/contact 1550 V
- contact/ground 2500 V

**MECHANICAL DATA**

- Insertion force 775N
- Mechanical endurance 500 matings unmatings according to DIN41640 teil 21
- Material insulator Thermoplastic UL94V1
- Material contacts Copper alloy
- Finishing contact surface Gold over nickel Lead Free
- Finishing termination Lead-Free
- Schock ?30m<sup>2</sup> according to DIN 41640 Teil 14 test 6c
- Vibration 10-2000Hz/20g according to DIN 41640 Teil 15

**ENVIRONMENTAL DATA**

- Climatic category According to DIN 41612 - class 1
- Corrosion According to DIN 41612 - class 1

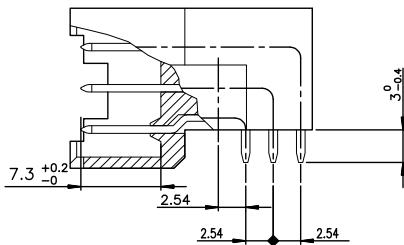
**ALL CONTACTS ARE IN ADVANCED POSITION**  
**PERFORMANCES AS PER DIN 41612 STYLE F CLASS 1**

**NOTE RoHS INFORMATION**

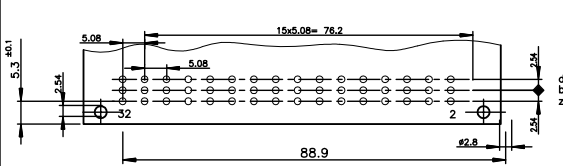
- The "LF" products meet European Union Directives and other country regulations as described in GS-22-008.
- The housing will withstand exposure to 260°C peak temperature for 3.5 seconds in a wave solder application with a 1.6mm minimum thick circuit board.
- For the right angled versions , like the current leaded versions, it's recommended to use high temperature adhesive or metallic device, to protect the nearest plastic part in contact with of the solder wave, to avoid any visual plastic deterioration.

**LEAD-FREE PART-NUMBER**  
**5159009486394AAKLF**

**TERMINATION**



**P.C. CARD DRILLING**



rev	ecn no	dr	date
B	LS06-0022	LGO	2006/02/21
C	LS06-0095	LGO	2006/06/26
D	LS07-0288	LGO	2007/11/19
E	F10-0214	APA	2010/10/01

www.fcconnect.com		surface ISO 1302	tolerance std ISO 406 ISO 110	projection mm
		TOLERANCES UNLESS OTHERWISE SPECIFIED		
Dr	PESSON	2006/02/21	ANGULAR	0.X
Eng	PESSON	2006/02/21	LINEAR	±0.1
Chr	LEGARE	2006/02/21	0.XX	±0.1
Appr	LEGARE	2006/02/21	0.XXX	±0.1
Product family		DIN POWER		
title		Spec ref -		
MALE CONNECTOR 3 ROW		size A3 Scale 1.5		
48 CONTACTS		ECN F10-0214		
catalog no		Rev. E		
		C01-5159-0051		
		CUSTOMER sheet 1 of 1		