

LEAD-FREE P/N	DIM A	DIM B	DIM C	DIM D	DIM L	CABLE TYPE	IMPEDANCE
71634-X11LF	1.05	1.70	2.25	3.20	10.4	RG178 B/U RG196 A/U	75 Ohm
71634-X21LF	1.70	2.70	3.20	3.80	10.4	RG174 A/U RG179 RG188 A/U RG316 /U	75 Ohm
71634-X31LF	1.70	2.70	3.58	4.30	10.4	RG316/U2 SHIELDED	75 Ohm
71634-X41LF	2.20	3.20	4.10	5.00	10.4	GPT CABLE	75 Ohm

- NOTES:
1. UNDERPLATING Ni.
 2. GENERAL TOLERANCE ±0.10
 3. FIXING CLIP PLATED WITH GOLD FLASH FOR IDENTIFICATION PURPOSES.

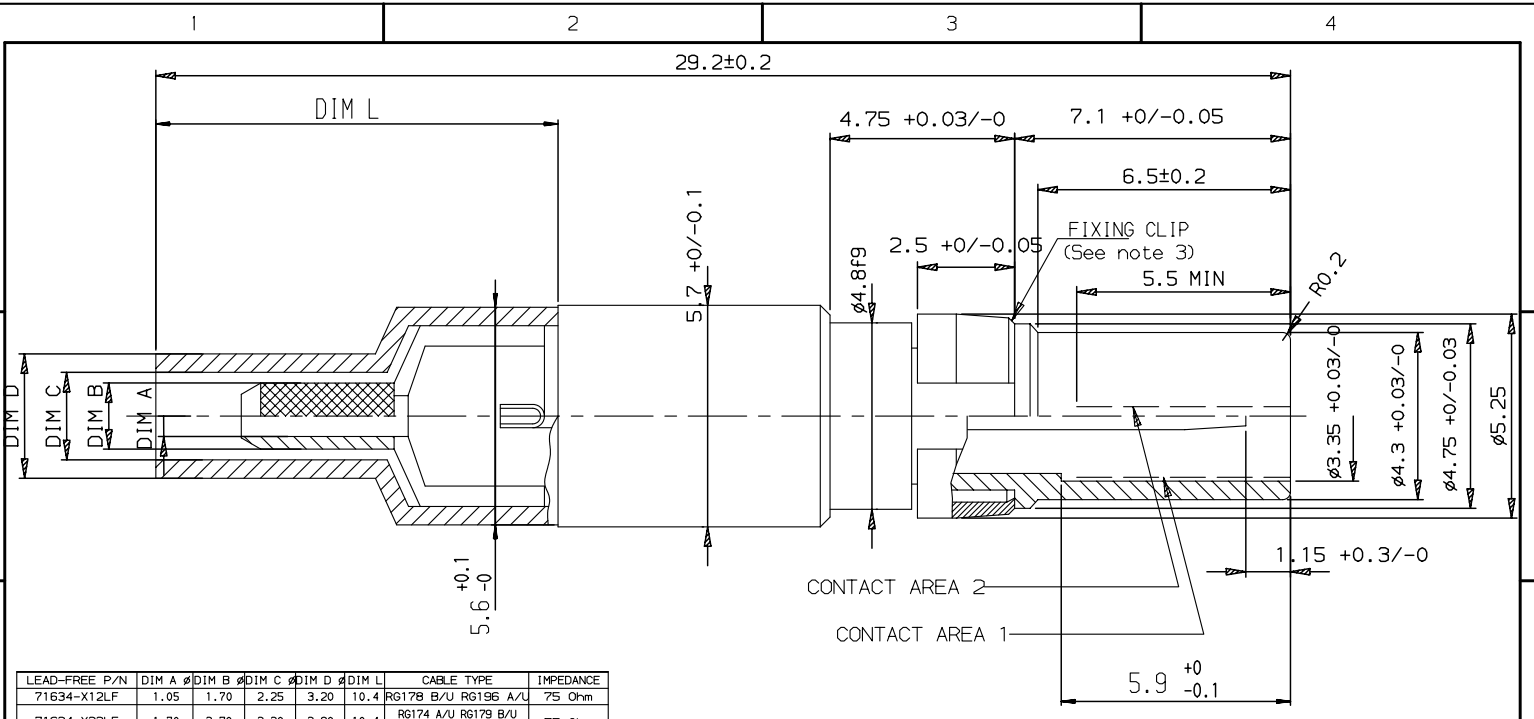
1	1.3 µm Au MIN	1.3 µm Au MIN
PLATING CODE X	PLATING CONTACT AREA 3	PLATING CONTACT AREA 4

- NOTE: RoHS INFORMATIONS
- The "LF" product meets European Union Directives and other country regulations as described in 65-22-008.
 - The product is not intended to be exposed to a manufacturing solder process.
 - Packaging spec: see 65-14-920.

rev	ecn no	dr	date
L	LS06-0073	LGO	2006/11/05
M	LS07-0214	LGO	2007/08/20
N	LS08-0057	LGO	2008/02/18
-	-	-	-
-	-	-	-
-	-	-	-

www.fciconnect.com		surface ISO 1302	tolerance std ISO 406 ISO 1101	projection	mm
TOLERANCES UNLESS OTHERWISE SPECIFIED					
Dr	GOISNARD	2006/11/05	ANGULAR	0.X	±0.1
Eng	GOISNARD	2006/11/05	LINEAR	0.XX	±0.1
Chr	LEGARE	2006/11/05	0.MM	0.XXX	±0.1
Appr	LEGARE	2006/11/05	Product family		BACKPANEL
Title			DIN COAX HDR		Rev.
Title			STR CTW INSERT		N
catLog no			-		71634
-			-		CUSTOMER sheet 1 of 6

Copyright FCI.



LEAD-FREE P/N	DIM A	DIM B	DIM C	DIM D	DIM L	CABLE TYPE	IMPEDANCE
71634-X12LF	1.05	1.70	2.25	3.20	10.4	RG178 B/U RG196 A/L	75 Ohm
71634-X22LF	1.70	2.70	3.20	3.80	10.4	RG174 A/U RG179 B/U RG187 A/U RG187 A/RG316 A/U	75 Ohm
71634-X32LF	1.70	2.70	3.55	4.30	10.4	L910/9-/19	75 Ohm
71634-X42LF	2.20	3.20	4.10	5.00	10.4	GPT CABLE	75 Ohm

- NOTES:
1. UNDERPLATING NI.
 2. GENERAL TOLERANCE ± 0.10
 3. FIXING CLIP PLATED WITH GOLD FLASH FOR IDENTIFICATION PURPOSES.

1	1.3 μ m Au MIN	1.3 μ m Au MIN
PLATING CODE X	PLATING CONTACT AREA 3	PLATING CONTACT AREA 4

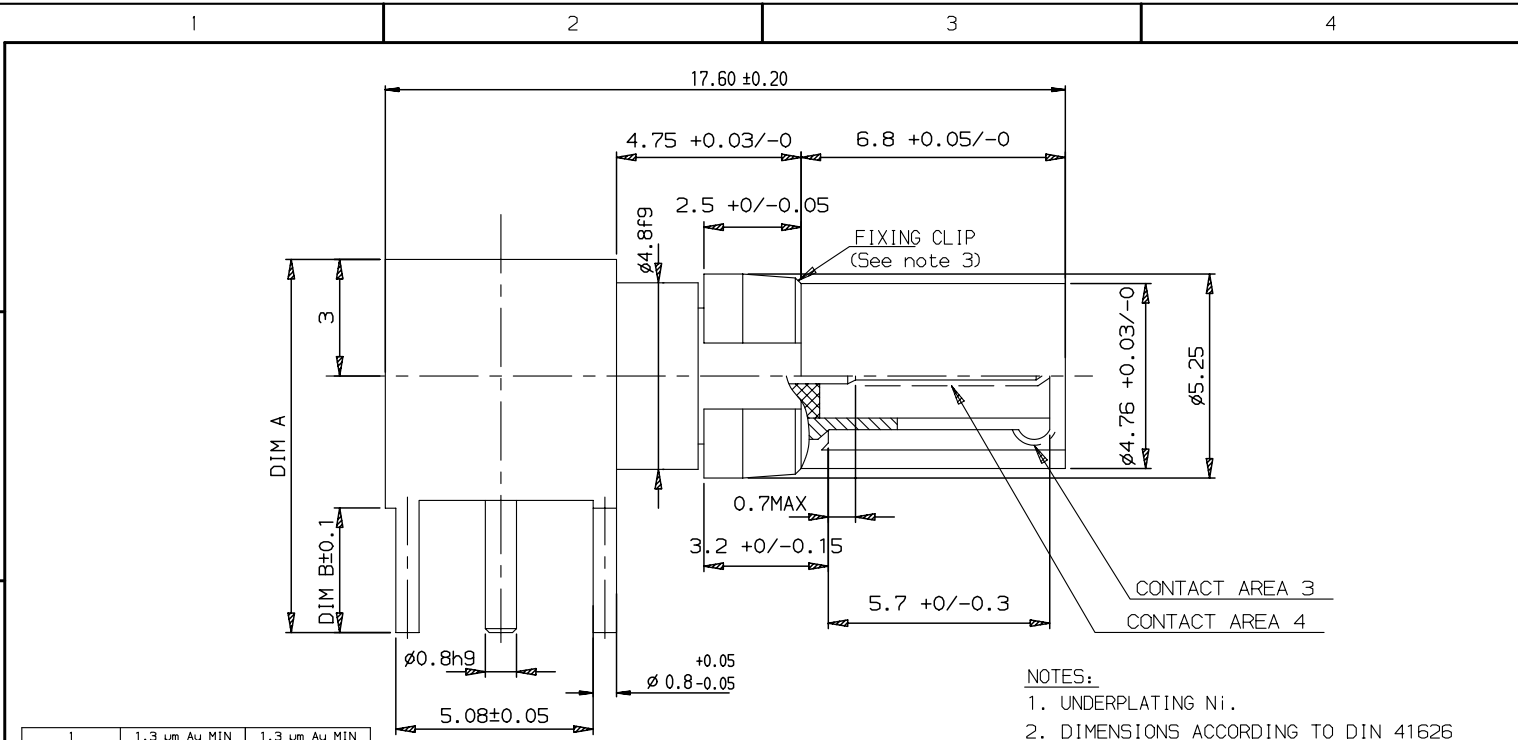
NOTE: RoHS INFORMATIONS

- The "LF" product meets European union Directives and other country regulations as described in 65-22-008.
- The product is not intended to be exposed to a manufacturing solder process.
- Packaging spec: see 65-14-920.

www.fciconnect.com		surface ISO 1302	tolerance std ISO 406 ISO 1101	projection A3	mm
TOLERANCES UNLESS OTHERWISE SPECIFIED					
Dr	GOISNARD	2006/11/05	ANGULAR	0.X	± 0.1
Eng	GOISNARD	2006/11/05	LINEAR	0.XX	± 0.1
Chr	LEGARE	2006/11/05	0.XX	0.XXX	± 0.1
Appr	LEGARE	2006/11/05	Product family		BACKPANEL
Title DIN COAX RCP STR CTW INSERT			Spec ref		71634
catalog no			Rev.		N
CUSTOMER					sheet 2 of 6

Copyright FCI.

REV F - 2006-04-17



1	1.3 µm Au MIN	1.3 µm Au MIN
PLATING CODE X	PLATING CONTACT AREA 3	PLATING CONTACT AREA 4

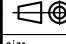

LEAD-FREE P/N	DIM A	DIM B	IMPEDANCE
71634-X03LF	9.6	3.2	75 Ohm
71634-X13LF	10.4	4.0	75 Ohm

NOTE: RoHS INFORMATIONS

- The "LF" product meets European union Directives and other country regulations as described in 65-22-008.
- The product is not intended to be exposed to a manufacturing solder process.
- Packaging spec: see 65-14-920.

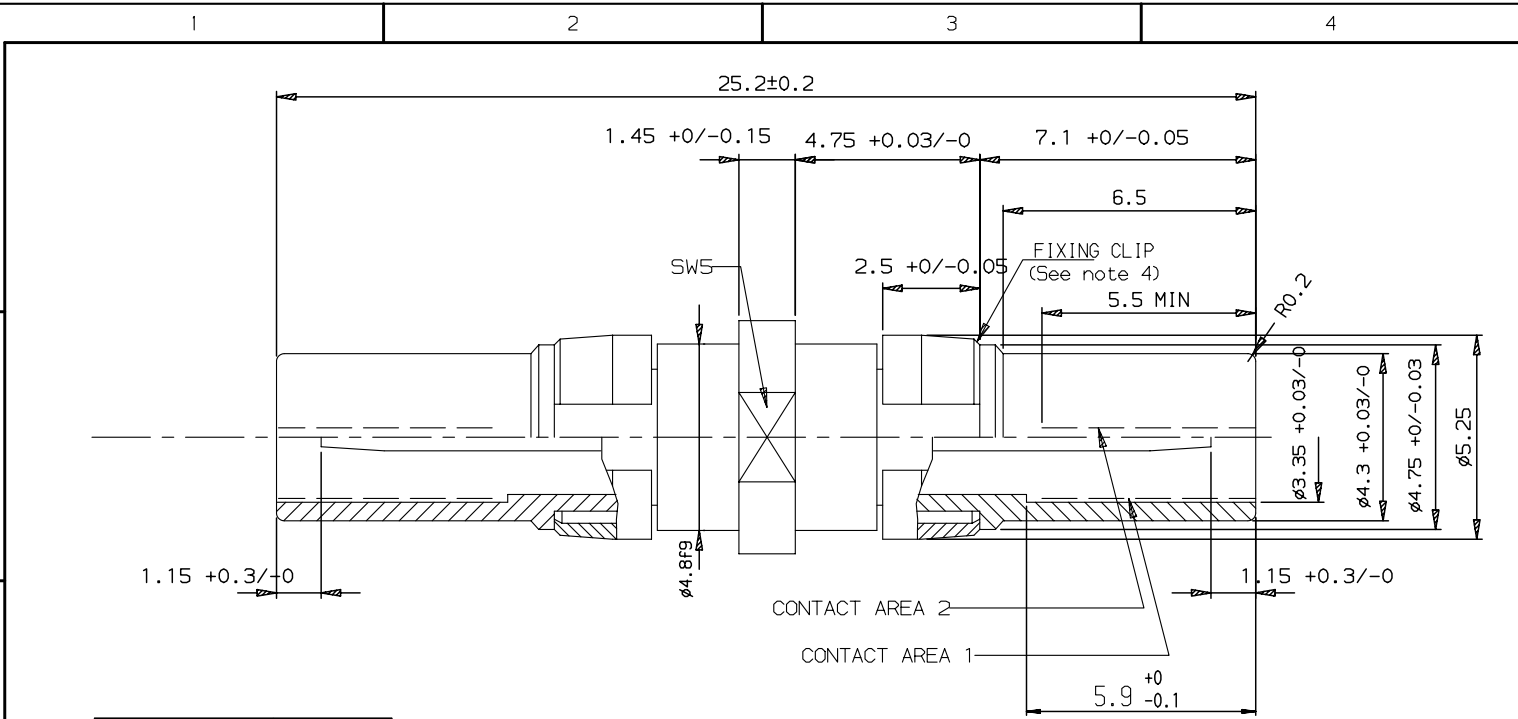
- NOTES:**
1. UNDERPLATING Ni.
 2. DIMENSIONS ACCORDING TO DIN 41625
 2. GENERAL TOLERANCE ±0.10
 3. FIXING CLIP PLATED WITH GOLD FLASH

European Views

www.fciconnect.com		surface ISO 1302	tolerance std ISO 406 ISO 1101	projection 	mm
TOLERANCES UNLESS OTHERWISE SPECIFIED					
Dr	GOISNARD	2006/11/05	ANGULAR	0.X	±0.1
Eng	GOISNARD	2006/11/05	LINEAR	0.XX	±0.1
Chr	LEGARE	2006/11/05	0.XX	0.XXX	±0.1
Appr	LEGARE	2006/11/05	Product family	BACKPANEL	Spec ref -
			Title DIN COAX HDR RA STB INSERT		Rev. N
catalog no			drawing no 71634		CUSTOMER sheet 3 of 6

REV F - 2006-04-17

Copyright FCJ



LEAD-FREE P/N	IMPEDANCE
71634-X04LF	75 Ohm

- NOTES:**
1. UNDERPLATING Ni.
 2. DIMENSIONS ACCORDING TO DIN 41626
 3. GENERAL TOLERANCE ±0.10
 4. FIXING CLIP PLATED WITH GOLD FLASH FOR IDENTIFICATION PURPOSES.

1	1.3 µm Au MIN	1.3 µm Au MIN
PLATING CODE X	PLATING CONTACT AREA 1	PLATING CONTACT AREA 2

NOTE: RoHS INFORMATIONS

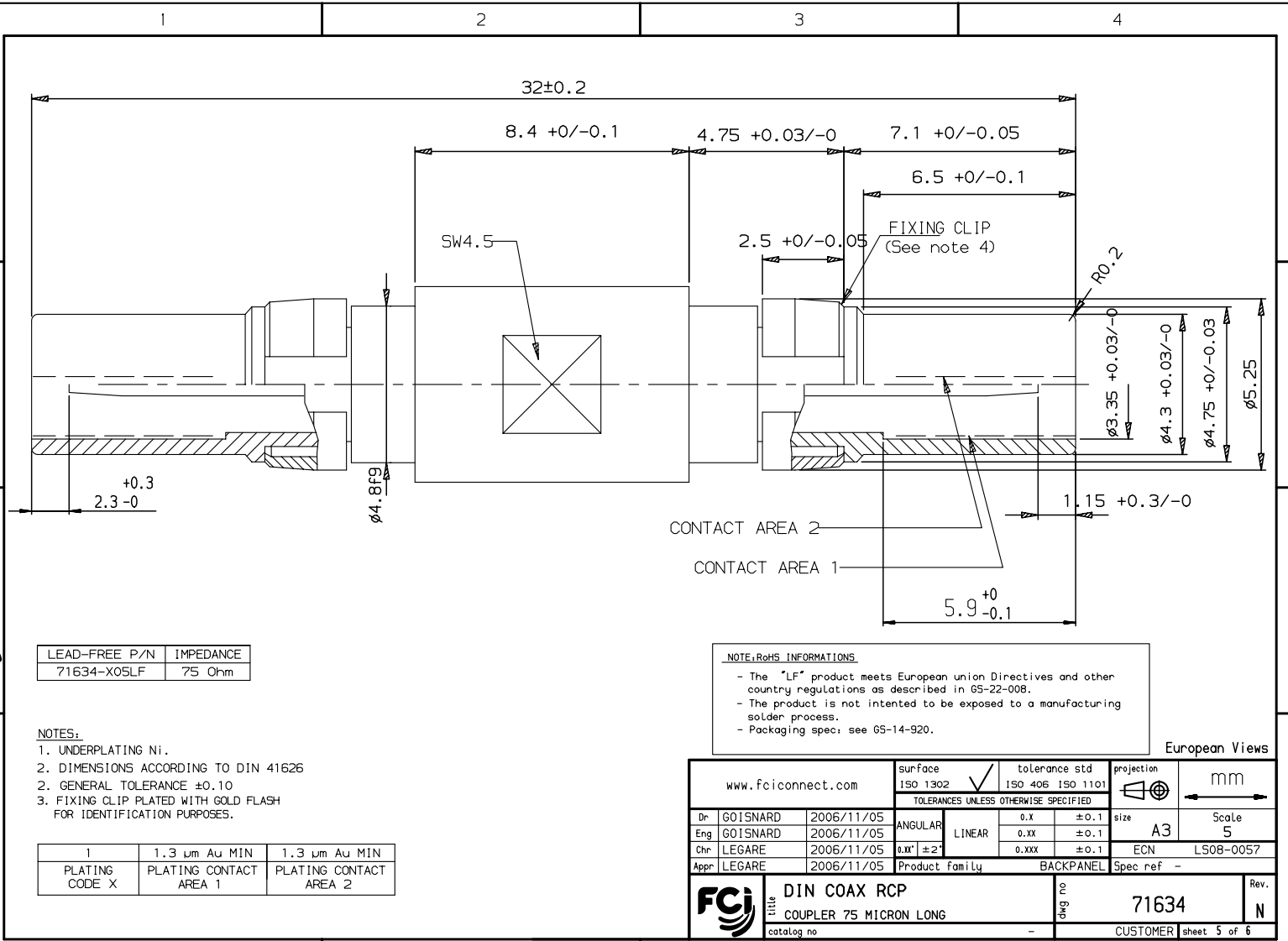
- The "LF" product meets European union Directives and other country regulations as described in 65-22-008.
- The product is not intended to be exposed to a manufacturing solder process.
- Packaging spec: see 65-14-920.

European Views

www.fciconnect.com		surface ISO 1302	tolerance std ISO 406 ISO 1101	projection A3	mm
TOLERANCES UNLESS OTHERWISE SPECIFIED					
Dr	GOISNARD	2006/11/05	ANGULAR	0.X	±0.1
Eng	GOISNARD	2006/11/05	LINEAR	0.XX	±0.1
Chr	LEGARE	2006/11/05	0.XX	0.XXX	±0.1
Appr	LEGARE	2006/11/05	Product family		BACKPANEL
Title DIN COAX RCP			Part no 71634		Rev. N
Title COUPLER 75 MICRON SHORT			Part no 71634		Rev. N
catalog no			CUSTOMER sheet 4 of 6		

REV F - 2006-04-17

PDM: Rev:N STATUS: **Released** Printed: Sep 15, 2009



LEAD-FREE P/N	IMPEDANCE
71634-X05LF	75 Ohm

- NOTES:**
1. UNDERPLATING Ni.
 2. DIMENSIONS ACCORDING TO DIN 41626
 3. GENERAL TOLERANCE ±0.10
 3. FIXING CLIP PLATED WITH GOLD FLASH FOR IDENTIFICATION PURPOSES.

1	1.3 µm Au MIN	1.3 µm Au MIN
PLATING CODE X	PLATING CONTACT AREA 1	PLATING CONTACT AREA 2

NOTE:RoHS INFORMATIONS

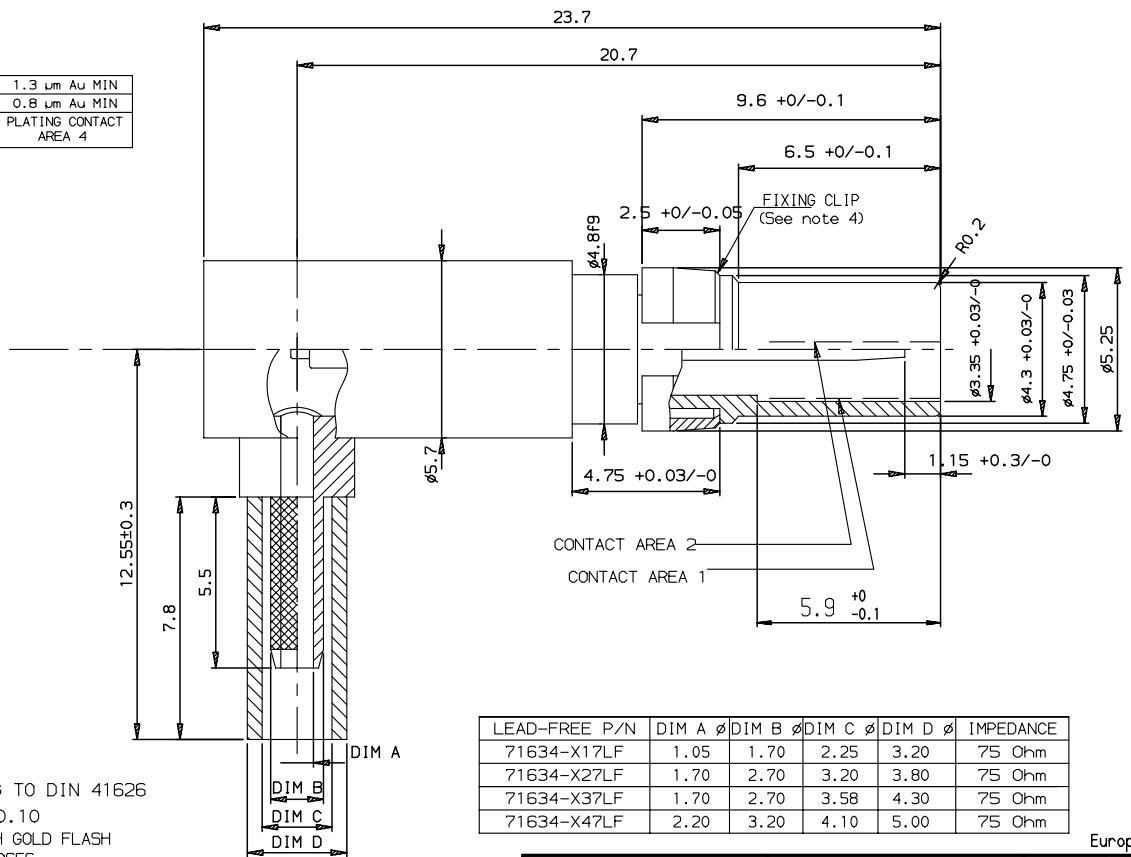
- The "LF" product meets European union Directives and other country regulations as described in GS-22-008.
- The product is not intended to be exposed to a manufacturing solder process.
- Packaging spec: see GS-14-920.

European Views

www.fciconnect.com		surface ISO 1302	tolerance std ISO 406 ISO 1101	projection A3	mm
TOLERANCES UNLESS OTHERWISE SPECIFIED					
Dr	GOISNARD	2006/11/05	ANGULAR	0.X	±0.1
Eng	GOISNARD	2006/11/05	LINEAR	0.XX	±0.1
Chr	LEGARE	2006/11/05	0.XX'	±2'	±0.1
Appr	LEGARE	2006/11/05	Product family	BACKPANEL	Spec ref -
FCI			Title DIN COAX RCP COUPLER 75 MICRON LONG		Rev. N
catalog no			drawing no 71634		CUSTOMER sheet 5 of 6

REV F - 2006-04-17

2	1.3 μm Au MIN	1.3 μm Au MIN
1	0.8 μm Au MIN	0.8 μm Au MIN
PLATING CODE X	PLATING CONTACT AREA 3	PLATING CONTACT AREA 4



NOTES:

1. UNDERPLATING Ni.
2. DIMENSIONS ACCORDING TO DIN 41626
3. GENERAL TOLERANCE ± 0.10
3. FIXING CLIP PLATED WITH GOLD FLASH FOR IDENTIFICATION PURPOSES.

NOTE: RoHS INFORMATIONS

- The "LF" product meets European union Directives and other country regulations as described in 65-22-008.
- The product is not intended to be exposed to a manufacturing solder process.
- Packaging spec: see 65-14-920.

LEAD-FREE P/N	DIM A	DIM B	DIM C	DIM D	IMPEDANCE
71634-X17LF	1.05	1.70	2.25	3.20	75 Ohm
71634-X27LF	1.70	2.70	3.20	3.80	75 Ohm
71634-X37LF	1.70	2.70	3.58	4.30	75 Ohm
71634-X47LF	2.20	3.20	4.10	5.00	75 Ohm

European Views

www.fciconnect.com		ISO 1302	<input checked="" type="checkbox"/>	tolerance std	ISO 406	ISO 1101	projection	mm
		TOLERANCES UNLESS OTHERWISE SPECIFIED						
Dr	GOISNARD	2006/11/05	ANGULAR	0.X	± 0.1	size	A3	Scale
Eng	GOISNARD	2006/11/05	LINEAR	0.XX	± 0.1	ECN	LS08-0057	5
Chr	LEGARE	2006/11/05	0.XX	0.XXX	± 0.1	Product family	BACKPANEL	Spec ref
Appr	LEGARE	2006/11/05						
		Title			DIN COAX RCP		Rev.	
		RA CTW			71634		N	
catalog no					CUSTOMER		sheet 6 of 6	

REV F - 2006-04-17

PDM: Rev:N STATUS:Released Printed: Sep 15, 2009