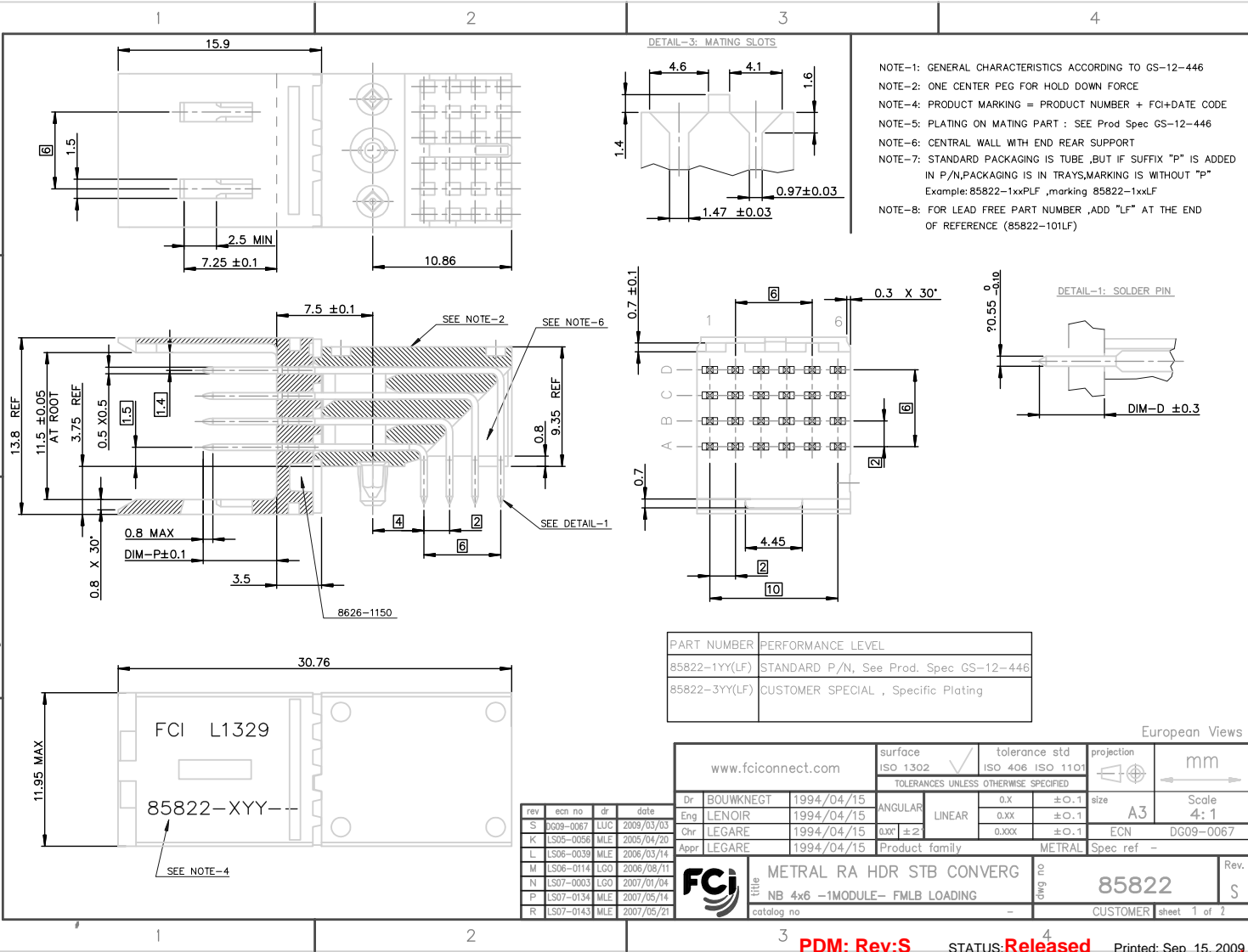




Copyright FCI



- NOTE-1: GENERAL CHARACTERISTICS ACCORDING TO GS-12-446
- NOTE-2: ONE CENTER PEG FOR HOLD DOWN FORCE
- NOTE-4: PRODUCT MARKING = PRODUCT NUMBER + FCI+DATE CODE
- NOTE-5: PLATING ON MATING PART : SEE Prod Spec GS-12-446
- NOTE-6: CENTRAL WALL WITH END REAR SUPPORT
- NOTE-7: STANDARD PACKAGING IS TUBE ,BUT IF SUFFIX "P" IS ADDED IN P/N,PACKAGING IS IN TRAYS,MARKING IS WITHOUT "P"
Example: 85822-1xxPLF ,marking 85822-1xxLF
- NOTE-8: FOR LEAD FREE PART NUMBER ,ADD "LF" AT THE END OF REFERENCE (85822-101LF)

PART NUMBER	PERFORMANCE LEVEL
85822-1YY(LF)	STANDARD P/N, See Prod. Spec GS-12-446
85822-3YY(LF)	CUSTOMER SPECIAL , Specific Plating

www.fciconnect.com		surface ISO 1302	tolerance std ISO 406 ISO 1101	projection mm
TOLERANCES UNLESS OTHERWISE SPECIFIED		ANGULAR	LINEAR	size A3
Dr	BOUWNEGT 1994/04/15	0.X	±0.1	Scale 4:1
Eng	LENOIR 1994/04/15	0.XX	±0.1	ECN DG09-0067
Chr	LEGARE 1994/04/15	0.XX ±2	±0.1	Product family METRAL
Appr	LEGARE 1994/04/15	Product family METRAL		Spec ref -
FCI title METRAL RA HDR STB CONVERG		drawing no 85822		Rev. S
catalog no		CUSTOMER		sheet 1 of 2

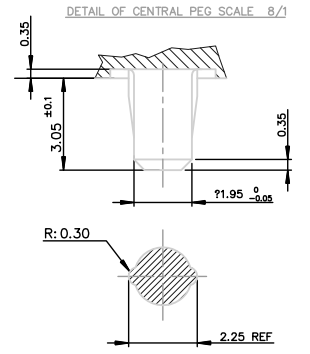
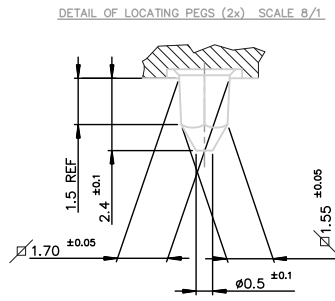
rev	ecm no	dr	date
S	3609-0067	LUC	2009/03/03
K	LS05-0058	MLE	2005/04/20
L	LS06-0039	MLE	2006/03/14
M	LS06-0114	LGO	2006/08/11
N	LS07-0003	LGO	2007/01/04
P	LS07-0134	MLE	2007/05/14
R	LS07-0143	MLE	2007/05/21

PDM: Rev:S STATUS:Released Printed: Sep. 15, 2009

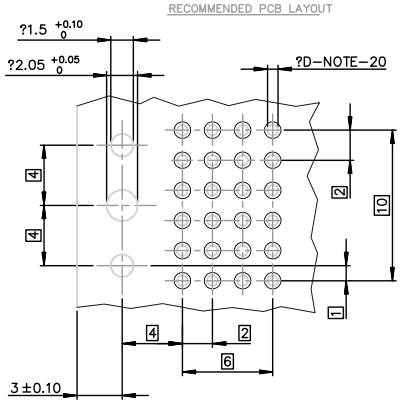


Copyright FCI.

PART NUMBER / CONTACT LOADING							
DIM-P ±0.10				DIM-D ±0.30	TIN LEAD PART NUMBER	LEAD FREE PART NUMBER	
ROW-A	ROW-B	ROW-C	ROW-D				
5.00	5.00	5.00	5.00	2.90	85822-X01	85822-X01LF	
5.00	5.75	5.00	5.00	2.90	85822-X02	85822-X02LF	
5.00	5.75	6.50	5.00	2.90	85822-X03	85822-X03LF	
5.00	5.00	6.50	5.00	2.90	85822-X04	85822-X04LF	
5.75	5.75	5.75	5.75	2.90	85822-X05	85822-X05LF	
6.50	5.75	5.00	5.75	2.90	85822-X06	85822-X06LF	
6.50	6.50	6.50	5.75	2.90	85822-X07	85822-X07LF	
6.50	5.75	6.50	5.75	2.90	85822-X08	85822-X08LF	
6.50	5.00	5.00	5.00	2.90	85822-X09	85822-X09LF	
5.75	5.75	5.75	5.75	3.70	85822-X10	85822-X10LF	



METRAL P/N	ROW	DIM P ±0.1 MOD. 1						DIM D ±0.3
		1	2	3	4	5	6	
85822-X11LF	D	5.0	5.0	5.0	6.50	5.0	5.0	2.90
	C	5.0	5.0	5.0	6.50	5.0	5.0	
85822-X11	B	5.0	5.0	5.0	5.0	5.0	5.0	2.90
	A	5.0	5.0	5.0	5.0	5.0	5.0	



NOTE-20: FINISH HOLE DIAMETER
See Prod Spec CS-12-446

rev	ecm no	dr	date
S	-	-	-

OTHERS INFORMATIONS, SEE DRW 85822-1

European Views

www.fciconnect.com	surface ISO 1302	tolerance std ISO 406 ISO 1101	projection mm
TOLERANCES UNLESS OTHERWISE SPECIFIED		size A3	Scale 4:1
Dr LENOIR 1994/04/15	ANGULAR	0.X ±0.1	ECN DG09-0067
Eng LENOIR 1994/04/15	LINEAR	0.XX ±0.1	Spec ref -
Chr LEGARE 1994/04/15	0.XX ±2	0.XXX ±0.1	
Appr LEGARE 1994/04/15	Product family	METRAL	

FCI title METRAL RA HDR STB CONVERG 4x6 -1MODULE -FMB LOADING

dwg no 85822

Rev. S

catalog no - CUSTOMER sheet 2 of 2

PDM: Rev:S STATUS:Released Printed: Sep 15, 2009