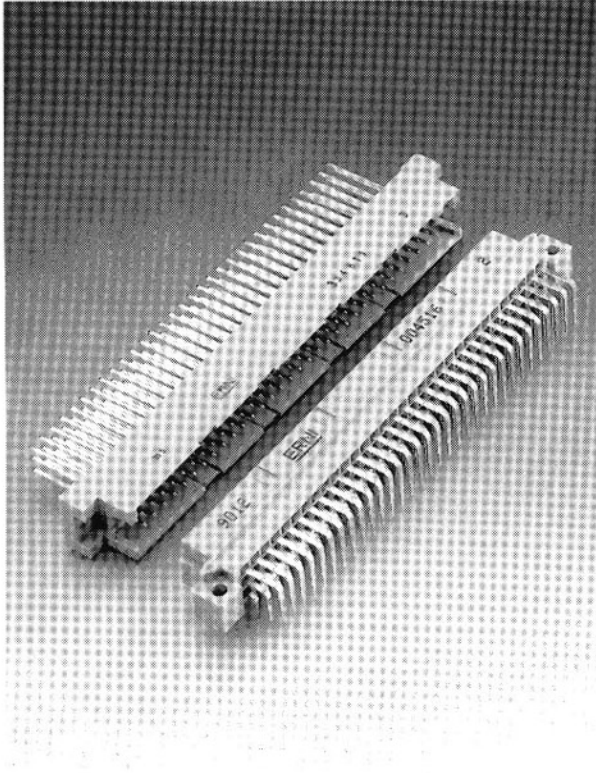


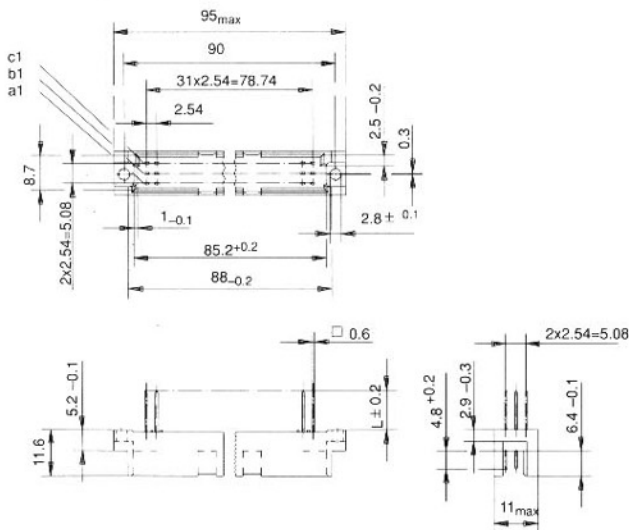
Size R

inverse size as per DIN 41 612

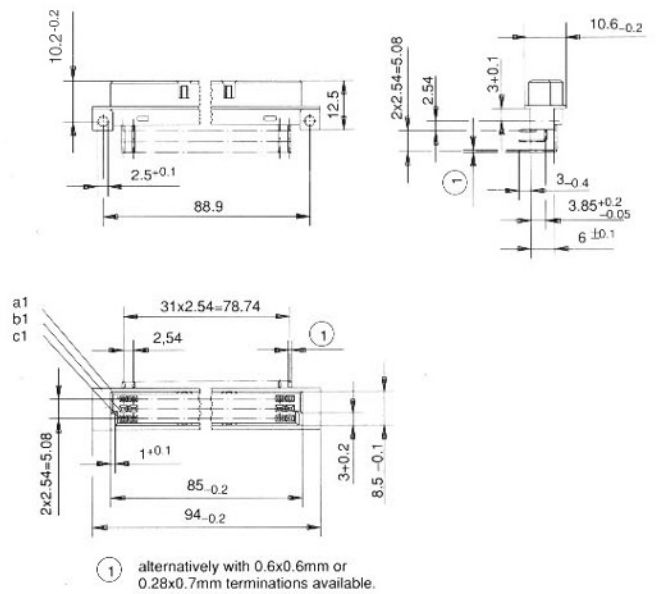


Dimensional drawings

Male connector



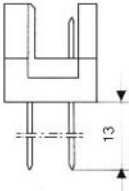
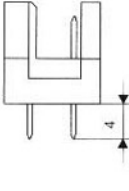
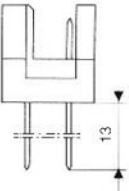
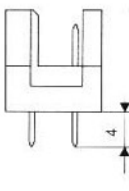
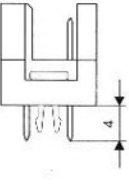
Female connector

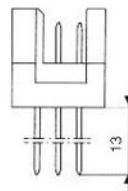
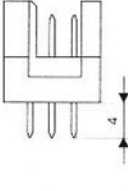
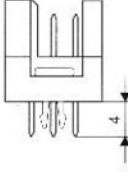


Ordering details

Male connector size R

as per DIN 41 612, maximum three rows loaded, maximum 96 contacts

	STV-R 32-M-ac 2,4,6...32 107 207 PBT 304 221 304 421
	STV-R 32-M-ac 2,4,6...32 <i>Termination cross section 0.6x0.6mm</i> 107 207 PBT 304 225 304 425
	STV-R 64-M-ac 107 207 PBT 334 210 334 410
	STV-R 64-M-ac <i>Termination cross section 0.6x0.6mm</i> 107 207 PBT 334 214 334 414
	STV-R 64-M-ac <i>Termination cross section 0.6x0.6mm with integral mounting pegs</i> 107 207 PBT 043 331

	STV-R 96-M-abc 107 207 PBT 334 211 334 411
	STV-R 96-M-abc <i>Termination cross section 0.6x0.6mm</i> 107 207 PBT 334 215 334 415
	STV-R 96-M-abc <i>Termination cross section 0.6x0.6mm with integral mounting pegs</i> 107 207 PBT 033 592

Male connectors with early make/last break contacts can be loaded in any position.

The connectors of the size R can be coded also with coding wedges. The coding positions on the male connectors are removed with a special pair of pliers. On the pertinent positions on the female connectors coding wedges are inserted.

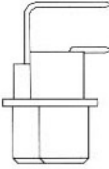
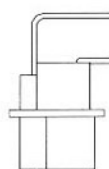
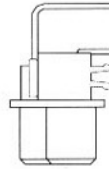
An example is shown on page 60

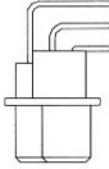
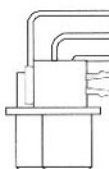
Further versions on request.

Ordering details

Female connector size R

as per DIN 41 612, maximum three rows loaded, maximum 96 contacts

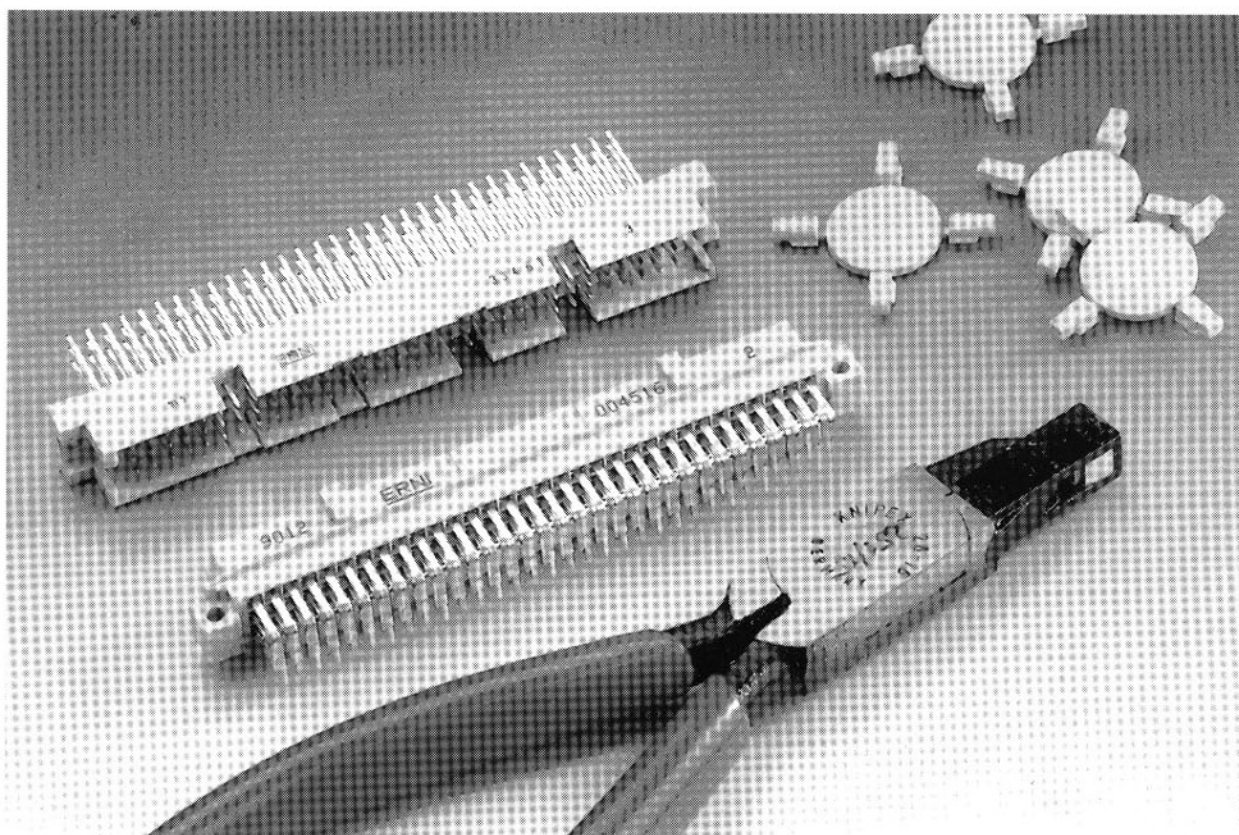
	STV-R 32-F-ac 2,4,6...32 <i>Termination cross section 0.28x0.7mm. No cover plate, insulator on bottom side open.</i>	
	PBT	107 207 023 039
	STV-R 64-F-ac <i>Termination cross section 0.28x0.7mm. No cover plate, insulator on bottom side open.</i>	
	PBT	107 207 004 519
	STV-R 64-F-ac <i>Termination cross section 0.28x0.7mm. No cover plate, insulator on bottom side open. With integral mounting pegs</i>	
	PBT	107 207 023 503

	STV-R 96-F-abc <i>Termination cross section 0.28x0.7mm. No cover plate, insulator on bottom side open.</i>	
	PBT	107 207 004 516
	STV-R 96-F-abc <i>Termination cross section 0.28x0.7mm. No cover plate, insulator on bottom side open. With integral mounting pegs</i>	
	PBT	107 207 023 784

For applications with size R female and size C male connectors we provide the reverse female connector with mirror-inverted printing. Please contact the ERNI sales office for further information.

Further versions on request.

Example of an application



The reverse connectors of the sizes Q,R and P are provided with integral coding. With a pair of pliers the coding positions on the male connectors are removed. On the same positions on the female connectors coding tabs are inserted.

With this coding system a max. of 70 coding possibilities are possible.

The ordering information for the coding tabs and the pair of pliers you will find in the data sheet „Coding”.

<u>Part-No.</u>	<u>Page</u>
-----------------	-------------

004516	3
004519	3
023093	3
023503	3
023784	3
033592	2
043331	2
304221	2
304225	2
304421	2
304425	2
334210	2
334214	2
334215	2
334414	2
334415	2