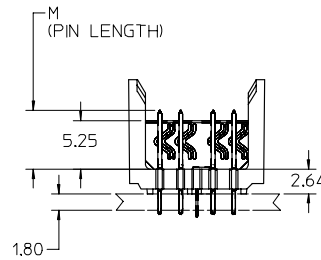
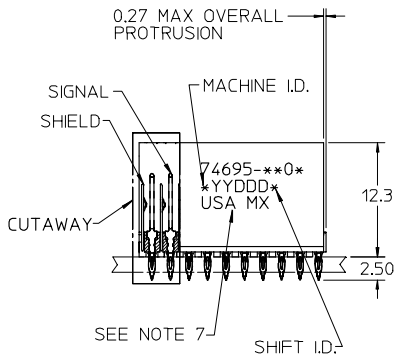


$\varnothing 0.66$ DRILL
 $\varnothing 0.56 \pm 0.05$ PTH
 $\varnothing 1.00$ PAD
 $\varnothing 0.10$

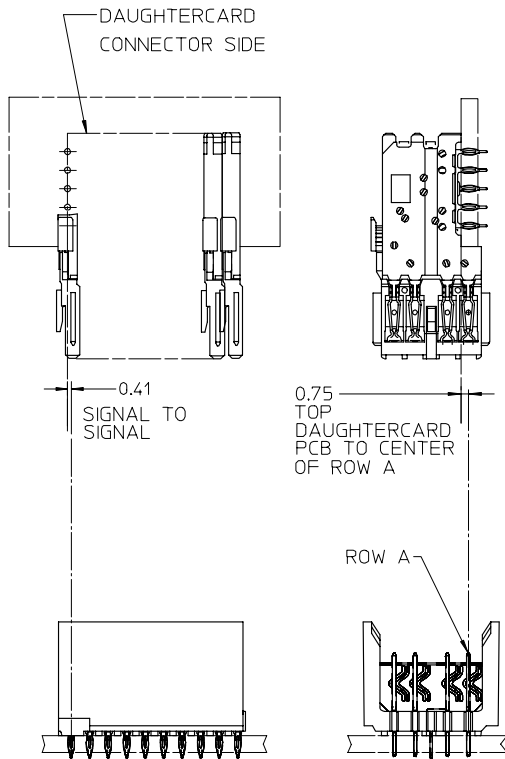
BACKPLANE HOLE PATTERN
RECOMMENDED DIMENSION



NOTES:

1. MATERIAL: HOUSING -LIQUID CRYSTAL POLYMER (LCP). GLASS-FILLED. UL 94 V-0. COLOR BLACK. SIGNAL & SHIELD -COPPER ALLOY.
2. FINISHES: SELECTIVE GOLD (Au) ON CONTACT AREA. SELECTIVE TIN/LEAD (Sn/Pb) OR SELECTIVE MATTE TIN (Sn) ON PCB TAILS. NICKEL (Ni) OVERALL.
3. THIS PART CONFORMS TO MOLEX PRODUCT SPECIFICATION PS-74031-999.
4. FOR MIXED CONTACT MATING LENGTHS CONSULT MOLEX FOR AVAILABILITY.
5. FOR SPECIFIC PART NUMBER AND MATING INFORMATION REFER TO SHEET 2.
6. PACKAGE PER PK-74695-003.
7. EITHER MARK PART NUMBER AND DATE CODE APPROXIMATELY WHERE SHOWN OR PLACE LABEL ON THE TUBE.

REVISIONS: REV 1: ADD LEAD-FREE EC NO: UCP2006-1727 DRAWN: THOMAS 2006/02/16 CHKD: BINGHAM 2006/02/16 APPR: KJULVEY 2006/02/16	QUALITY SYMBOLS	GENERAL TOLERANCES (UNLESS SPECIFIED)	SCALE 2.5:1	DESIGN UNITS METRIC	THIRD ANGLE PROJECTION	REVISE ON CAD ONLY															
	DESCRIPTION 74695-***0* *YYDDD* USA MX SEE NOTE 7	<table border="1"> <tr> <th></th> <th>mm</th> <th>INCH</th> </tr> <tr> <td>4 PLACES</td> <td>± ---</td> <td>± ---</td> </tr> <tr> <td>3 PLACES</td> <td>± ---</td> <td>± ---</td> </tr> <tr> <td>2 PLACES</td> <td>± ---</td> <td>± ---</td> </tr> <tr> <td>1 PLACE</td> <td>± ---</td> <td>± ---</td> </tr> </table>		mm	INCH	4 PLACES	± ---	± ---	3 PLACES	± ---	± ---	2 PLACES	± ---	± ---	1 PLACE	± ---	± ---	DIMENSION STYLE MM ONLY	TITLE HSD SALES ASSEMBLY 5 ROW OPEN END BACKPLANE		
			mm	INCH																	
		4 PLACES	± ---	± ---																	
3 PLACES	± ---	± ---																			
2 PLACES	± ---	± ---																			
1 PLACE	± ---	± ---																			
DRAFT WHERE APPLICABLE MUST REMAIN WITHIN DIMENSIONS	APPROVED BY CBIXLER 2001/04/14	CHECKED BY NMARTIN 2001/04/14	MOLEX INCORPORATED	MATERIAL NO. SEE SHT.2&3	DOCUMENT NO. SD-74695-002	SHEET NO. 1 OF 3															
THIS DRAWING CONTAINS INFORMATION THAT IS PROPRIETARY TO MOLEX INCORPORATED AND SHOULD NOT BE USED WITHOUT WRITTEN PERMISSION																					



MATERIAL NUMBER ASSIGNMENT

74695-**-** ** SEE TABLES (SHEET 3)

- NUMBER OF COLUMNS/PLATING
- 10 = 10 COLUMN TIN/LEAD
- 12 = 12 COLUMN TIN/LEAD
- 15 = 15 COLUMN TIN/LEAD
- 25 = 25 COLUMN TIN/LEAD
- 90 = 10 COLUMN MATTE TIN
- 92 = 12 COLUMN MATTE TIN
- 95 = 15 COLUMN MATTE TIN
- 85 = 25 COLUMN MATTE TIN

REVISED: ADD LEAD-FREE EC NO: UCP2006-1727 DRAWN: THOMAS 2006/02/16 CHKD: BRIGHAM 2006/02/16 APPR: KULVEY 2006/02/16	QUALITY SYMBOLS	GENERAL TOLERANCES (UNLESS SPECIFIED)		SCALE 2.5:1	DESIGN UNITS METRIC	THIRD ANGLE PROJECTION	REVISE ON CAD ONLY
	DESCRIPTION ▽-0 ▽-0	4 PLACES	mm	INCH	DIMENSION STYLE MM ONLY		TITLE HSD SALES ASSEMBLY 5 ROW OPEN END BACKPLANE
		3 PLACES	±---	±---	DRAWN BY MOWANG	DATE 2001/04/11	
		2 PLACES	±---	±---	CHECKED BY NMARTIN	DATE 2001/04/14	
1 PLACE	±---	±---	ANGULAR ±1/2°	APPROVED BY CBIXLER	DATE 2001/04/14	MOLEX INCORPORATED MATERIAL NO. SEE TABLES DOCUMENT NO. SD-74695-002 SHEET NO. 2 OF 3	
REV D	DESCRIPTION	DRAFT WHERE APPLICABLE MUST REMAIN WITHIN DIMENSIONS		THIS DRAWING CONTAINS INFORMATION THAT IS PROPRIETARY TO MOLEX INCORPORATED AND SHOULD NOT BE USED WITHOUT WRITTEN PERMISSION			

13 12 11 10 9 8 7 6 5 4 3 2 1

J

I

H

G

F

E

D

C

B

A

PART NUMBER	COLUMN	NUMBER OF SIGNAL PINS	NUMBER OF SHIELDS	A	B	M	Au (um) THICKNESS	Sn/Pb (um)
74695-1001	10	40	10	20.00	18.00	4.75	0.76	0.76-152
74695-1006	10	40	10	20.00	18.00		1.27	
74695-1201	12	48	12	24.00	22.00		0.76	
74695-1206	12	48	12	24.00	22.00	1.27		
74695-2501	25	100	25	50.00	48.00	6.25	0.76	
74695-2506	25	100	25	50.00	48.00		1.27	
74695-1002	10	40	10	20.00	18.00		0.76	
74695-1007	10	40	10	20.00	18.00	1.27		
74695-1202	12	48	12	24.00	22.00	4.25	0.76	
74695-1207	12	48	12	24.00	22.00		1.27	
74695-2502	25	100	25	50.00	48.00		0.76	
74695-2507	25	100	25	50.00	48.00	1.27		
74695-1003	10	40	10	20.00	18.00	5.15	0.76	
74695-1008	10	40	10	20.00	18.00		1.27	
74695-1203	12	48	12	24.00	22.00		0.76	
74695-1208	12	48	12	24.00	22.00	1.27		
74695-2503	25	100	25	50.00	48.00	4.75	0.76	
74695-2508	25	100	25	50.00	48.00		1.27	
74695-1004	10	40	10	20.00	18.00		0.76	
74695-1009	10	40	10	20.00	18.00	1.27		
74695-1204	12	48	12	24.00	22.00	6.25	0.76	
74695-1209	12	48	12	24.00	22.00		1.27	
74695-2504	25	100	25	50.00	48.00		0.76	
74695-2509	25	100	25	50.00	48.00	1.27		

TIN/LEAD CHART

PART NUMBER	COLUMN	NUMBER OF SIGNAL PINS	NUMBER OF SHIELDS	A	B	M	Au (um) THICKNESS	Sn (um)
74695-9001	10	40	10	20.00	18.00	4.75	0.76	0.76-152
74695-9006	10	40	10	20.00	18.00		1.27	
74695-9501	12	48	12	24.00	22.00		0.76	
74695-9506	12	48	12	24.00	22.00	1.27		
74695-8501	25	100	25	50.00	48.00	6.25	0.76	
74695-8506	25	100	25	50.00	48.00		1.27	
74695-9002	10	40	10	20.00	18.00		0.76	
74695-9007	10	40	10	20.00	18.00	1.27		
74695-9502	12	48	12	24.00	22.00	4.25	0.76	
74695-9507	12	48	12	24.00	22.00		1.27	
74695-8502	25	100	25	50.00	48.00		0.76	
74695-8507	25	100	25	50.00	48.00	1.27		
74695-9003	10	40	10	20.00	18.00	5.15	0.76	
74695-9008	10	40	10	20.00	18.00		1.27	
74695-9503	12	48	12	24.00	22.00		0.76	
74695-9508	12	48	12	24.00	22.00	1.27		
74695-8503	25	100	25	50.00	48.00	6.25	0.76	
74695-8508	25	100	25	50.00	48.00		1.27	
74695-9004	10	40	10	20.00	18.00		0.76	
74695-9009	10	40	10	20.00	18.00	1.27		
74695-9504	12	48	12	24.00	22.00	4.75	0.76	
74695-9509	12	48	12	24.00	22.00		1.27	
74695-8504	25	100	25	50.00	48.00		0.76	
74695-8509	25	100	25	50.00	48.00	1.27		

LEAD FREE CHART

ADDED SHEET: 3 EC NO: UCP2006-1727 DRAWN CHOMS 2006/07/16 CHECKED: JIM NGHAM 2006/07/16 APPROVED: KYLE 2006/07/16	QUALITY SYMBOLS ▽=0 ▽=0	GENERAL TOLERANCES (UNLESS SPECIFIED) mm INCH 4 PLACES ± --- ± --- 3 PLACES ± --- ± --- 2 PLACES ± --- ± --- 1 PLACE ± --- ± --- ANGULAR ±1/2°	DIMENSION STYLE MM ONLY DRAWN BY: MWANG DATE: 2001/04/11 CHECKED BY: DATE: NMARTIN DATE: 2001/04/14 APPROVED BY: DATE: CBIXLER DATE: 2001/04/14	SCALE: DESIGN UNITS: METRIC THIRD ANGLE PROJECTION	TITLE: HSD SALES ASSEMBLY 5 ROW OPEN END BACKPLANE	
	MATERIAL NO. DOCUMENT NO. SHEET NO. SD-74695-002 3 OF 3	MOLEX INCORPORATED	DRAFT WHERE APPLICABLE MUST REMAIN WITHIN DIMENSIONS	SEE TABLES	THIS DRAWING CONTAINS INFORMATION THAT IS PROPRIETARY TO MOLEX INCORPORATED AND SHOULD NOT BE USED WITHOUT WRITTEN PERMISSION	SIZE: C

tb_frame_C_P_AM_T Rev. D 2004/06/28

12 11 10 9 8 7 6 5 4 3 2 1