

Two-Row Vertical Receptacle Assemblies Without Guide Holes

ACTION PIN Posts and Solder Posts

Material and Finish

Housing — Brown glass-filled polyphenylene sulfide

Contacts — ACTION PIN (phosphor bronze), solder (beryllium copper), plated as follows:

A .000030 [0.00076] gold in contact area, tin-lead on posts, with entire contact underplated. .000050-.000100 [0.00127-0.00254] nickel

B Gold flash over .000050-.000100 [0.00127-0.00254] nickel on entire contact, with .000030 [0.00076] gold on contact area and for .200 [5.08] from tip of ACTION PIN post

Related Product Data

Mateable Connectors —

Vertical Pin Headers —

Base numbers 533060, 532446, 532430, 532091, 532430

90° Pin Headers —

Base numbers 533515, 533295

Consult Tyco Electronics for part number details.

Accessories —

Keys — page 6103

Jack screws — page 6104

PCB Hole Layouts — page 6100

Application Tooling — page 6102

Technical Documents —

AMP Product Specifications

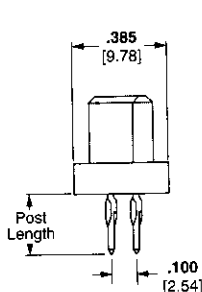
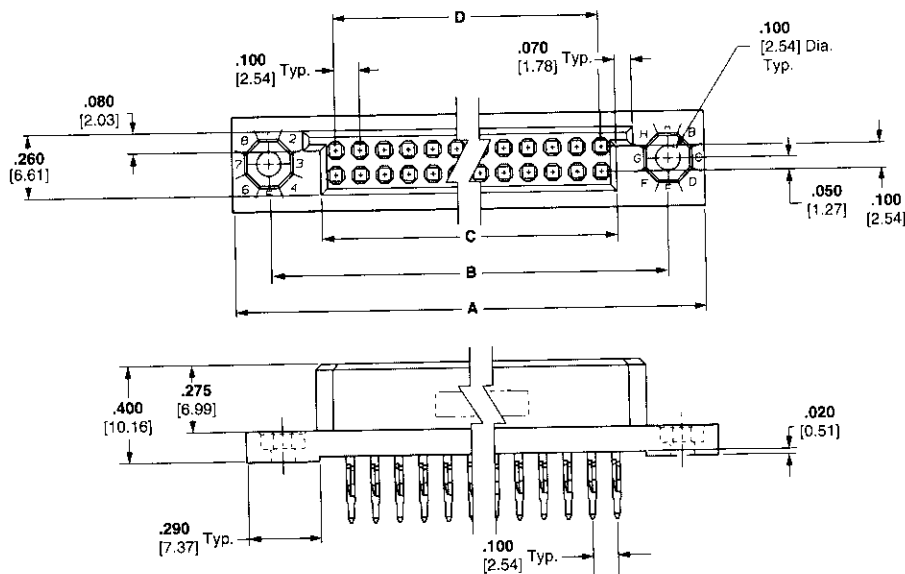
108-9069, 108-26003

AMP Application Specification

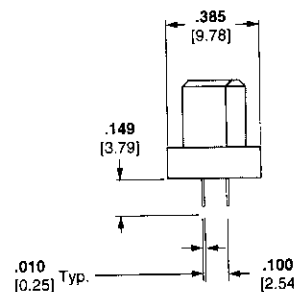
114-9010

AMP Instruction Sheets 408-6927,

408-6980, 408-6989, 408-9185



ACTION PIN Posts



Solder Posts

No. of Pos.	Dimensions				Contact Finish	Part Numbers*		
	A	B	C	D		ACTION PIN Posts		Solder Posts
						.500 [12.7] Length	.250 [6.35] Length	
200	10.750 273.05	10.450 265.43	10.024 254.61	9.900 251.46	A	—	1-533650-9	—
80	4.750 120.65	4.450 113.03	4.024 102.21	3.900 99.06	B	533693-7	—	—
60	3.750 95.25	3.450 87.63	3.024 76.81	2.900 73.66	A	—	—	533289-5
40	2.750 69.85	2.450 62.23	2.024 51.41	1.900 48.26	A	533693-3	—	533289-3
20	1.750 44.45	1.450 36.83	1.024 26.10	.900 22.86	A	—	—	533289-1

*Other connector sizes and solder post lengths can be made available, consult Tyco Electronics.