

3-Row Right-Angle Pin Header Assemblies — MIL-C-55302 Qualified



Housing Material — In accordance with MIL-C-55302 or MIL-M-24519 type GLCP-30F

Contact Material and Finish — Commercial Flow Solder Contact — Brass per QQ-B-626 plated .000030 [0.00076] gold in the contact area, .000100 [0.00254] tin-lead on the tails over .000050 [0.00127] nickel on the entire contact; Military Flow Solder Contact — Brass per QQ-B-626 plated .000050 [0.00127] gold in the contact area, .000100 [0.00254] tin-lead on the tails over .000050 [0.00127] nickel on the entire contact; Wrap-Type Contact — Phosphor bronze plate .000050 [0.00127] gold over .000030 [0.00076] nickel on the entire contact

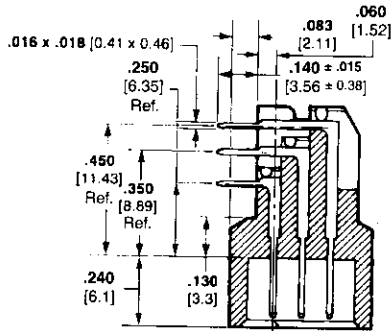
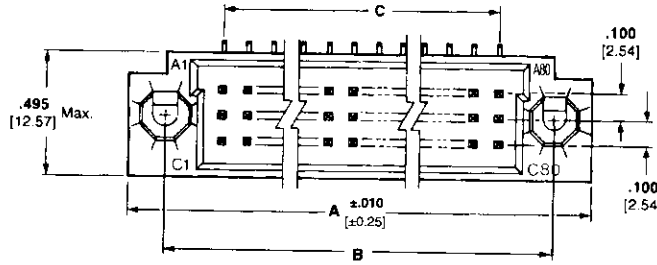
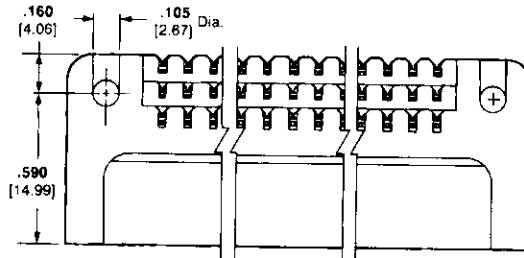
Related Product Data

Mates with — 3-Row Receptacles, pages 6074-6076

External Keying — page 6091

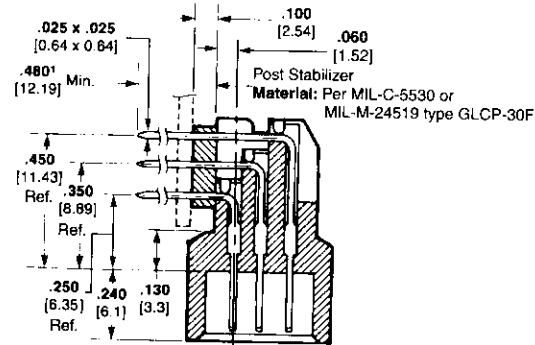
Recommended PC Board Layout — page 6087

Fixed Jackscrew — page 6072



Flow Solder Contacts
(for use with .096 [2.44] Max. thick PC board)

*The three rows of posts will not be of equal length.



Wrap-Type Posted Contacts

Post Stabilizer
Material: Per MIL-C-5530 or MIL-M-24519 type GLCP-30F

Printed Circuit Board Connectors

No. of Pos.	Dimensions			Flow Solder Contacts				Wrap-Type Posted Contacts (2 High)	
	A	B	C	Commercial Part No.		AMP Part No.		AMP Part No.	
				Sealed	Unsealed	MIL-Part No. M55302/129	Sealed	Unsealed	Without Stabilizer
300 ¹	10.750 273.05	10.450 265.43	9.900 251.46	1-447373-1	—	—	—	—	—
270 ¹	9.750 247.65	9.450 240.03	8.900 226.06	—	—	—	—	—	—
240	8.750 222.25	8.450 214.63	7.900 200.66	—	531137-8	-18	446852-8	531133-8	—
210	7.750 196.85	7.450 189.23	6.900 175.26	—	531137-7	-17	446852-7	531133-7	—
195	7.250 184.15	6.950 176.53	6.400 162.56	—	1-531137-3	-16	1-446852-0	1-531133-3	—
180	6.750 171.45	6.450 163.83	5.900 149.86	—	—	-15	446852-6	531133-6	—
165	6.250 158.75	5.950 151.13	5.400 137.16	—	531137-5	-14	446852-5	531133-5	532775-3
150	5.750 146.05	5.450 138.43	4.900 124.46	—	531137-4	-13	446852-4	531133-4	1-532775-2
135	5.250 133.35	4.950 125.73	4.400 111.76	—	—	-12	446852-9	1-531133-2	—
126	4.950 125.73	4.650 118.11	4.100 104.14	—	—	—	—	1-531133-0	1-532775-0
120	4.750 120.65	4.450 113.03	3.900 99.06	—	531137-3	-11	446852-3	531133-3	532775-8
105	4.250 107.95	3.950 100.33	3.400 86.36	—	531137-2	-10	446852-2	531133-2	—
90	3.750 95.25	3.450 87.63	2.900 73.66	—	531137-1	-09	446852-1	531133-1	—
									447380-5

¹Part Numbers are available upon request.