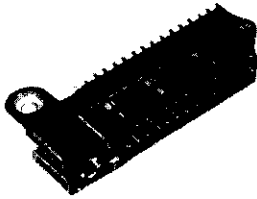


Straddle Mount Pin Header Assemblies with Anodized Pin Protectors — MIL-C-55302 Qualified



Related Product Data

Mates with — Receptacles, pages 6053 and 6054

External Keying — page 6091

Recommended PC Board Layout — page 6058

Commercial Pin Header Assemblies

Housing Material — In accordance with MIL-C-55302 or MIL-M-24519 Type GLCP-30F

Pin Protector Material — Anodized aluminum per QQ-A-250/1

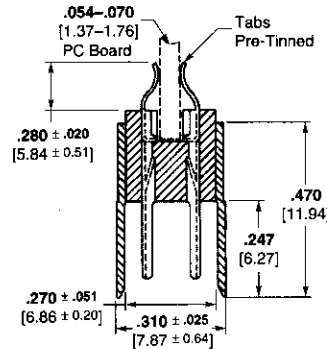
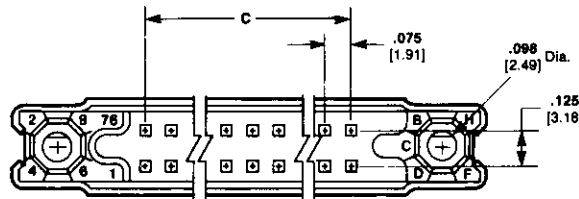
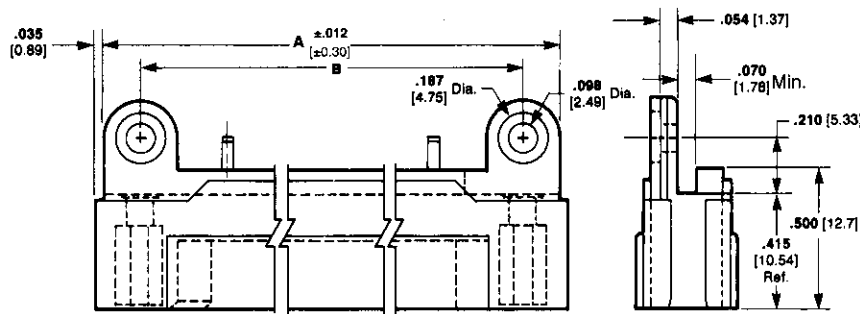
Contact Material and Finish — Brass per QQ-B-626 plated .000030 [0.00076] gold in the contact area, .000100 [0.00254] tin-lead on the tabs over .000050 [0.00127] nickel on the entire contact.

Military Pin Header Assemblies

Housing Material — In accordance with MIL-C-55302 or MIL-M-24519 Type GLCP-30F

Pin Protector Material — Anodized aluminum per QQ-A-250/1

Contact Material and Finish — Brass per QQ-B-626 plated .000050 [0.00127] gold in the contact area, .000100 [0.00254] tin-lead on the tabs over .000050 [0.00127] nickel on the entire contact.



| No. of Pos. | Dimensions | | | Military Pin Header | |
|-------------|-----------------|-----------------|-----------------|---------------------|--------------|
| | A | B | C | M55302/ | AMP Part No. |
| 180 | 7.630 193.8 | 7.340 186.44 | 6.675 169.55 | 23-30 | 530785-4 |
| 160 | 6.880 174.75 | 6.590 167.39 | 5.925 150.5 | 23-29 | 530785-5 |
| 150 | 6.505 165.23 | 6.215 157.86 | 5.550 140.97 | 23-28 | 530785-2 |
| 120 | 5.380 136.65 | 5.090 129.29 | 4.425 112.4 | 23-27 | 530785-6 |
| 110 | 5.005 127.13 | 4.715 119.76 | 4.050 102.87 | 23-26 | 530785-7 |
| 100 | 4.630 117.6 | 4.340 110.24 | 3.675 93.35 | 23-25 | 530785-8 |
| 90 | 4.255 108.08 | 3.965 100.71 | 3.300 83.82 | 23-24 | 1-530785-7 |
| 80 | 3.880 98.55 | 3.590 91.19 | 2.925 74.3 | 23-23 | 530785-9 |
| 70 | 3.505 89.03 | 3.215 81.66 | 2.550 64.77 | 23-22 | 1-530785-0 |
| 60 | 3.130 79.5 | 2.840 72.14 | 2.175 55.25 | 23-21 | 1-530785-1 |
| 50 | 2.755 69.98 | 2.465 62.61 | 1.800 45.72 | 23-20 | 1-530785-2 |
| 40 | 2.380 60.45 | 2.090 53.09 | 1.425 36.2 | 23-19 | 1-530785-3 |
| 30 | 2.005 50.93 | 1.715 43.56 | 1.050 26.67 | 23-18 | 1-530785-4 |
| 20 | 1.630 41.4 | 1.340 34.04 | .675 17.15 | 23-17 | 1-530785-5 |
| 10 | 1.255 31.88 | .965 24.51 | .300 7.62 | 23-16 | 1-530785-6 |

Printed Circuit Board Connectors