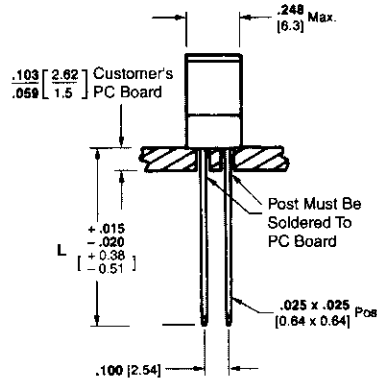
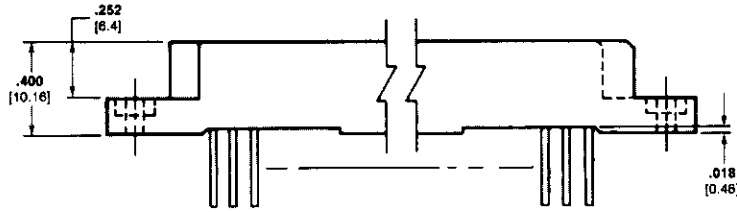
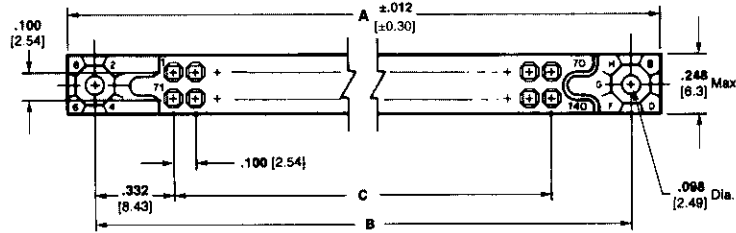
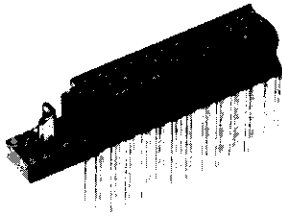


2-Row Receptacle Assemblies for PC Solder Mount with Posted Contacts (Wrap-Type) — MIL-C-55302 Qualified



Related Product Data

Mates with — Pin Header Assemblies, pages 6067-6071

External Keying — page 6091

Post Wrapping Information — page 6062

Recommended PC Board Layout — page 6085

Military Receptacle Assemblies

Housing Material — In accordance with MIL-C-55302 or MIL-M-24519 Type GLCP-30F

Contact Material and Finish — Beryllium copper per MIL-C-55302 plated .000050 [0.00127] gold over .000030 [0.00076] nickel on the entire contact.

No. of Pos.	Dimensions			No. of Terminations Per Post					
	A	B	C	1 High		2 High		3 High	
				MIL-Part No.	AMP Part No.	MIL-Part No.	AMP Part No.	MIL-Part No.	AMP Part No.
140	7.855	7.565	6.900	M55302/27-225	—	M55302/27-221	1-530780-3	M55302/27-217	1-530779-3
	199.52	192.15	175.26						
134	7.555	7.265	6.600	M55302/27-224	—	M55302/27-220	1-530780-2	M55302/27-216	1-530779-2
	191.90	184.53	167.64						
130	7.355	7.065	6.400	M55302/27-223	1-530781-1	M55302/27-219	1-530780-1	M55302/27-215	1-530779-1
	186.82	179.45	162.56						
120	6.855	6.565	5.900	M55302/27-222	—	M55302/27-218	1-530780-0	M55302/27-214	1-530779-0
	174.12	166.75	149.86						
110	6.355	6.065	5.400	M55302/27-171	530781-9	M55302/27-162	530780-9	M55302/27-153	530779-9
	161.42	154.05	137.16						
100	5.855	5.565	4.900	M55302/27-170	530781-8	M55302/27-161	530780-8	M55302/27-152	530779-8
	148.72	141.35	124.46						
90	5.355	5.065	4.400	M55302/27-169	530781-7	M55302/27-160	530780-7	M55302/27-151	530779-7
	136.02	128.65	111.76						
80	4.855	4.565	3.900	M55302/27-168	530781-6	M55302/27-159	530780-6	M55302/27-150	530779-6
	123.32	115.95	99.06						
70	4.355	4.065	3.400	M55302/27-167	530781-5	M55302/27-158	530780-5	M55302/27-149	530779-5
	110.62	103.25	86.36						
60	3.855	3.565	2.900	M55302/27-166	—	M55302/27-157	530780-4	M55302/27-148	530779-4
	97.92	90.55	73.66						
50	3.355	3.065	2.400	M55302/27-165	530781-3	M55302/27-156	530780-3	M55302/27-147	530779-3
	85.22	77.85	60.96						
40	2.855	2.565	1.900	M55302/27-164	530781-2	M55302/27-155	530780-2	M55302/27-146	530779-2
	72.52	65.15	48.26						
30	2.355	2.065	1.400	M55302/27-163	530781-1	M55302/27-154	530780-1	M55302/27-145	530779-1
	59.82	52.45	35.56						