

AS85049/82, AS85049/83, and AS85049/84 Banding Backshells



Crimp Ring
and Banding
Backshells

Glenair Connector Designator A

MIL-DTL-5015 Series 3400,
MIL-DTL-26482 Series 2,
AS81703 Series 3,
MIL-DTL-83723 Series I &
III, 40M39569, DEF 5326-3,
EN 2997, EN 3646,
ESC 10, ESC 11, LN 29504,
NFC93422 Series HE302,
PAN 6432-1, PAN 6432-2,
PATT 602

M85049/82-16 P 02

Basic Part No.:
M85049/82 = Straight
M85049/83 = 45°
M85049/84 = 90°

Entry Size

Finish

Shell Size

N = Electroless Nickel
P = Cadmium Olive Drab over
Electroless Nickel with
Polysulfide Sealant Strips
W = 1,000 Hour Cadmium Olive
Drab Over Electroless Nickel

Self Locking Coupling

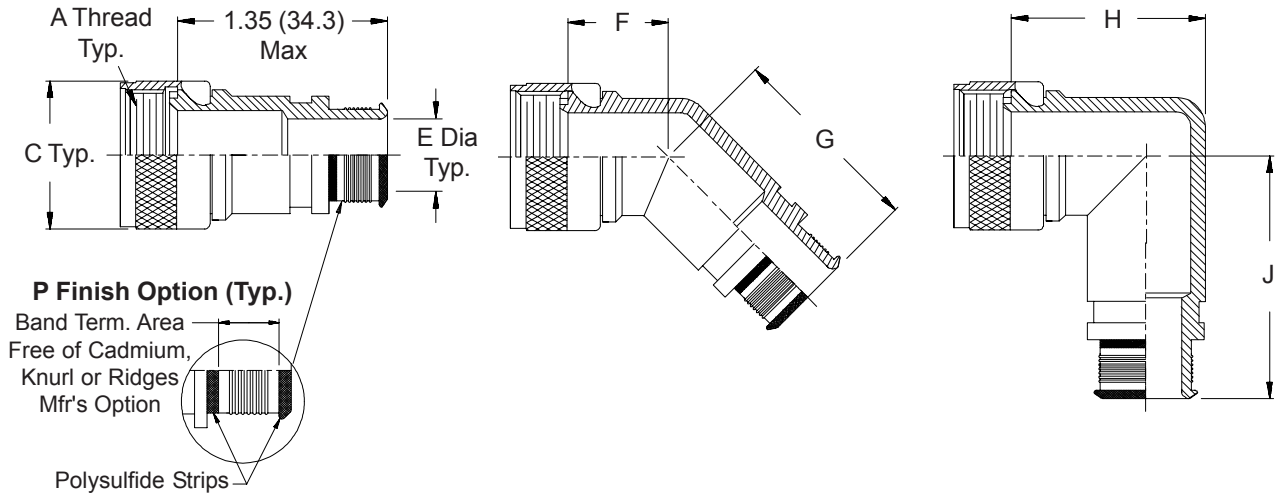


TABLE I

Shell Size	A Thread Class 2B	C Dia Max	E Dia		F Max	G Max	H Max	J Max
			Cable Entry Size 02 ±.010 (.3)	Cable Entry Size 03 ±.010 (.3)				
08	.500 - 20 UNF	.88 (22.4)	N/A	.250 (6.4)	.87 (22.1)	1.16 (29.5)	1.188 (30.2)	1.417 (36.0)
10	.625 - 24 UNEF	1.01 (25.7)	N/A	.312 (7.9)	.89 (22.6)	1.18 (30.0)	1.281 (32.5)	1.480 (37.6)
12	.750 - 20 UNEF	1.13 (28.7)	.312 (7.9)	.438 (11.1)	.92 (23.4)	1.20 (30.5)	1.406 (35.7)	1.542 (39.2)
14	.875 - 20 UNEF	1.26 (32.0)	.438 (11.1)	.562 (14.3)	.94 (23.9)	1.22 (31.0)	1.531 (38.9)	1.605 (40.8)
16	1.000 - 20 UNEF	1.38 (35.1)	.500 (12.7)	.625 (15.9)	.96 (24.4)	1.25 (31.8)	1.656 (42.1)	1.667 (42.3)
18	1.062 - 18 UNEF	1.51 (38.4)	.625 (15.9)	.750 (19.1)	.98 (24.9)	1.26 (32.0)	1.718 (43.6)	1.730 (43.9)
20	1.188 - 18 UNEF	1.63 (41.4)	.625 (15.9)	.812 (20.6)	1.00 (25.4)	1.29 (32.8)	1.844 (46.8)	1.792 (45.5)
22	1.313 - 18 UNEF	1.76 (44.7)	.688 (17.5)	.938 (23.8)	1.03 (26.2)	1.31 (33.3)	1.938 (49.2)	1.850 (47.0)
24	1.438 - 18 UNEF	1.88 (47.8)	.750 (19.1)	1.000 (25.4)	1.05 (26.7)	1.34 (34.0)	2.093 (53.2)	1.917 (48.7)
28	1.750 - 18 UNS	2.13 (54.1)	.875 (22.2)	1.125 (28.6)	1.10 (27.9)	1.38 (35.1)	2.531 (64.3)	2.042 (51.9)

1. For complete dimensions see applicable Military Specification.
2. Metric dimensions (mm) are indicated in parentheses.