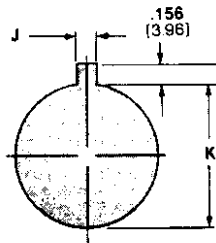


Multi-Pin Circular Commercial Connectors, 27 KVDC (Continued)



Recommended Panel Cutout for Bulkhead Mounting

Mounting Nut — maximum torque is 20 in.-lb. [.225 Nm].

Material

Housing, Cap Nut and Strain Relief

— Glass-reinforced polyester

O-Ring — Silicone rubber

Contacts — AMP Type II, gold plated per MIL-G-45204

Instruction Sheet — IS 408-9169

Hand Tools

24-20 AWG [0.2-0.6 mm²] —

Part Number 58305-1

18-16 AWG [0.8-1.4 mm²] —

Part Number 45098

14 AWG [2 mm²] —

Part Number 45098

Extraction Tool

Part Number 861751-1

Component Parts

Pin (loose piece) —

24-20 AWG [0.2-0.6 mm²]

Part Number 200679-1

18-16 AWG [0.8-1.4 mm²]

Part Number 200681-1

14 AWG [2 mm²]

Part Number 201645-1

Socket (loose piece) —

24-20 AWG [0.2-0.6 mm²]

Part Number 201328-1

18-16 AWG [0.8-1.4 mm²]

Part Number 200333-1

14 AWG [2 mm²]

Part Number 201568-1

O-ring (package of 50)

Part Number 862798-1

Potting shell/strain relief

(2, 3 and 4 contact plugs) —

Part Number 862544-1

Potting shell/strain relief

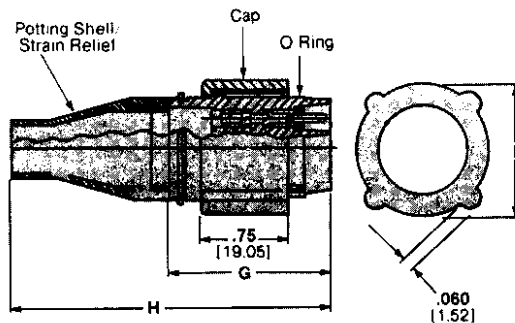
(6 and 7 contact plugs) —

Part Number 862695-1

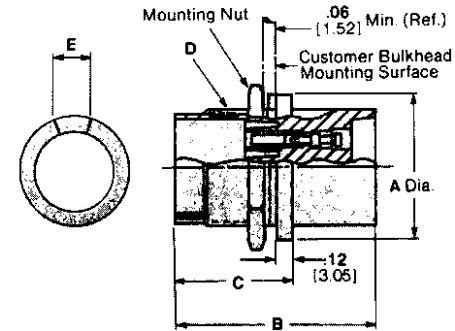
Potting shell (short, for 6 and 7 contact plugs, 1.125 [28.58] long) —

Part Number 863995-1

Plug



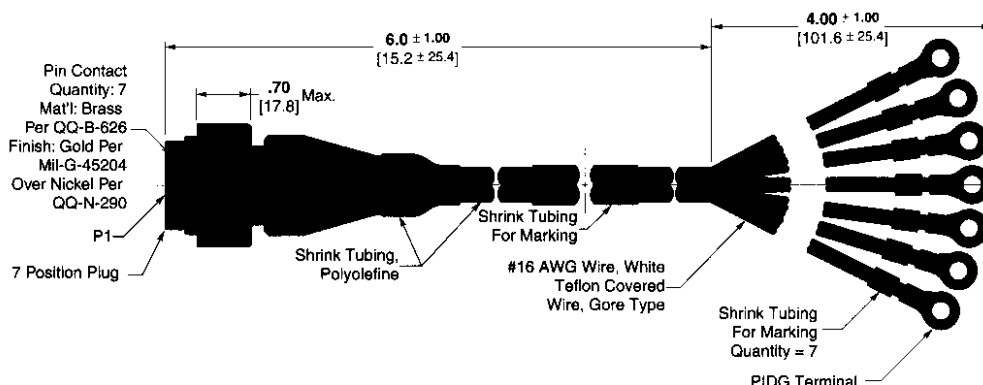
Receptacle



Dimensions

Contacts	A	B	C	D	E	F	G	H	J	K
2, 3, 4	1.25 31.75	1.75 44.45	1.00 25.4	1 (28 UN) 25.4	.125 3.18	1.31 33.27	1.38 35.05	2.00 50.8	1.56 3.96	1.015-1.031 25.78-26.19
6, 7	1.50 38.1	2.00 50.8	1.06 26.92	1.25 (20 UN) 31.75	.190 4.85	1.56 39.62	1.48 37.59	3.30 83.82	.203 5.16	1.260-1.270 32.00-32.26

Cable Assembly, 7 Pos. Plug



Part Number 447288-1

Note: 4-Pos. Receptacle Housing Dim. (Typ.)—1.75 [44.45] L x 1.25 [31.75] Dia.

Number of Contacts	Wire Range		Receptacle Kit (with sockets)	Plug Kit (with pins)	Plug (with Strain Relief) and Receptacle Kit
	AWG	mm ²			
2	24-20	0.2-0.6	859529-4	860261-4	863015-1
	18-16	0.8-1.4	859529-5	860261-5	863015-2
	14*	2	859529-6	860261-6	863015-3
3	24-20	0.2-0.6	859528-4	860263-4	863016-1
	18-16	0.8-1.4	859528-5	860263-5	863016-2
	14*	2	859528-6	860263-6	863016-3
4	24-20	0.2-0.6	859526-4	860265-4	863017-1
	18-16	0.8-1.4	859526-5	860265-5	863017-2
	14*	2	859526-6	860265-6	863017-3
6	24-20	0.2-0.6	859527-4	860267-4	863018-1
	18-16	0.8-1.4	859527-5	860267-5	863018-2
	14*	2	859527-6	860267-6	863018-3
7	24-20	0.2-0.6	861647-7	861648-7	863019-1
	18-16	0.8-1.4	861647-8	861648-8	863019-2
	14*	2	861647-9	861648-9	863019-3

Note: Contacts are packaged separately within the connector kit for shipment. Connectors are available with leads attached. *Use Type II, Size 16 contacts, with a wire barrel sized to accept 14 AWG conductor.

High Voltage Connectors