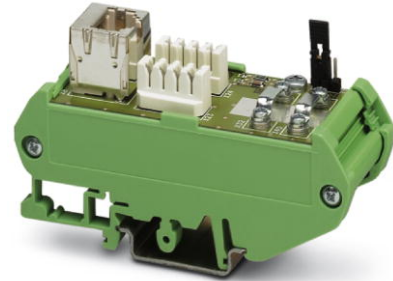


VS-PP-R-1XRJ45/5-LSA

Order No.: 1653032



<http://eshop.phoenixcontact.de/phoenix/treeViewClick.do?UID=1653032>

Patch panel, RJ45, DIN rail mounting, IP20, one slot, LSA connection, CAT5e, shielding over jumper can be selected

Commercial data	
GTIN (EAN)	4017918969998
sales group	D552
Pack	1 pcs.
Customs tariff	85366990
Weight/Piece	0.0722 KG
Catalog page information	Page 198 (PC-2009)

Product notes

WEEE/RoHS-compliant since:
08/15/2006



<http://www.download.phoenixcontact.com>
Please note that the data given here has been taken from the online catalog. For comprehensive information and data, please refer to the user documentation. The General Terms and Conditions of Use apply to Internet downloads.

Technical data

Mechanical characteristics	
Number of positions	8
Number of slots	1
Insertion/withdrawal cycles	≥ 200
Type of connection	LSA-PLUS
Conductor cross section	0.14 mm ² ... 0.34 mm ² (solid)

Connection cross section AWG	26 ... 22 (solid)
External cable diameter	5 mm ... 8.5 mm
Color	green
Ambient temperature (operation)	0 °C ... 70 °C

Material data

Inflammability class acc. to UL 94	V0
Housing material	PC
Contact carrier material	PBT
Contact material	Copper alloy
Contact surface material	Gold over nickel
Degree of protection	IP20

Electrical characteristics

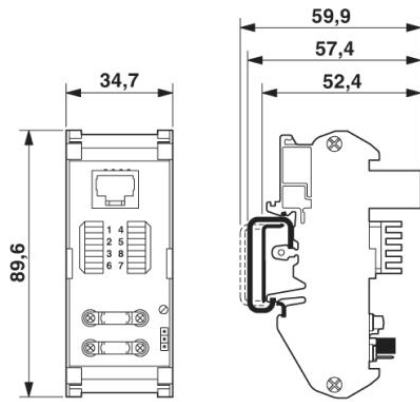
Number of positions	8
Transmission characteristics (category)	CAT5 (IEC 11801:2002), CAT5e (TIA 568B:2001)
Rated current	1 A

Accessories

Item	Designation	Description
General		
2765505	CT-WZ/A	Split-core tool for connecting cables to LSA-Plus strips
Tools		
1657407	VS-CABLE-STRIP-VARIO	Stripping tool, for the multi-level stripping of shielded cables

Diagrams/Drawings

Dimensioned drawing



Patch panel with one RJ45 connection

Address

PHOENIX CONTACT Inc., USA
586 Fulling Mill Road
Middletown, PA 17057, USA
Phone (800) 888-7388
Fax (717) 944-1625
<http://www.phoenixcon.com>



© 2010 Phoenix Contact
Technical modifications reserved;