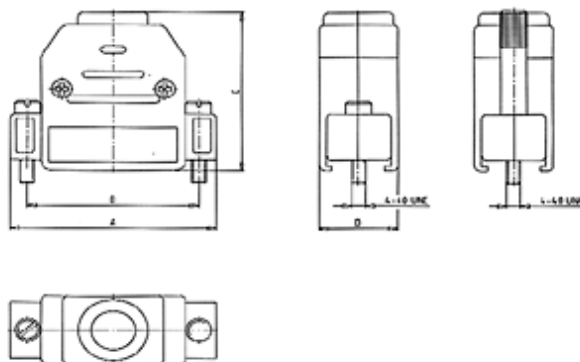




Plastic hood
with straight cable exit



(click on the schematic(s) for a more detailed view)



No. of Pos.	A	B	C	D
9	31.5	25.0	31.0	15.2
15	40.0	33.3	35.0	15.2
25	53.5	47.0	38.0	15.2
37	70.0	63.5	40.0	15.2
50	67.5	61.1	40.0	18.2

This series of straight cable exit hoods are available in black or metallized plastic. They are easy to assemble and come with short screwdriver actuated screws or longer jack screws.

Material:

- Hood: ABS UL 94 V-0 rated black or metallized
- Screws: brass, nickel plated

Part Numbers				
No. of Pos.	black		metallized	
	short screws 18mm	jack screws 38mm.	short screws 18mm	jack screws 38mm
9	600X50009X	600X51009X	600X52009X	600X53009X
15	600X50015X	600X51015X	600X52015X	600X53015X
25	600X50025X	600X51025X	600X52025X	600X53025X

37	600X50037X	600X51037X	600X52037X	600X53037X
50	600X50050X	600X51050X	600X52050X	600X53050X



File #: E202784



File #: LR115000

[Back](#)

[Search for CONEC Part #](#)