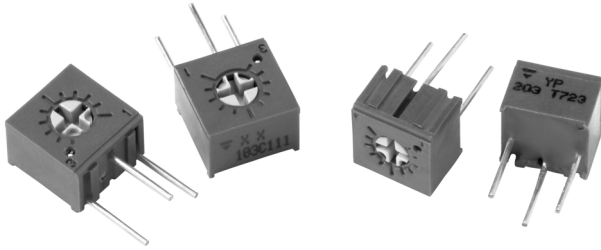


1/4" Square Single-Turn Cermet Sealed Trimmers

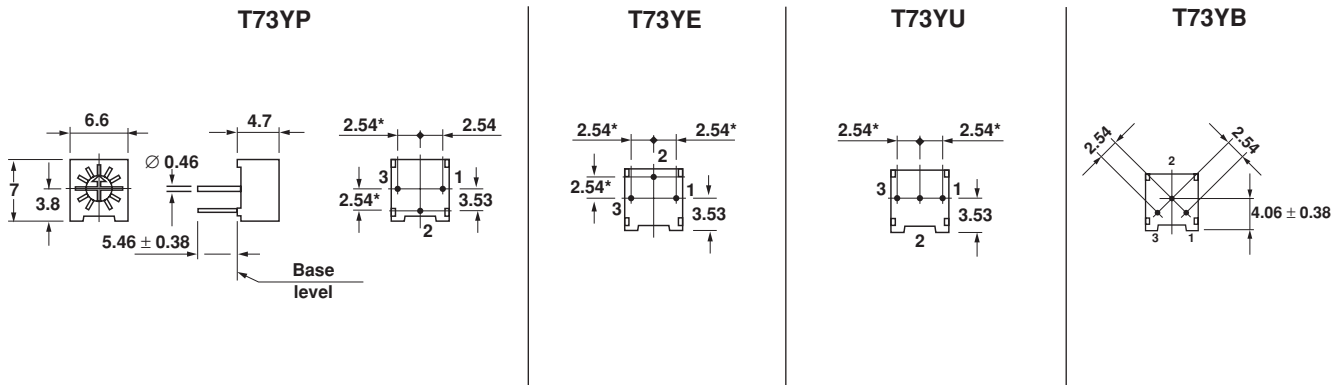
FEATURES

- Industrial grade
- Fully sealed
- Miniature package
- Rotor designed for automatic machine adjust interface
- Withstands harsh environments and immersion cleaning process

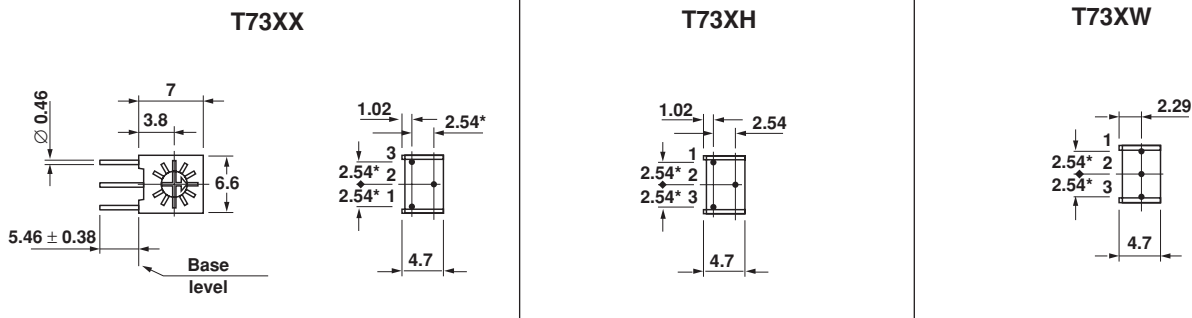


DIMENSIONS in millimeters

T73Y
Top adjust



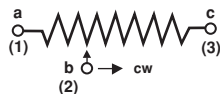
T73X
Side adjust



• Tolerances unless otherwise specified $\pm 0.25\text{mm}$.

Cruciform slot $\varnothing 3$
long 2.77, wide 0.64 - deep 0.89

CIRCUIT DIAGRAM





| ELECTRICAL SPECIFICATIONS | |
|----------------------------------|---------------------------------------|
| Resistive Element | Cermet |
| Electrical Travel | 240° nominal |
| Resistance Range | 10Ω to 2MΩ |
| Standard Series | 1 - 2 - 5 |
| Tolerance Standard | ± 10% |
| Power Rating | Linear Logarithmic |
| | 0.5W at 70°C not applicable |
| Temperature Coefficient | ± 100ppm/°C |
| Limiting Element Voltage | 300V |
| Contact Resistance Variation | 1% or 3Ω max. whichever is greater |
| Absolute Minimum Resistance | 1% or 2Ω max. whichever is greater |
| Adjustability | ± 0.05% voltage ± 0.15% resistance |
| Resolution | infinite |
| Insulation Resistance (500 V DC) | 10 ⁹ MΩ minimum |
| Dielectric Strength | 900Vac sea level 350Vac 80000 feet |

MECHANICAL SPECIFICATIONS

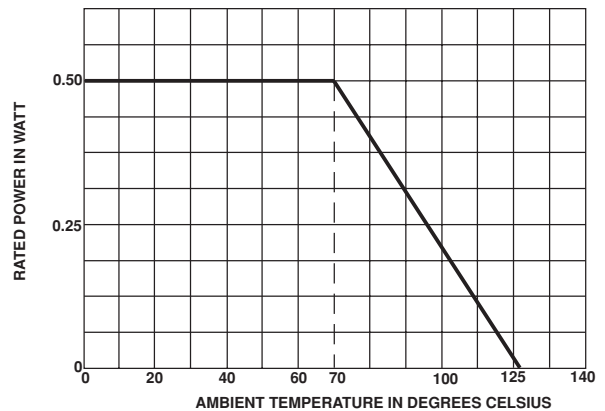
| | |
|-----------------------------|------|
| Mechanical Travel | 270° |
| Operating Torque (max. Ncm) | 2.1 |
| End Stop Torque (max. Ncm) | 4.9 |
| Unit Weight (max. g) | 0.6 |

ENVIRONMENTAL SPECIFICATIONS

| | |
|-------------------|-------------------|
| Temperature Range | - 55°C to + 125°C |
| Climatic Category | 55 / 100 / 56 |
| Seal Test | 85°C Fluorinert** |
| Flammability | UL 94-VO |

**Fluorinert is a registered trademark of 3M Co.

POWER RATING CHART



| PERFORMANCE | | |
|-----------------|----------------------------------|--|
| TESTS | CONDITIONS | TYPICAL VALUES AND DRIFTS |
| Load Life | 1000 hours - 0.5W at + 70°C | $\frac{\Delta R}{R} \leq 3\%$ CRV < 3Ω or 3% whichever is greater |
| Shock | 100g | $\frac{\Delta R}{R} < \pm 1\%$ $\frac{\Delta V}{V} < \pm 1\%$ |
| Vibration | 30g | $\frac{\Delta R}{R} < \pm 1\%$ $\frac{\Delta V}{V} \leq \pm 1\%$ |
| Humidity | Mil-STD202 method 103 - 96 hours | $\frac{\Delta R}{R} < \pm 2\%$ i.R. 10MΩ |
| Rotational Life | 200 cycles | $\frac{\Delta R}{R} < \pm 4\%$ CRV < 3Ω or 3% whichever is greater |



| STANDARD RESISTANCE ELEMENT DATA | | | | |
|----------------------------------|--------------------|----------------------|---------------------------|-------------------------|
| STANDARD RESISTANCE VALUES | LINEAR LAW | | | T.C. -55°C +125°C |
| | MAX. POWER AT 70°C | MAX. WORKING VOLTAGE | MAX. CUR. THROUGH ELEMENT | |
| Ω | W | V | mA | ppm/°C |
| 10 | 0.5 | 2.2 | 224 | ± 100 |
| 20 | ↓ | 3.2 | 160 | |
| 50 | | 5 | 100 | |
| 100 | | 7.1 | 70 | |
| 200 | | 10 | 50 | |
| 500 | | 15.8 | 32 | |
| 1k | | 22.4 | 22 | |
| 2k | | 31.6 | 16 | |
| 5k | | 50 | 10 | |
| 10k | | 70.7 | 7.1 | |
| 20k | | 100 | 5 | |
| 50k | 158.1 | 3.2 | | |
| 100k | 0.50 | 223.6 | 2.2 | |
| 200k | 0.45 | 300 | 1.5 | |
| 500k | 0.18 | 300 | 0.60 | |
| 1M | 0.09 | 300 | 0.30 | |
| 2M | 0.05 | 300 | 0.15 | |

MARKING

Printed: VISHAY trademark, resistance code, terminal numbers, date code, manufacturer's model number and style.

| PACKAGING |
|---|
| - In tube by 50 pieces, code TU50 |
| - Tape and reel for model YU, code TR750 and XW, code TR100 |

| ORDERING INFORMATION | | | | |
|----------------------|----------------|----------------------------|-----------------|-------------------------------------|
| T73 SERIES | YP STYLE | 500KΩ OHMIC VALUE | ± 10% TOLERANCE | TU50 PACKAGING |
| | XX XH XW | YP YE YU YM YB | | TU50 On request: TR750 TR1000 |

| SAP PART NUMBERING GUIDELINES | | | | | | | | | | | | | | |
|---|---|---|-------|---|-------------|---|---|-----|----------------|---|---|-------------------------|--|--|
| T | 7 | 3 | Y | P | 5 | 0 | 4 | K | T | 2 | 0 | | | |
| MODEL | | | STYLE | | OHMIC VALUE | | | TOL | PACKAGING CODE | | | SPECIAL (IF APPLICABLE) | | |
| See the end of this data book for conversion tables | | | | | | | | | | | | | | |



Notice

Specifications of the products displayed herein are subject to change without notice. Vishay Intertechnology, Inc., or anyone on its behalf, assumes no responsibility or liability for any errors or inaccuracies.

Information contained herein is intended to provide a product description only. No license, express or implied, by estoppel or otherwise, to any intellectual property rights is granted by this document. Except as provided in Vishay's terms and conditions of sale for such products, Vishay assumes no liability whatsoever, and disclaims any express or implied warranty, relating to sale and/or use of Vishay products including liability or warranties relating to fitness for a particular purpose, merchantability, or infringement of any patent, copyright, or other intellectual property right.

The products shown herein are not designed for use in medical, life-saving, or life-sustaining applications. Customers using or selling these products for use in such applications do so at their own risk and agree to fully indemnify Vishay for any damages resulting from such improper use or sale.