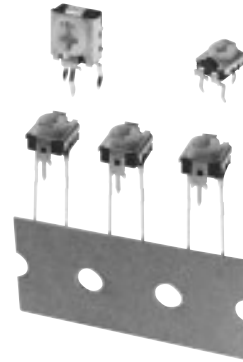


6FE Square Trimmer Potentiometers

Type: **EVND**



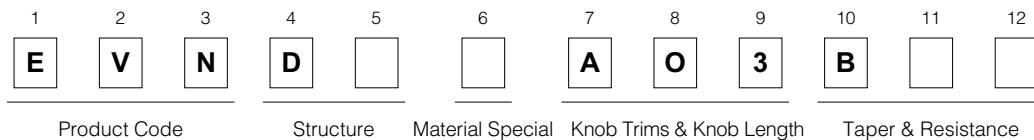
■ Features

- Top-adjust or side-adjust available
- Radial tapering supported
- High reliability (dustproof construction)

■ Recommended Applications

- Audio Visual Equipment, Home Electrical Appliances

■ Explanation of Part Numbers



■ Specifications

| | | |
|-------------------------------|----------------------------------|---|
| Electrical Specifications | Nominal Total Resistance | 500 Ω to 1 MΩ |
| | Taper | B |
| | Rating | R ≤ 500 kΩ : 0.1 W 50 V (50 °C) R > 500 kΩ : 0.1 W 25 V (50 °C) |
| | Residual Resistance | R ≤ 1 kΩ : 30 Ω max., 1 kΩ < R ≤ 2 kΩ : 60 Ω max. 2 kΩ < R ≤ 1 MΩ : 3 % max., or 200 Ω max. whichever smaller |
| Mechanical Specifications | Rotation Angle | 210 ° ± 20 ° |
| | Rotation Torque | 2 mN·m to 25 mN·m |
| | Stopper Strength | Surface : 75 mN·m, reverse side : 35 mN·m |
| Endurance | Operating Life | 100 cycles |
| | Resistance to Soldering Heat | 240 °C to 280 °C : 5 s max., 280 °C to 300 °C : 3 s max. |
| | Resistance to Damp | After 350 hours : R ≤ 100 kΩ +15 % -0 %, : 100 kΩ < R ≤ 1 MΩ +20 % -0 % |
| | Endurance under Damp | After 350 hours : 1.5 h ON 0.5 h OFF : R ≤ 100 kΩ ± 15 %, : 100 kΩ < R ≤ 1 MΩ ± 20 % |
| | Endurance under High Temperature | 70 °C ± 3 °C After 250 hours +5 % , -15 % |
| Minimum Quantity/Packing Unit | | EVND2A, EVND8A : 500 pcs. Polyethylene Bag (Bulk) EVNDJA, EVNDXA, EVNDCA : 1000 pcs. Radial Taping (Reel Pack) |
| Quantity/Carton | | EVND2A, EVND8A : 5000 pcs. EVNDJA, EVNDXA, EVNDCA : 10000 pcs. |

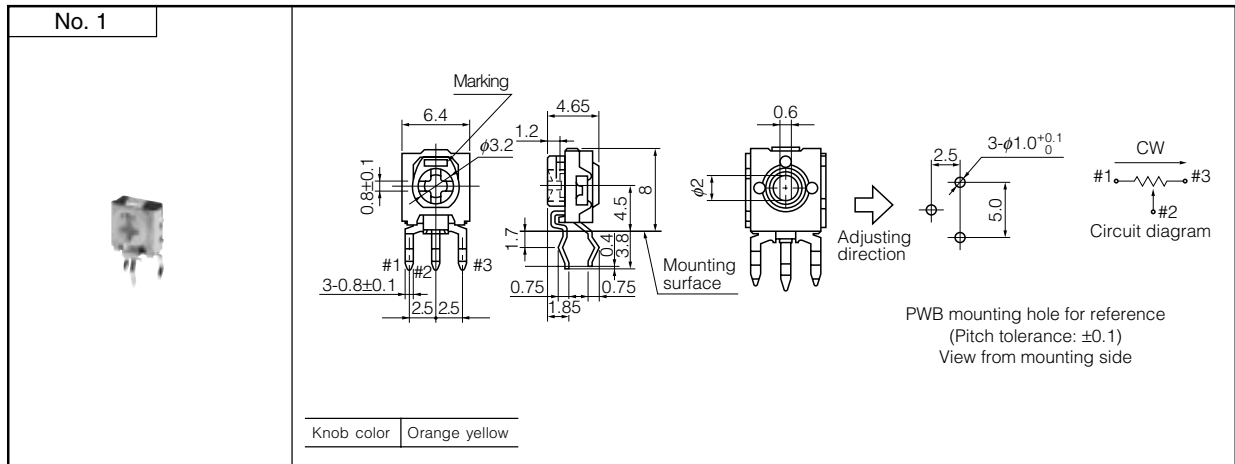
Note : R=Nominal Total Resistance

Design and specifications are each subject to change without notice. Ask factory for the current technical specifications before purchase and/or use. Should a safety concern arise regarding this product, please be sure to contact us immediately.

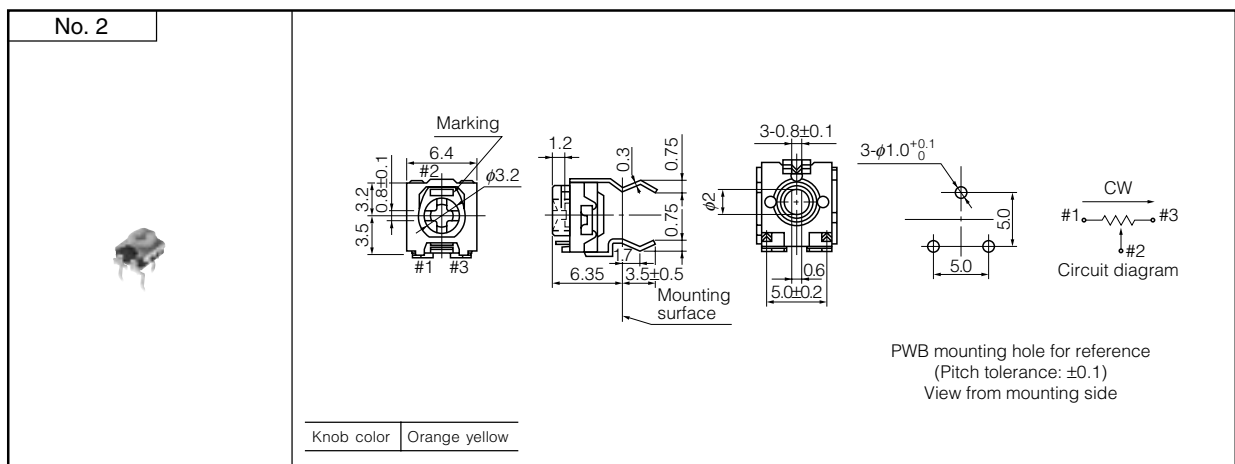
00 Sep. 2010

■ Dimensions in mm (not to scale)

● Side-adjust EVND2A

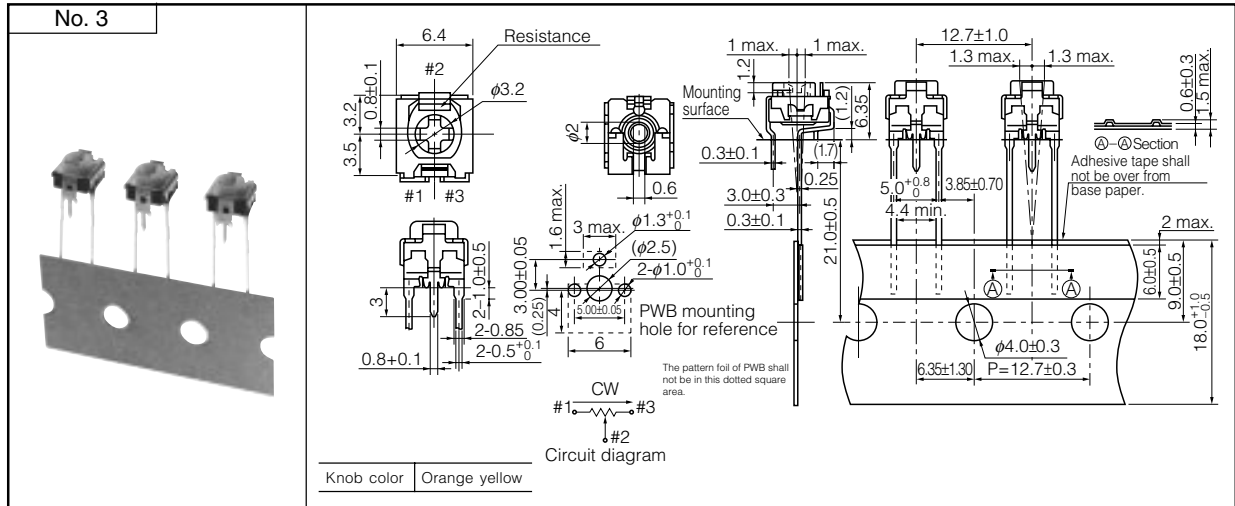


● Top-adjust EVND8A

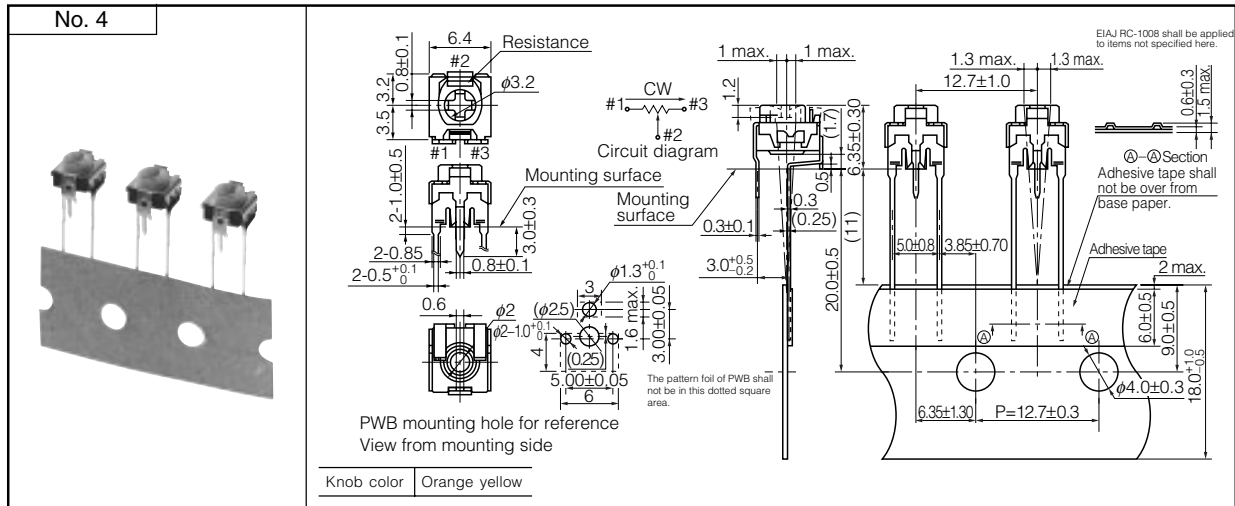


Radial Taping Products

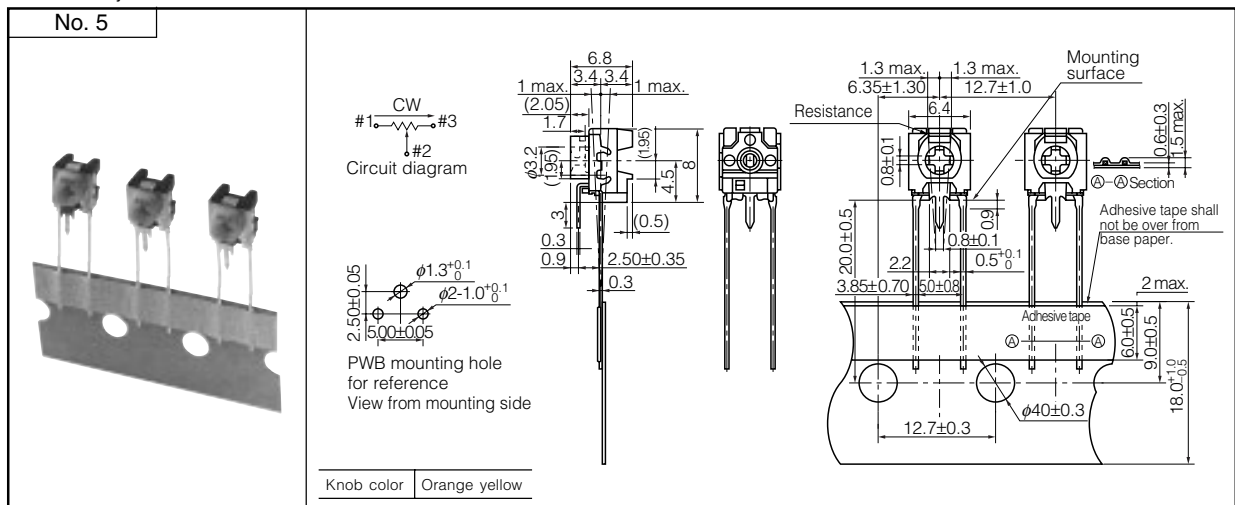
Top-adjust.....EVNDJA



Top-adjust.....EVNDXA



Side-adjust.....EVNDCA



Design and specifications are each subject to change without notice. Ask factory for the current technical specifications before purchase and/or use. Should a safety concern arise regarding this product, please be sure to contact us immediately.