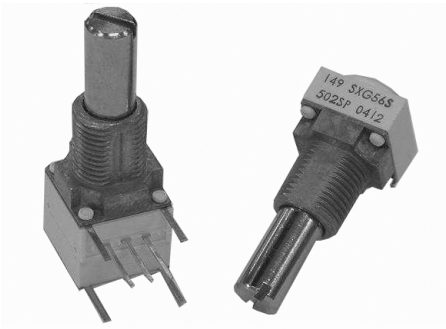


1/2" (12.7mm) Conductive Plastic and Cermet Potentiometers



148 FEATURES

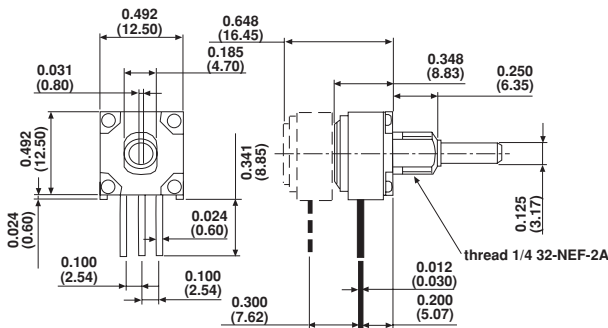
- Conductive Plastic Element
- High Rotational Life
- Quiet Electrical Output
- Robust Construction

149 FEATURES

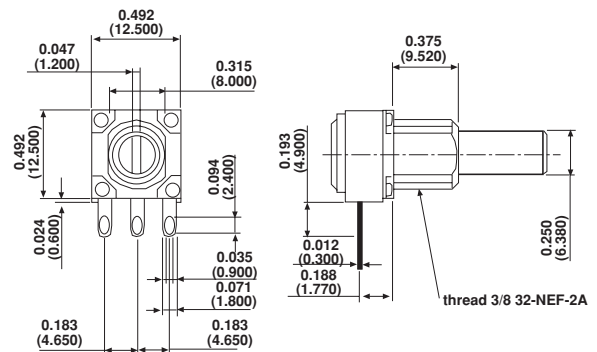
- Cermet Element
- Temperature Stable
- Robust Construction

DIMENSIONS in inches (millimeters)

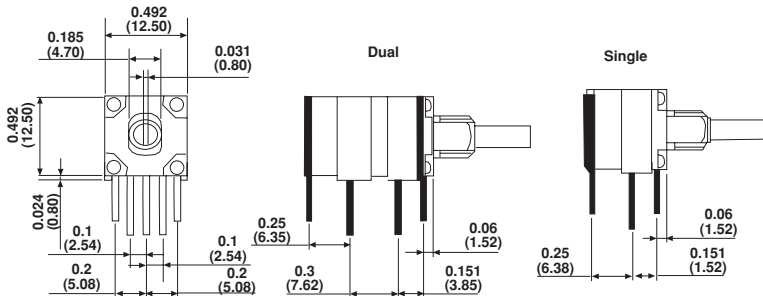
SINGLE, DUAL OR TRIPLE



SOLDER LUG TERMINALS



FRONT AND REAR SUPPORT PLATES
E = Flush with board surface



MOUNTING ACCESSORIES: PRODUCT IS SUPPLIED WITH A NUT & WASHER

OPTIONAL FEATURES

Up to three sections PC support plates
Rotary switches, detents, Solder lugs terminals.

CONSTRUCTION MATERIALS

Housing - Molded thermoplastic white
Shaft - Brass, nickel plated



ELECTRICAL SPECIFICATIONS		
PARAMETER	148	149
Resistance Range	1kΩ to 1MΩ linear 500Ω to 500kΩ non-linear	100Ω to 2.0MΩ linear 250Ω to 1MΩ non-linear
Resistance Tolerance	Standard ± 10% to 500K, ± 20% over 500K	
Linear	Standard ± 10% to 100K, ± 20% over 100K	
Non-Linear	20% of the Nominal R at 50 mechanical rotation	
Taper Tolerance	± 5% Independent	
Linearity (Typical)	4Ω maximum each end	
End Resistance	0.5 watts @ 70°C 0 watts @ 120°C	1 watt @ 70°C 0 watt @ 150°C
Power Rating	Non-Linear or PC mount, derate 50%	
Effective Rotation	270° ± 10° without rotary switch 240° ± 10° with rotary switch	
Contact Resistance Variation	1.5% of total resistance	3% of total resistance
Maximum Continuous Working Voltage	350VAC across end terminals, but within power rating	
Dielectric Withstanding Voltage	Sea Level - 750VAC 70,000 feet - 350VAC	
Switch Specifications	Rotary (AL) switch: S.P.S.T and S.P.D.T 125mA, 28VDC CCW or CW, rotational life 10,000 cycles (rated load)	

MECHANICAL SPECIFICATIONS	
Mechanical Rotation	300° ± 5°
Torque	
Operating	Single section 0.2 to 3.0 oz - in Dual or triple section 0.3 to 4.5 oz - in
Center Detent	0.6 to 3.0 oz - in
Stop Strength	3 in - lbs min
Weight (approx)	
Single	0.19 oz
Dual	0.27 oz
Triple	0.35 oz

ENVIRONMENTAL SPECIFICATIONS		
	148	149
Operating Temperature	- 40°C to + 120°C	- 40°C to + 150°C
Storage Temperature	- 55°C to + 120°C	- 55°C to + 150°C
Temperature Cycling (5 Cycles)	- 40°C to + 120°C (4% ΔRt)	- 40°C to + 150°C (3% ΔRt)
Load Life (1000hrs. Rated Load at 70°C)	10% ΔRt	5% ΔRt
Rotational Load Life	50,000 cycles	25,000 cycles
TCR	± 1000ppm/°C	± 150ppm/°C



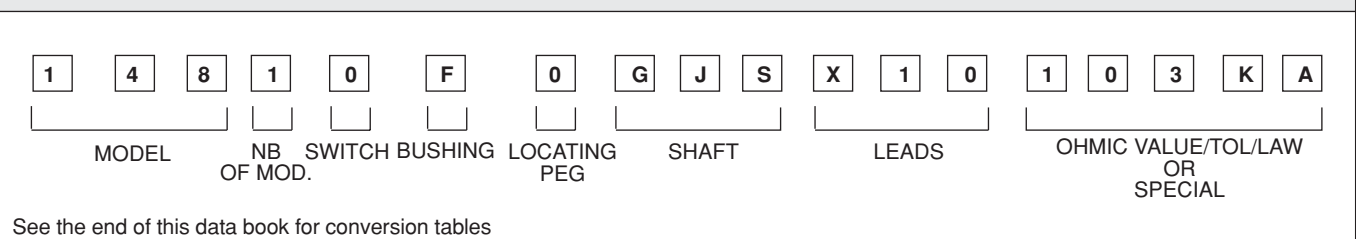
MARKING

Unit Identification: Ink stamp on periphery

ORDERING INFORMATION

148 MODEL	S NUMBER OF SECTIONS	X MECHANICAL CONFIGURATION	G METRIC BUSHING SIZE & SHAFT	56 SHAFT LENGTH	S SHAFT STYLE	103 RESISTANCE CODE Ω	S TAPER	P TERMINAL CONFIGURATION
148 CP 149 Cer	S: Single D: Duals, T: Triple	X: None (single shaft D, T sections) S: Single w/rotary switch P: Dual w/rotary switch	N: 1/4 Dia x 1/4L Shaft 1/8 Dia J: 1/4 Dia x 3/8 L Shaft, 1/8 Dia G: 3/8 Dia x 3/8 L Shaft, 1/4 Dia	FROM THE MOUNTING SURFACE Shaft length code 32: 1/2 in 40: 5/8 in 48: 3/4 in 56: 7/8 in 64: 1 in 80: 1 1/4 in	S: Slotted F: Flatted P: Plain	EIA code - first 2 significant digits 3rd is number of zeros 100 10K 500K 250 20K 750K 500 25K 1meg 750 50K 2meg 1K 75K 2.5K 100K 5K 250K	S: Linear ± 10% Z: CW Log, ± 10% to 500KΩ ± 20% over 500K R: CCW Log, ± 10% to 500K Ω ± 20% over 500K	P: PC, 0.250 E: PC terminals with E support plate S: Solder lugs

SAP PART NUMBERING GUIDELINES





Notice

Specifications of the products displayed herein are subject to change without notice. Vishay Intertechnology, Inc., or anyone on its behalf, assumes no responsibility or liability for any errors or inaccuracies.

Information contained herein is intended to provide a product description only. No license, express or implied, by estoppel or otherwise, to any intellectual property rights is granted by this document. Except as provided in Vishay's terms and conditions of sale for such products, Vishay assumes no liability whatsoever, and disclaims any express or implied warranty, relating to sale and/or use of Vishay products including liability or warranties relating to fitness for a particular purpose, merchantability, or infringement of any patent, copyright, or other intellectual property right.

The products shown herein are not designed for use in medical, life-saving, or life-sustaining applications. Customers using or selling these products for use in such applications do so at their own risk and agree to fully indemnify Vishay for any damages resulting from such improper use or sale.