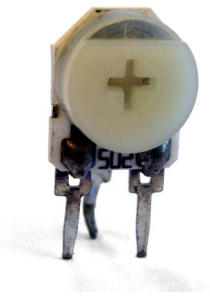


Model 37
9 mm Single-Turn
Open Frame
Cermet Trimming
Potentiometer

New Product

RoHS Compliant



STYLES AVAILABLE

Top Adjust (with extension)	37F
Top Adjust	37P
Side Adjust	37W
Side Adjust (with extension)	37S

ELECTRICAL¹

Resistance Range	100 to 1,000,000 Ohms
Standard Resistance Tolerance	± 20%
Input Voltage, Maximum	250 V
Power rating, Watts	0.5 @ 70°C
End Resistance, Maximum	<500 ohms: 10 Ohms Max; > 500 ohms: 2% Max.
Actual Electrical Travel	280° ±15°
Insulation Resistance, Minimum	100 Megohms
Resolution	Essentially infinite
Contact Resistance Variation	5% Max.
Temperature Coefficient of Resistance	±250 ppm/°C

MECHANICAL

Torque, Maximum	4.5 in. oz.
Weight, Approx.	0.01 oz.
Wiper Position	Approx. 50%

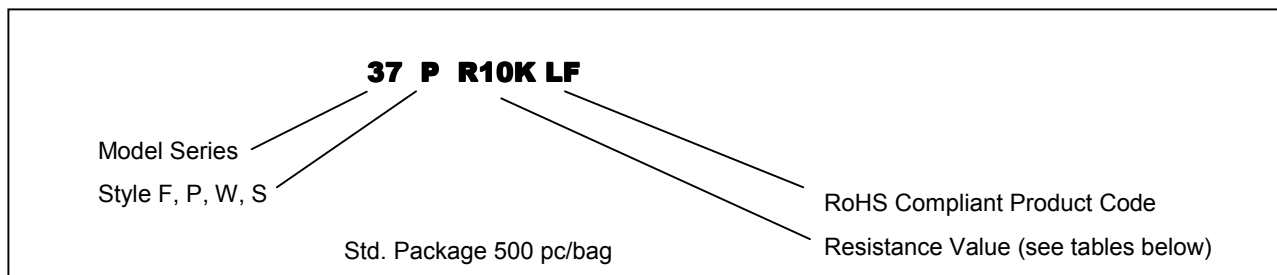
¹ Specifications subject to change without notice.

Model 37

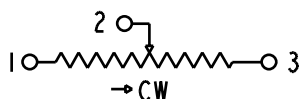
ENVIRONMENTAL

Operating Temperature Range	-30°C to +100°C
Rotational Life, 50 Cycles	±10% ΔR
Load Life, 0.5W, 500 Hours, 70°C	±5% ΔR
Resistance to Solder Heat	260°C for 3 sec.
Aqueous cleaning not recommended	

ORDERING INFORMATION²



CIRCUIT DIAGRAM



STANDARD RESISTANCE VALUES AND MARKING

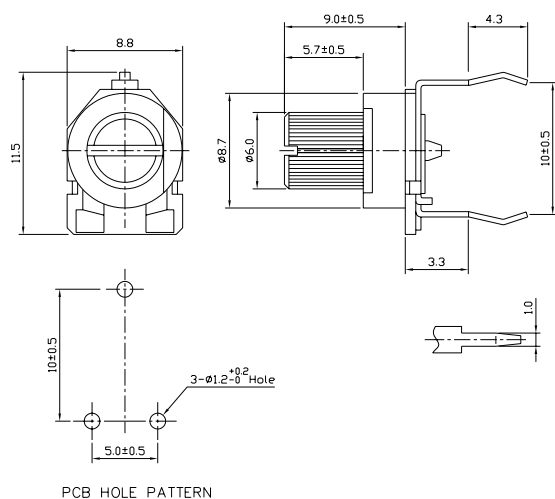
Resistance (ohms)	Part Marking
100	101
200	201
500	501
1K	102
2K	202
5K	502
10K	103
20K	203
50K	503
100K	104
200K	204
500K	504
1MEG	105

² Contact our customer service for custom designs and features.

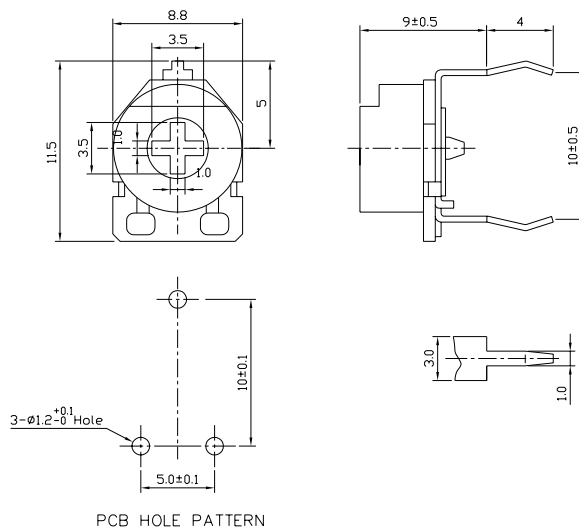
Model 37

OUTLINE DRAWING³

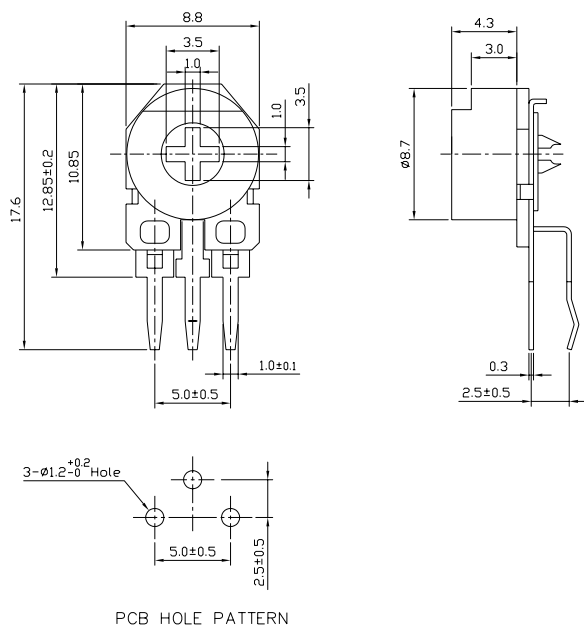
Model 37F (Top Adjust with extension)



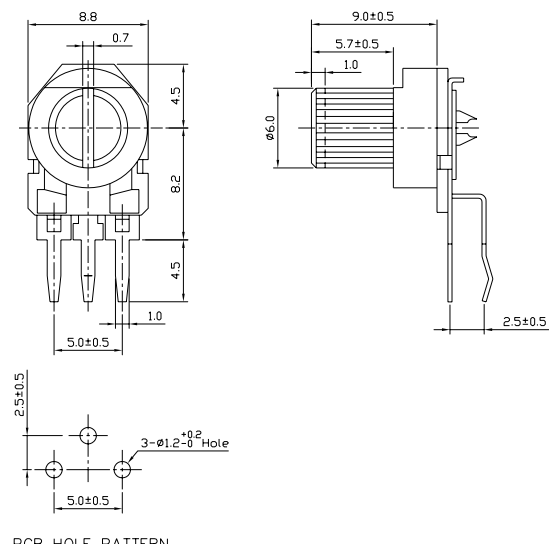
Model 37P (Top Adjust)



Model 37W (Side Adjust)



Model 37S (Side Adjust with extension)



³ Dimensions are in millimeters

BI Technologies Corporation
4200 Bonita Place, Fullerton, CA 92835 USA

Phone: 714 447 2345 Website: www.bitechnologies.com

October 11, 2006

page 3 of 3