

MODEL 40
6 mm Single-Turn
Open Frame
Carbon Trimming Potentiometer
RoHS Compliant

New Product



STYLES AVAILABLE

Top Adjust	40P
Side Adjust	40S
Side Adjust (Two Pins)	40B
Side Adjust (3 Pins in-line)	40W

ELECTRICAL¹

Resistance Range	100 to 1,000,000 Ohms
Standard Resistance Tolerance	± 30%
Input Voltage, Maximum	100 V
Power rating, Watts	0.1 @ 50°C
End Resistance, Maximum	<1K: 30 Ohms Max; > 1K: 5% Max.
Actual Electrical Travel	200° ±20°
Contact Resistance Variation	10% Max.
Temperature Coefficient of Resistance	±1000 ppm/°C

MECHANICAL

Torque, Maximum	2.5 in. oz. Max.
Weight, Approx.	0.01 oz.
Wiper Position	Approx. 50%

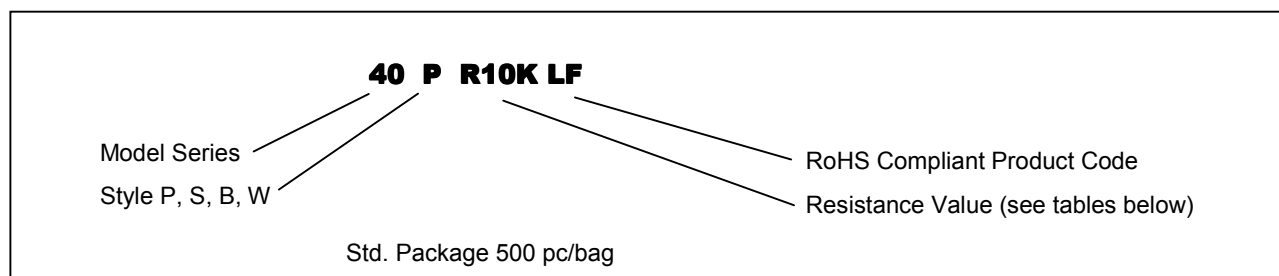
¹ Specifications subject to change without notice.

MODEL 40

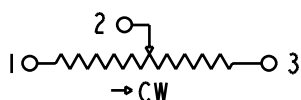
ENVIRONMENTAL

Operating Temperature Range	-10°C to +70°C
Load Life, 0.1W, 500 Hours, 50°C	±20% ΔR
Resistance to Solder Heat	260°C for 3 sec.
Aqueous cleaning not recommended	

ORDERING INFORMATION²



CIRCUIT DIAGRAM



STANDARD RESISTANCE VALUES AND MARKING

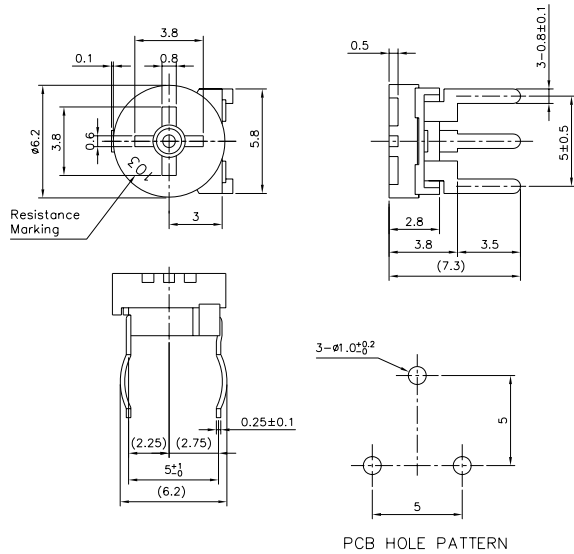
Resistance (ohms)	Part Marking
100	101
200	201
500	501
1K	102
2K	202
5K	502
10K	103
20K	203
50K	503
100K	104
200K	204
500K	504
1MEG	105

² Contact our customer service for custom designs and features.

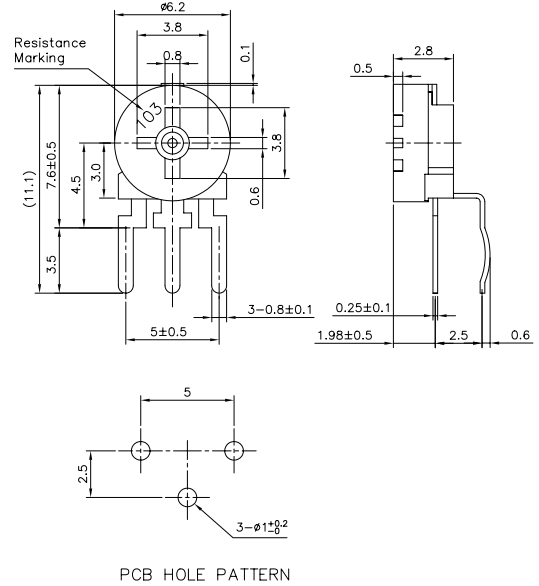
MODEL 40

OUTLINE DRAWING³

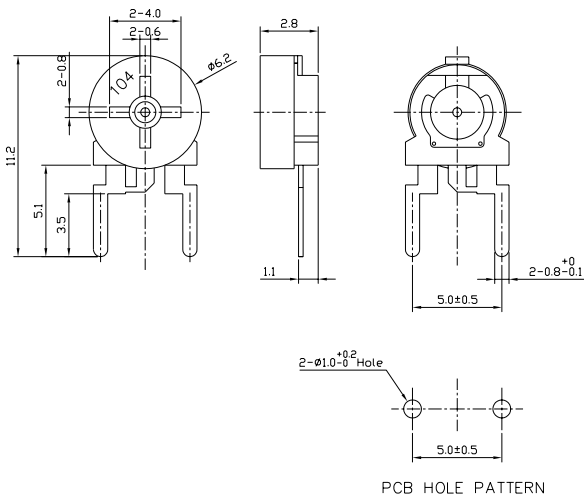
Model 40P (Top Adjust)



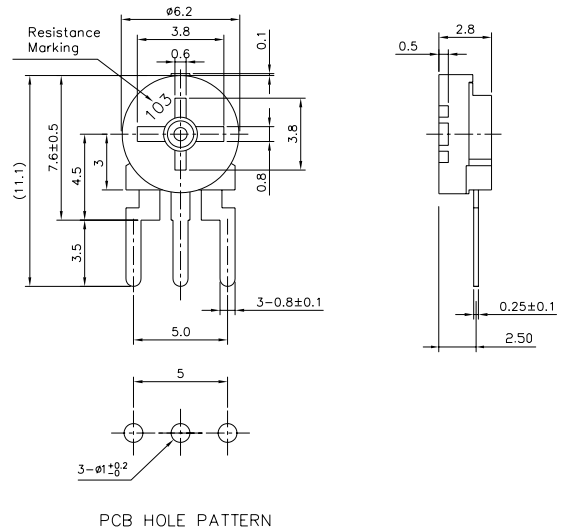
Model 40S (Side Adjust)



Model 40B (Side Adjust with 2 pins)



Model 40W (Side Adjust with 3 pins in-line)



³ Dimensions are mm