

MODEL 40
6 mm Single-Turn
Open Frame
Carbon Trimming Potentiometer
RoHS Compliant

New Product



STYLES AVAILABLE

| | |
|------------------------------|-----|
| Top Adjust | 40P |
| Side Adjust | 40S |
| Side Adjust (Two Pins) | 40B |
| Side Adjust (3 Pins in-line) | 40W |

ELECTRICAL¹

| | |
|---------------------------------------|---------------------------------|
| Resistance Range | 100 to 1,000,000 Ohms |
| Standard Resistance Tolerance | ± 30% |
| Input Voltage, Maximum | 100 V |
| Power rating, Watts | 0.1 @ 50°C |
| End Resistance, Maximum | <1K: 30 Ohms Max; > 1K: 5% Max. |
| Actual Electrical Travel | 200° ±20° |
| Contact Resistance Variation | 10% Max. |
| Temperature Coefficient of Resistance | ±1000 ppm/°C |

MECHANICAL

| | |
|-----------------|------------------|
| Torque, Maximum | 2.5 in. oz. Max. |
| Weight, Approx. | 0.01 oz. |
| Wiper Position | Approx. 50% |

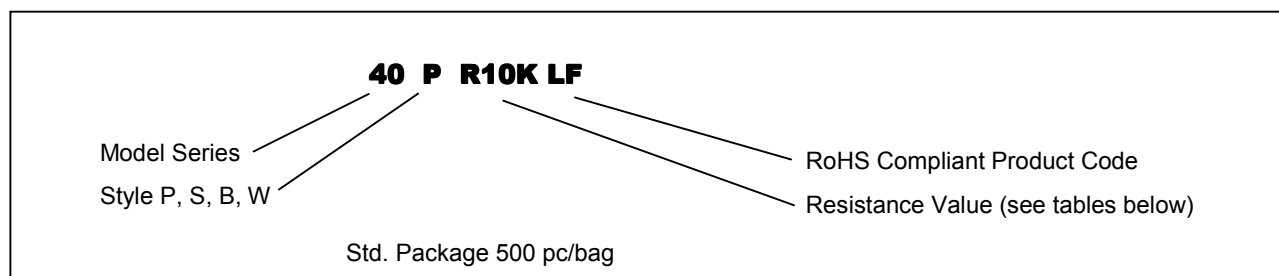
¹ Specifications subject to change without notice.

MODEL 40

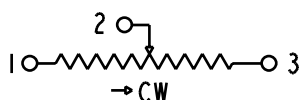
ENVIRONMENTAL

| | |
|----------------------------------|------------------|
| Operating Temperature Range | -10°C to +70°C |
| Load Life, 0.1W, 500 Hours, 50°C | ±20% ΔR |
| Resistance to Solder Heat | 260°C for 3 sec. |
| Aqueous cleaning not recommended | |

ORDERING INFORMATION²



CIRCUIT DIAGRAM



STANDARD RESISTANCE VALUES AND MARKING

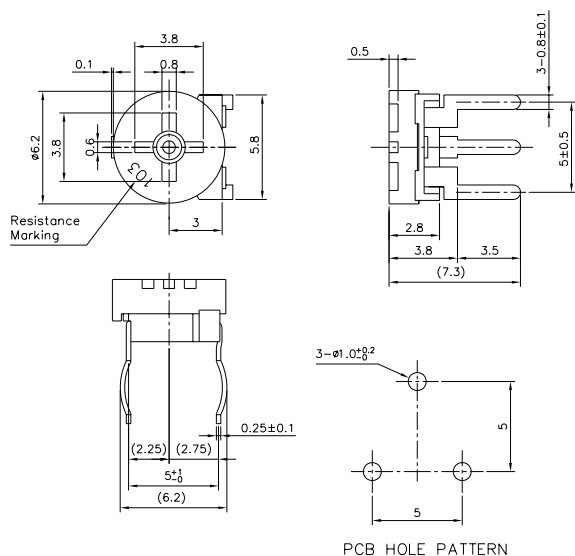
| Resistance (ohms) | Part Marking |
|-------------------|--------------|
| 100 | 101 |
| 200 | 201 |
| 500 | 501 |
| 1K | 102 |
| 2K | 202 |
| 5K | 502 |
| 10K | 103 |
| 20K | 203 |
| 50K | 503 |
| 100K | 104 |
| 200K | 204 |
| 500K | 504 |
| 1MEG | 105 |

² Contact our customer service for custom designs and features.

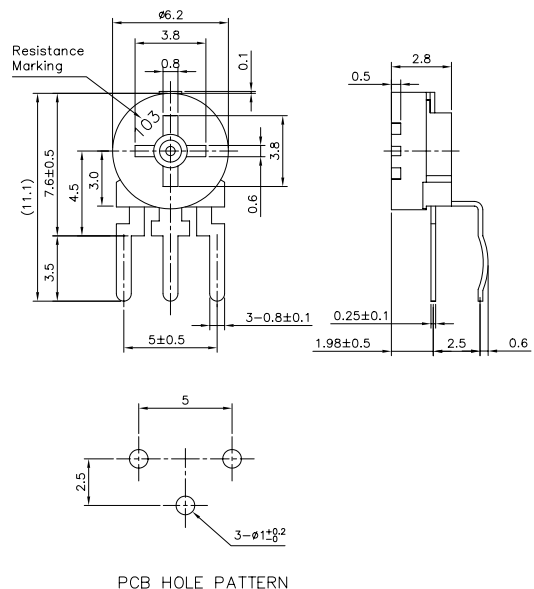
MODEL 40

OUTLINE DRAWING³

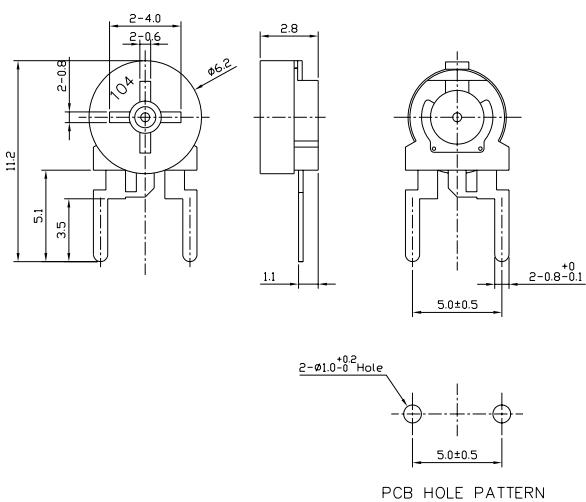
Model 40P (Top Adjust)



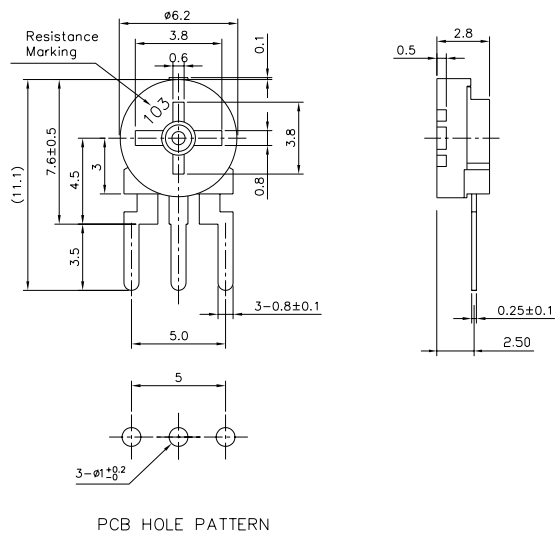
Model 40S (Side Adjust)



Model 40B (Side Adjust with 2 pins)



Model 40W (Side Adjust with 3 pins in-line)



³ Dimensions are mm