

Features

- Carbon element
 - Insulated shaft
 - Snap-in clip
 - Center detent
 - Center tap option
 - Assorted pin layouts
- Dual gang option
 - Various taper options

PTV/PTT Series - 12 mm Potentiometer

Electrical Characteristics

Taper..... Linear, audio
 Standard Resistance Range
 1 K ohms to 1 M ohms
 Standard Resistance Tolerance..... ±20 %
 Residual Resistance..... 1 % max.

Environmental Characteristics

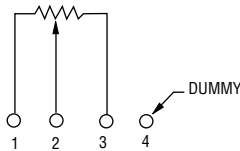
Operating Temperature
 -10 °C to +50 °C
 Power Rating 0.05 Watt
 Maximum Operating Voltage
 50 V AC, 20 V DC
 Sliding Noise 100 mV max.

Mechanical Characteristics

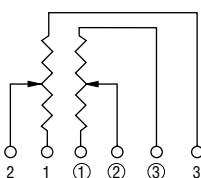
Mechanical Angle 300 ° ±5 °
 Rotational Torque 20 to 200 g-cm
 Detent Torque 30 to 300 g-cm
 Stop Strength
 no bushing 3 kg-cm min.
 with bushing..... 3 kg-cm min.
 Rotational Life 15,000 cycles
 Soldering Condition
 300 °C max. within 3 seconds
 Hardware One flat washer and
 mounting nut supplied per
 potentiometer with bushing

Electrical Diagrams

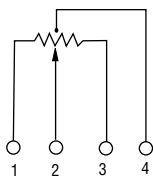
MODEL PTV 111



MODEL PTV 112

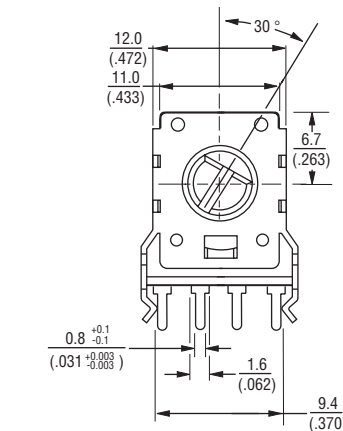
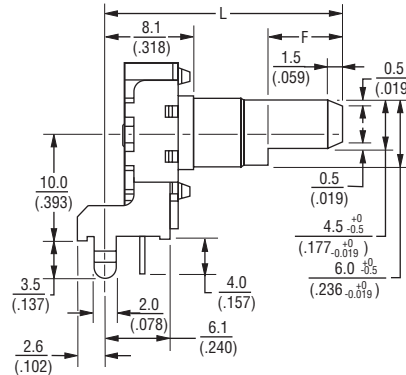


MODEL PTT 111

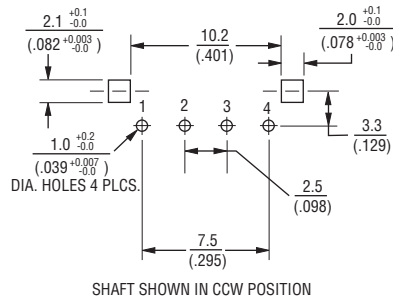


Product Dimensions

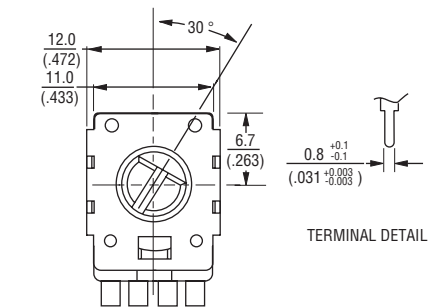
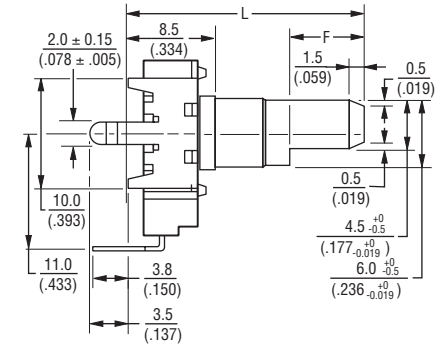
PTV111-2



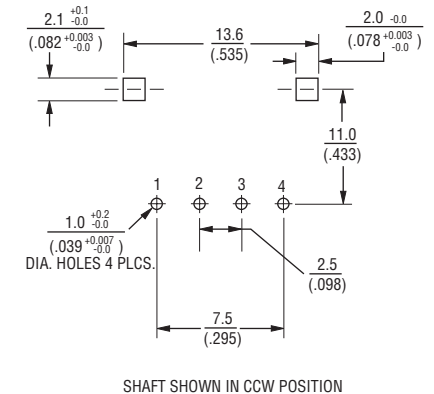
RECOMMENDED PCB LAYOUT



PTV111-4



RECOMMENDED PCB LAYOUT



Dimensions Without Bushing

L	15 (.591)	20 (.787)	22.5 (.886)	25 (.984)	27.5 (1.083)
F	4.5 (.177)	7 (.276)	7 (.276)	12 (.472)	12 (.472)

DIMENSIONS: $\frac{\text{MM}}{\text{(INCHES)}}$

*RoHS Directive 2002/95/EC Jan 27 2003 including Annex Specifications are subject to change without notice. Customers should verify actual device performance in their specific applications.

Applications

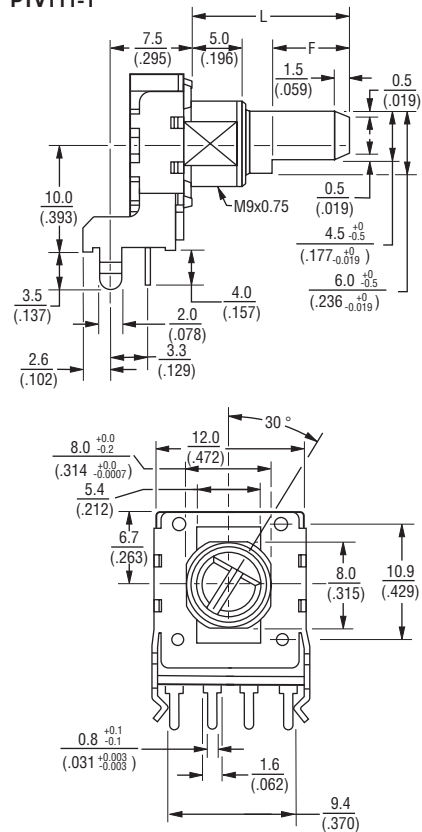
- Audio/TV sets
- Car radio
- Amplifiers/mixers/drum machines/synthesizers
- PCs/monitors
- Appliances

PTV/PTT Series - 12 mm Potentiometer

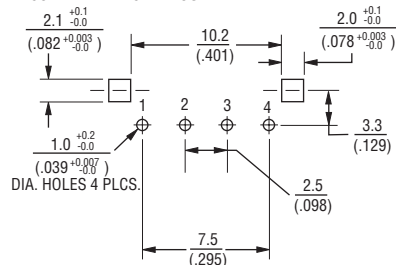
BOURNS®

Product Dimensions

PTV111-1

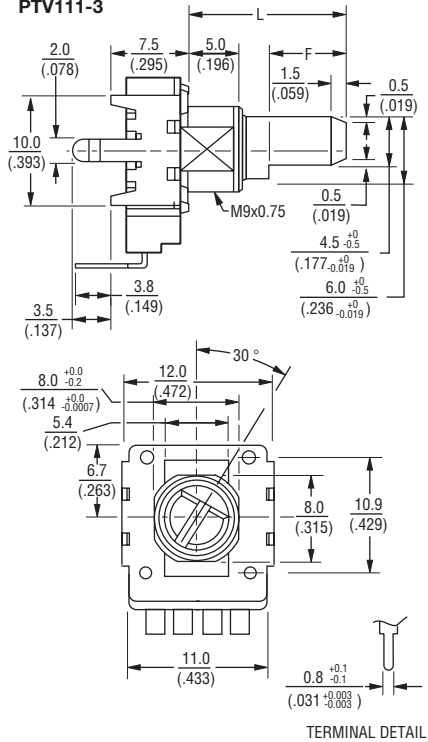


RECOMMENDED PCB LAYOUT



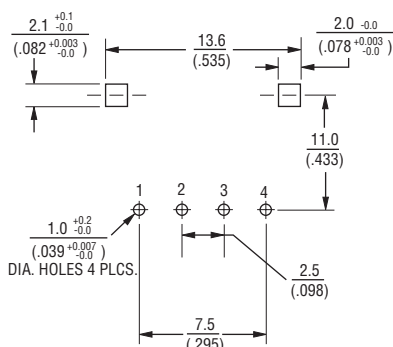
SHAFT SHOWN IN CCW POSITION

PTV111-3



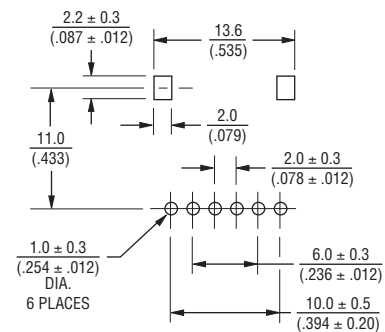
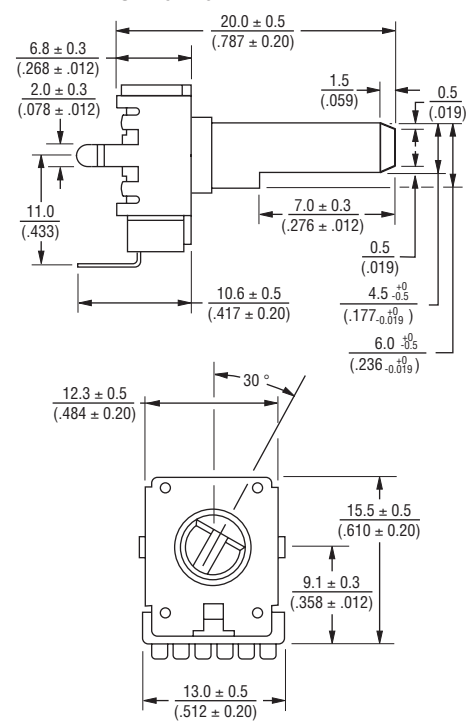
TERMINAL DETAIL

RECOMMENDED PCB LAYOUT



SHAFT SHOWN IN CCW POSITION

PTV112-4 DUAL GANG



SHAFT SHOWN IN CCW POSITION

Dimensions Without Bushing

L	12.5 (.492)	15 (.591)	17.5 (.689)	20 (.787)
F	7 (.276)	7 (.276)	12 (.472)	12 (.472)

DIMENSIONS: $\frac{\text{MM}}{(\text{INCHES})}$

Specifications are subject to change without notice. Customers should verify actual device performance in their specific applications.

PTV/PTT Series - 12 mm Potentiometer

BOURNS®

How To Order

PTV111 - 2 4 20 A - A1 104

- Model _____
 (See Diagrams)
 • PTV111 Standard
 • PTT111 With Tap
 • PTV112 Dual Gang
- Pin Style _____
 PC Pins vertical/
 Down Facing:
 • 1 = With Bushing
 • 2 = No Bushing
 PC Pins horizontal/
 Rear Facing:
 • 3 = With Bushing
 • 4 = No Bushing
- Center Detent Option _____
 • 4 = No Detent
 • 2 = Center Detent
- Standard Shaft Length _____
 • 12 = 12.5 mm*
 • 15 = 15 mm
 • 17 = 17.5 mm*
 • 20 = 20 mm
 • 22 = 22.5 mm**
 • 25 = 25 mm**
 • 27 = 27.5 mm**
- Shaft Styles _____
 • A = Flat Type Insulated Shaft
- Resistance Taper (See Taper Chart) _____
 Taper Series followed by Curve Number
- Resistance Code (See Table) _____

Other styles available.
 * Available with Pin Styles 1 & 3 only.
 ** Available with Pin Styles 2 & 4 only.

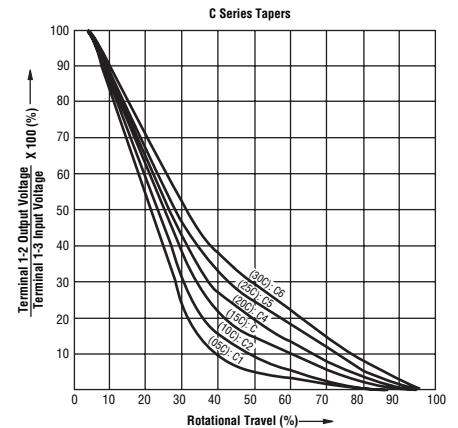
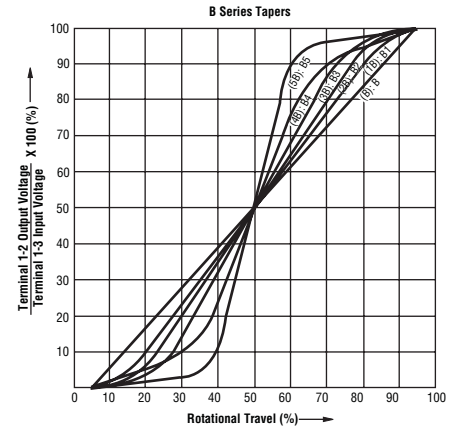
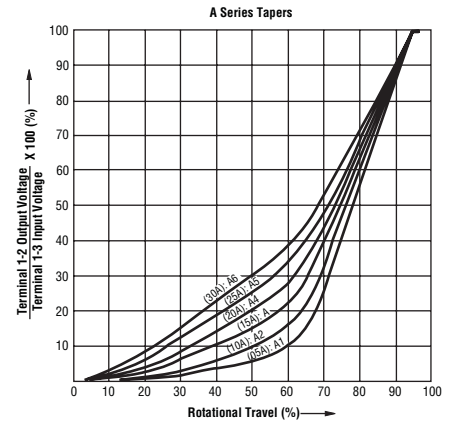
Standard Resistance Table

Resistance (Ohms)	Resistance Code
1,000	102
2,000	202
5,000	502
10,000	103
20,000	203
50,000	503
100,000	104
200,000	204
500,000	504
1,000,000	105

Derating Curve



Tapers



REV. 07/10

Specifications are subject to change without notice.
 Customers should verify actual device performance in their specific applications.