

Features

- 6 mm Round / Single-Turn / Cermet Industrial / Open Frame
- Cross slot adjustment options
- Horizontal and vertical mounting styles
- Dust resistant/splash resistant covers
- Front and top adjust styles

■ RoHS compliant*

TC86 - 6 mm Round Trimpot® Trimming Potentiometer

Electrical Characteristics

Standard Resistance Range 100 ohms to 1 megohm
 (see standard resistance table)
 Resistance Tolerance $\pm 20\%$ std.
 (tighter tolerance available)
 Absolute Minimum Resistance
 ≤ 500 Ohms 10 ohms max.
 > 500 Ohms 2 % max. of TR
 Contact Resistance Variation .. 5 % max.
 Resolution Infinite
 Adjustment Angle $240^\circ \pm 20^\circ$

Environmental Characteristics

Power Rating (100 VDC max.)
 70 °C 0.3 watt
 Temperature Range -30 °C to +85 °C
 Temperature Coefficient ... ± 250 ppm/°C
 Humidity 95 % RH
 Load Life 500 hours @ 70 °C
 Rotational Cycling 50 cycles

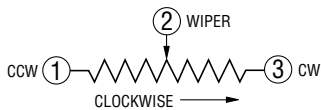
Physical Characteristics

Torque 30-300 gf-cm
 Mechanical Angle $240^\circ \pm 20^\circ$
 Marking Part marking code
 Standard Packaging 500 pcs./bag
 Adjustment Tool H-90
 Aqueous cleaning not recommended

How To Order

TC86 W - 1 - 103

Model _____
 Style _____
 Standard Product Indicator _____
 Resistance Code _____

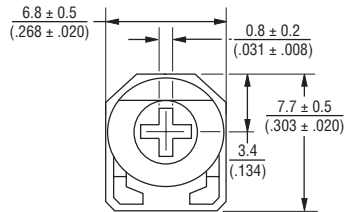


DIMENSIONS: $\frac{\text{MM}}{\text{(INCHES)}}$

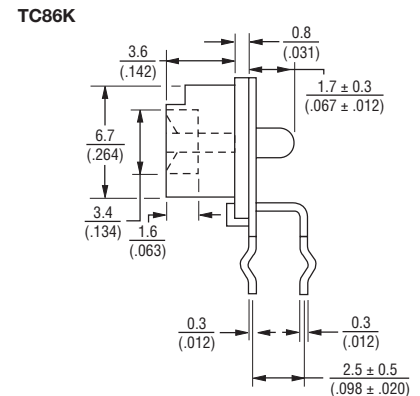
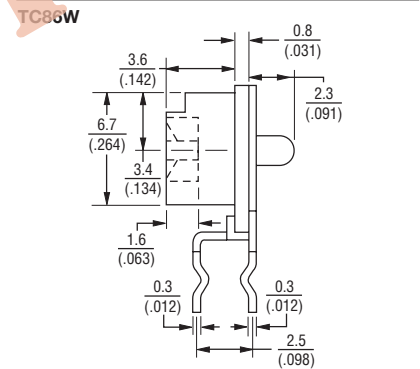
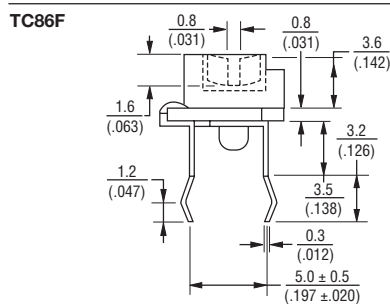
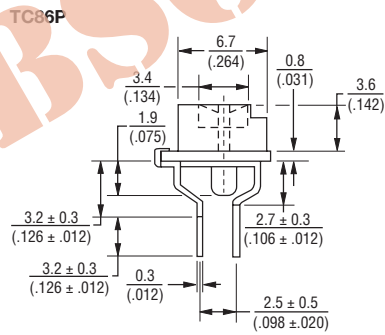
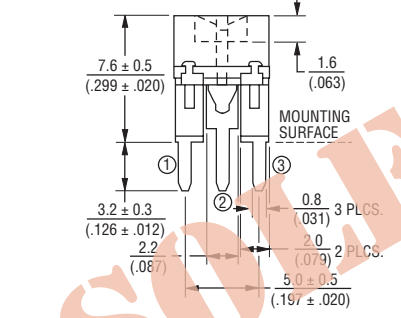
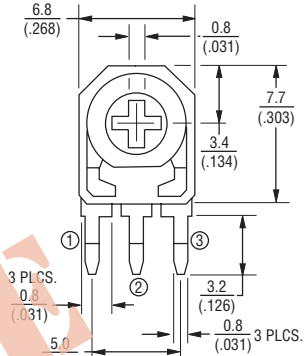
TOLERANCES: $\pm \frac{0.25}{(.010)}$ EXCEPT WHERE NOTED

Product Dimensions

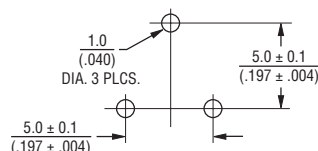
Top Adjust Common Dimensions



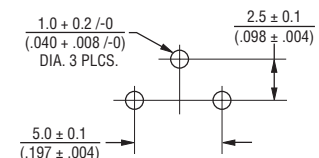
Side Adjust Common Dimensions



Suggested PCB Layout - Style F



Suggested PCB Layout - Styles K,P,W



*RoHS Directive 2002/95/EC Jan 27 2003 including Annex. Specifications are subject to change without notice. Customers should verify actual device performance in their specific applications.

Standard Resistance Table

Resistance (Ohms)	Resistance Code
100	101
200	201
500	501
1,000	102
2,000	202
5,000	502
10,000	103
20,000	203
50,000	503
100,000	104
200,000	204
500,000	504
1,000,000	105

Popular values listed in boldface.

OBSOLETE