



## Features

- 9 mm Round / Single Turn / Carbon Commercial / Open Frame
- Both sides adjust
- Cross slot and hexagon adjustment designs
- Horizontal and vertical mounting styles
- Dust resistant/splash resistant covers
- PC board stand-offs and retention feature



Models 3319-2 & 3319-3 are currently available, although not recommended for new designs. Model 3319-1 is preferred.

- RoHS compliant\*

## 3319 - 9 mm Round Trimming Potentiometer

### Electrical Characteristics

Standard Resistance Range ..... 100 to 1 megohm  
 (see standard resistance table)  
 Resistance Tolerance .....  $\pm 25\%$  std.  
 End Resistance ..... 2 % max. ( $\leq 2K = 30$  ohms)  
 Contact Resistance Variation ..... 3 % max.  
 Resolution ..... Infinite  
 Adjustment Angle .....  $235^\circ$  nom.

### Environmental Characteristics

Power Rating (200 volts max.)  
 70 °C ..... 0.2 watt  
 Temperature Range .....  $-25^\circ\text{C}$  to  $+100^\circ\text{C}$   
 Temperature Coefficient .....  $\pm 1000$  ppm/°C  
 Load Life ..... 1,000 hours 0.2 watt @ 70 °C  
 ( $< 100K = +3/-7\%$  DTR)  
 ( $\geq 100K = +3/-10\%$  DTR)

### Physical Characteristics

Torque (Operating) ..... 5 oz-in. max.  
 Stop Strength ..... 11.0 oz-in. min.  
 Terminals ..... Solderable pins  
 Marking ..... Manufacturer's trademark, resistance code  
 Standard Packaging ..... 200 pcs. per bag  
 Adjustment Tool ..... H-90

Aqueous cleaning not recommended

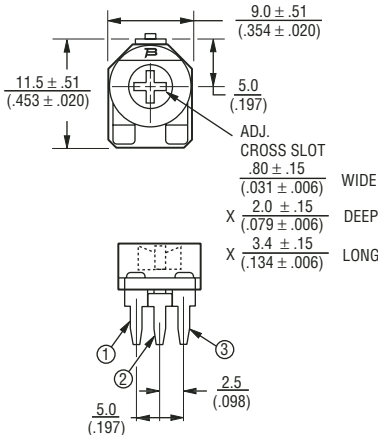
### How To Order

**3319 W - 2 - 103**

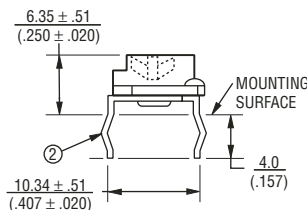
Model \_\_\_\_\_  
 Pin Style \_\_\_\_\_  
 Rotor Style \_\_\_\_\_  
 -1 = Standard  
 -2 = Cross Slot/Single Slot Rear Adjust  
 -3 = 2mm Hex Thru Hole  
 Resistance Code \_\_\_\_\_

### Product Dimensions

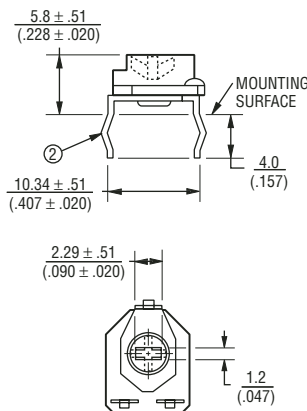
#### 3319P Common Dimensions



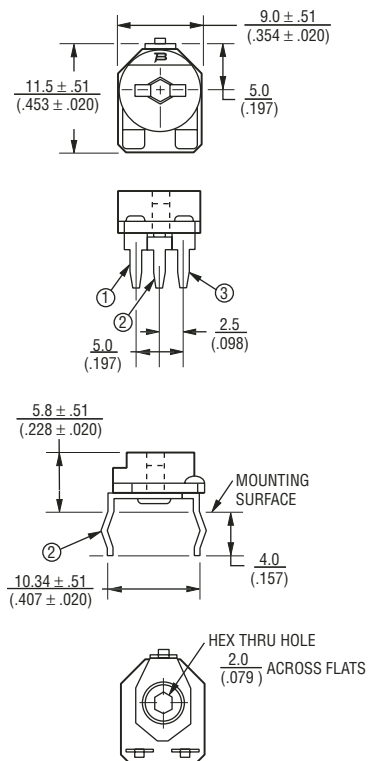
#### 3319P-1 Top Adjust



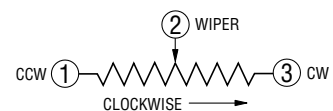
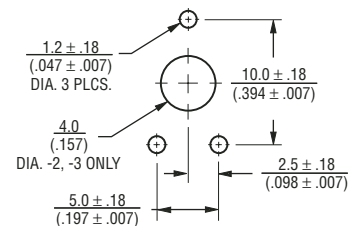
#### 3319P-2 Both Sides Adjust/Cross Slot



#### 3319P-3 Both Sides Adjust/Hex



#### SUGGESTED PWB LAYOUT - 3319P



DIMENSIONS:  $\frac{\text{MM}}{\text{(INCHES)}}$   
 TOLERANCES:  $\pm \frac{0.25}{(.010)}$  EXCEPT WHERE NOTED

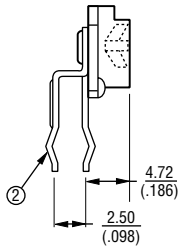
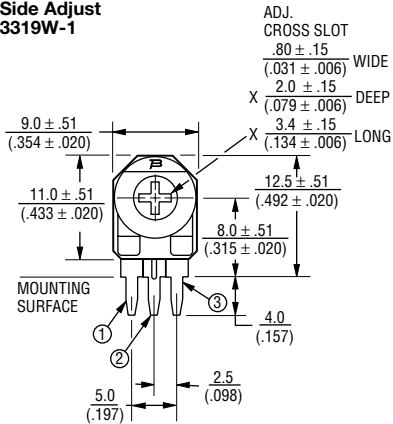
\*RoHS Directive 2002/95/EC Jan 27 2003 including Annex.  
 Specifications are subject to change without notice.  
 Customers should verify actual device performance in their specific applications

# 3319 - 9 mm Round Trimming Potentiometer

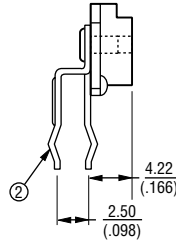
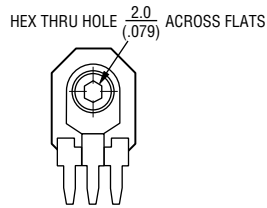
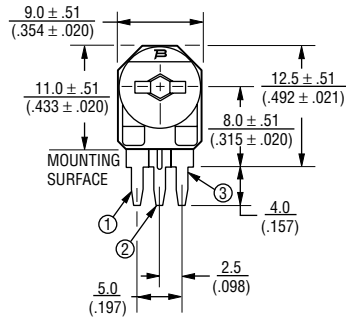
**BOURNS®**

## Packaging Specifications

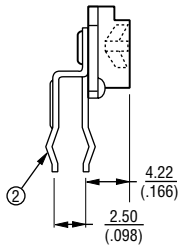
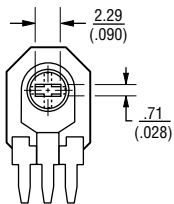
### Side Adjust 3319W-1



### 3319W-3 Both Sides Adjust/Hex



### 3319W-2 Both Sides Adjust /Cross Slot

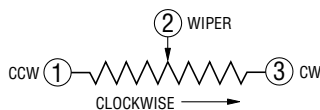
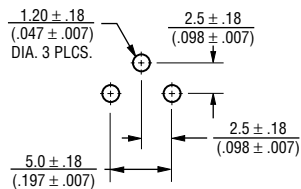


## Standard Resistance Table

Resistance (Ohms)	Resistance Code
<b>100</b>	<b>101</b>
<b>200</b>	<b>201</b>
<b>500</b>	<b>501</b>
<b>1,000</b>	<b>102</b>
<b>2,000</b>	<b>202</b>
<b>5,000</b>	<b>502</b>
<b>10,000</b>	<b>103</b>
<b>20,000</b>	<b>203</b>
<b>50,000</b>	<b>503</b>
<b>100,000</b>	<b>104</b>
200,000	204
500,000	504
1,000,000	105

Popular distribution resistance values listed in boldface.

## SUGGESTED PWB LAYOUT - 3319W



DIMENSIONS:  $\frac{\text{MM}}{\text{(INCHES)}}$

TOLERANCES:  $\pm \frac{0.25}{(.010)}$  EXCEPT WHERE NOTED

REV. 10/08

Specifications are subject to change without notice.  
Customers should verify actual device performance in their specific applications