

- Features:
- Aluminum housing for maximum heat dissipation
 - Complete welded construction
 - 5 - 50W tinned copper terminals
 - Centerless ground steatite or alumina cores
 - Molded epoxy body for heat transfer
 - Non-inductive winding available
 - 100 – 250W threaded terminals
 - RoHS compliant / lead-free

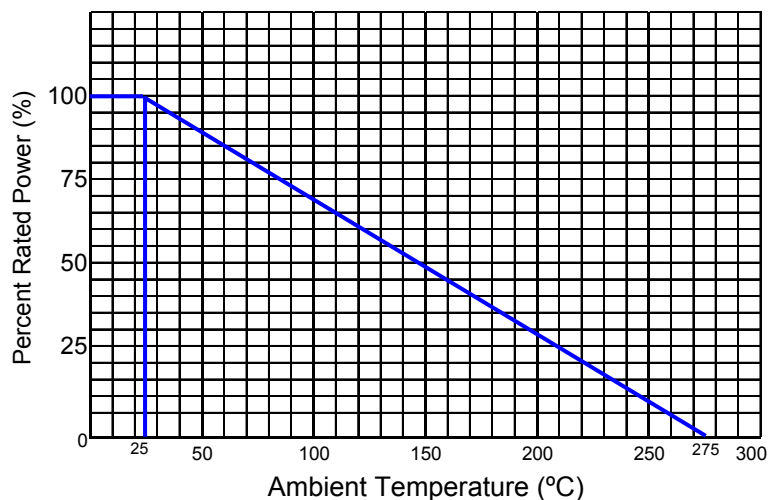


| Electrical Specifications | | | | | | | | | |
|---------------------------|---------------|-----------------------------|------|---------------------------------|-------------------------------|-----------|-----------|------------|---------|
| Type / Code | MIL-R-26 Ref. | Power Rating (Watts @ 70°C) | | Dielectric Withstanding Voltage | Ohmic Range (Ω) and Tolerance | | | | |
| | | Commercial | MIL | | 0.1% | 0.5% | 1% | 3% | 5% |
| KAL 5 | RE-60 | 7.5W | 5W | 1,000 VAC | - | - | - | - | 1 - 50K |
| KAL 10 | RE-65 | 12.5W | 10W | | 3,000 VAC | 1 - 1K | 1 - 1K | 0.05 - 30K | |
| KAL 25 | RE-70 | 25W | 20W | 0.05 - 51.1K | | | | | |
| KAL 50 | RE-75 | 50W | 30W | 0.05 - 150K | | | | | |
| KAL 100 | RE-77 | 100W | 75W | 2,500 VAC | - | 0.4 - 50K | 0.4 - 50K | | |
| KAL 250 | RE-80 | 250W | 120W | | - | - | 0.6 - 80K | | |

Temperature Coefficient Standard: ±100ppm below 0.1Ω, ±50ppm from 0.1Ω - 9.9Ω, ±30ppm from 10Ω - 49Ω, & ±20ppm above 50Ω

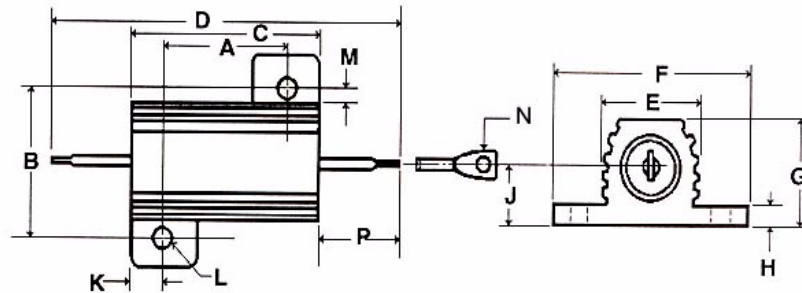
| Performance Characteristics | | |
|-----------------------------|--|---|
| Test | Test Conditions | Results |
| Short time Overload | 5x wattage rating - 5 seconds | $\Delta R \pm (0.5\% + 0.05\Omega)$ MAX |
| Moisture resistance | Temp 40°C moisture 95% CDC 100V for 500 hours | $\Delta R \pm (0.5\% + 0.05\Omega)$ MAX |
| Load life | Load rating (chassis is mounted) 1.5 hours ON, 0.5 hours OFF. Repeated for 1000 hours | $\Delta R \pm (1.5\% + 0.05\Omega)$ MAX |

Power Derating Curve:

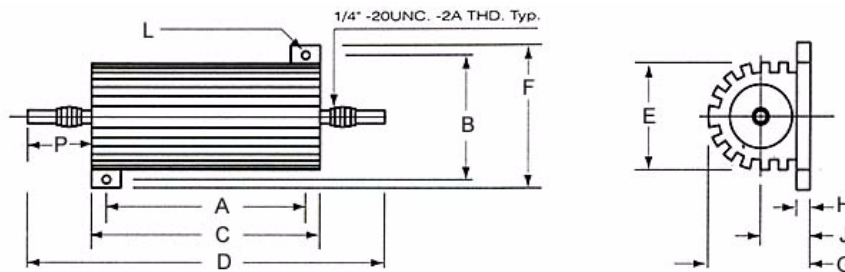


| Mechanical Specifications | | | | | | | | | | | | | | | | | |
|---------------------------|----------------|----------------|----------------|----------------|----------------|----------------|----------------|---------------|----------------|---------------|----------------|----------------|----------------|----------------|----------------|----------------|--------------|
| Type | A | B | C | D | E | F | G | H | J | K | L | M | N | P | R | S | Units |
| Tolerance | ±0.005 ±0.1 | ±0.005 ±0.1 | ±0.031 ±0.8 | ±0.062 ±1.6 | ±0.015 ±0.4 | ±0.015 ±0.4 | ±0.031 ±0.8 | ±0.01 ±0.3 | ±0.015 ±0.4 | ±0.01 ±0.3 | ±0.005 ±0.1 | ±0.015 ±0.4 | ±0.005 ±0.1 | ±0.062 ±1.6 | ±0.01 ±0.25 | ±0.01 ±0.25 | inches mm |
| KAL 5 | 0.394 10 | 0.492 12.5 | 0.591 15 | 0.984 25 | 0.335 8.5 | 0.65 16.5 | 0.315 8 | 0.063 1.6 | 0.157 4 | 0.099 2.5 | 0.079 2 | 0.079 2 | 0.051 1.3 | 0.197 5 | - | - | inches mm |
| KAL 10 | 0.562 14.3 | 0.625 15.9 | 0.75 19 | 1.375 34.9 | 0.42 10.7 | 0.8 20.3 | 0.39 9.9 | 0.075 1.9 | 0.19 4.8 | 0.093 2.4 | 0.093 2.4 | 0.102 2.6 | 0.086 2.2 | 0.312 7.9 | - | - | inches mm |
| KAL 25 | 0.719 18.3 | 0.781 19.8 | 1.062 27 | 1.938 49.2 | 0.55 14 | 1.08 27.4 | 0.546 13.9 | 0.088 2.2 | 0.26 6.6 | 0.172 4.4 | 0.125 3.2 | 0.115 2.9 | 0.086 2.2 | 0.438 11.1 | - | - | inches mm |
| KAL 50 | 1.563 39.7 | 0.844 21.4 | 1.968 50 | 2.781 70.6 | 0.63 16 | 1.14 29 | 0.61 15.5 | 0.088 2.2 | 0.3 7.6 | 0.196 5 | 0.125 3.2 | 0.107 2.7 | 0.086 2.2 | 0.41 10.4 | - | - | inches mm |
| KAL 100 | 2.75 69.9 | 2.25 57.2 | 3.5 88.9 | 5.48 139.2 | 1.89 48 | 2.81 71.4 | 2.18 55.6 | 0.19 4.8 | 0.96 24.3 | 0.37 9.5 | 0.19 4.8 | 0.29 7.1 | - | 0.99 25.12 | - | - | inches mm |
| KAL 250 | 3.87 98.4 | 2.5 63.5 | 4.5 114.3 | 7 177.8 | 2.13 54 | 3 76.2 | 2.19 55.6 | 0.25 6.4 | 0.96 24.3 | 0.31 7.9 | 0.19 4.8 | 0.25 6.4 | - | 1.25 31.8 | 0.87 22.2 | 3 76.2 | inches mm |

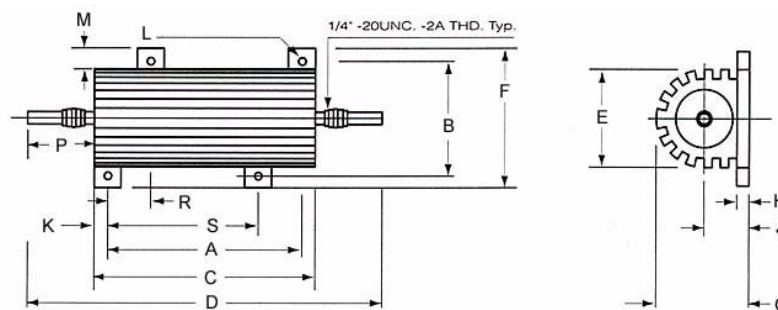
KAL 5 - 50



KAL 100



KAL 250



How to Order

| SEI Type | | Code | | Nominal Resistance | Tolerance | Packaging | | | | |
|----------|---------------|------|---------|--------------------|-----------|-----------|---------|-----|-------------|------|
| KAL | | 10 | | 10K | 1% | B | | | | |
| Type | Description | Code | Wattage | | | Tolerance | Types | Qty | Description | Code |
| KAL | Standard | 5 | 5W | | | 0.1% | KAL 5 | 50 | Bulk | B |
| NKAL | Non-Inductive | 10 | 10W | | | 0.5% | KAL 10 | 20 | | |
| | | 25 | 25W | | | 1% | KAL 25 | 10 | | |
| | | 50 | 50W | | | 3% | KAL 50 | 5 | | |
| | | 100 | 100W | | | 5% | KAL 100 | 10 | | |
| | | 250 | 250W | | | | KAL 250 | 5 | | |

New part number format starting January 3rd, 2011:

How to Order

