

HOMELAN MAGNETICS

1/10Mbps Filter Modules



LM00102

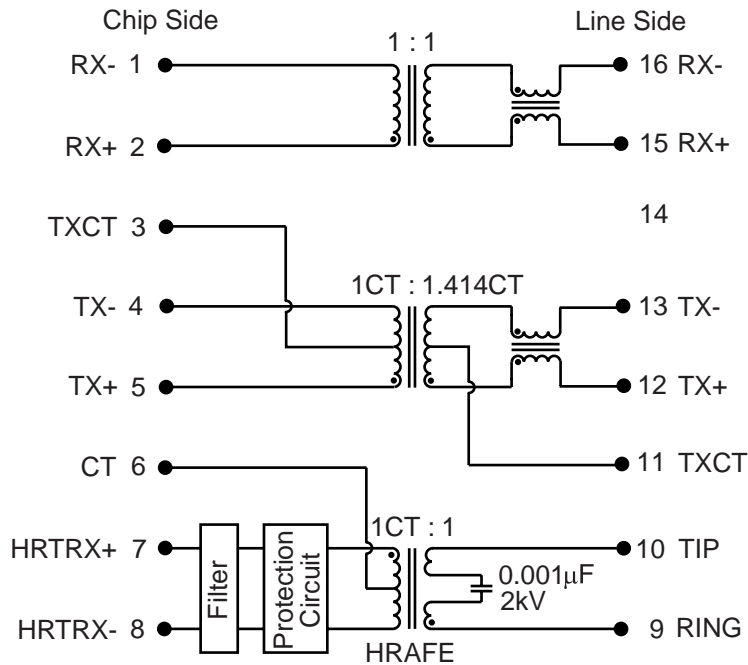
- For use with AMD's 79C978 and 79C901 phoneline / Ethernet LAN ICs
- Supports TUT Systems® Home Run™ technology
- UL/IEC950 approved, file number E150991
- Designed to withstand 225° C peak IR reflow temperature
- Operating temperature 0° to 70° C
- Minimum interwinding breakdown voltage of 1500 Vrms

ELECTRICAL SPECIFICATIONS AT 25° C

Part Number	Turns Ratio		Insertion Loss dB max	Cut-off Frequency MHz typ		Return Loss dB min		Attenuation dB min		Common to Differential Mode Rejection dB min	
	TX 4-5 : 13-12	RX 1-2 : 16-15		5MHz to 8MHz	Lower Band	Upper Band	@5MHz	@8MHz	@1MHz	@27MHz	@5MHz
S556-5000-06	1CT : 1.41CT	1 : 1	0.5	5	10	16	12	70	55	52	48

SCHEMATIC

S556-5000-06

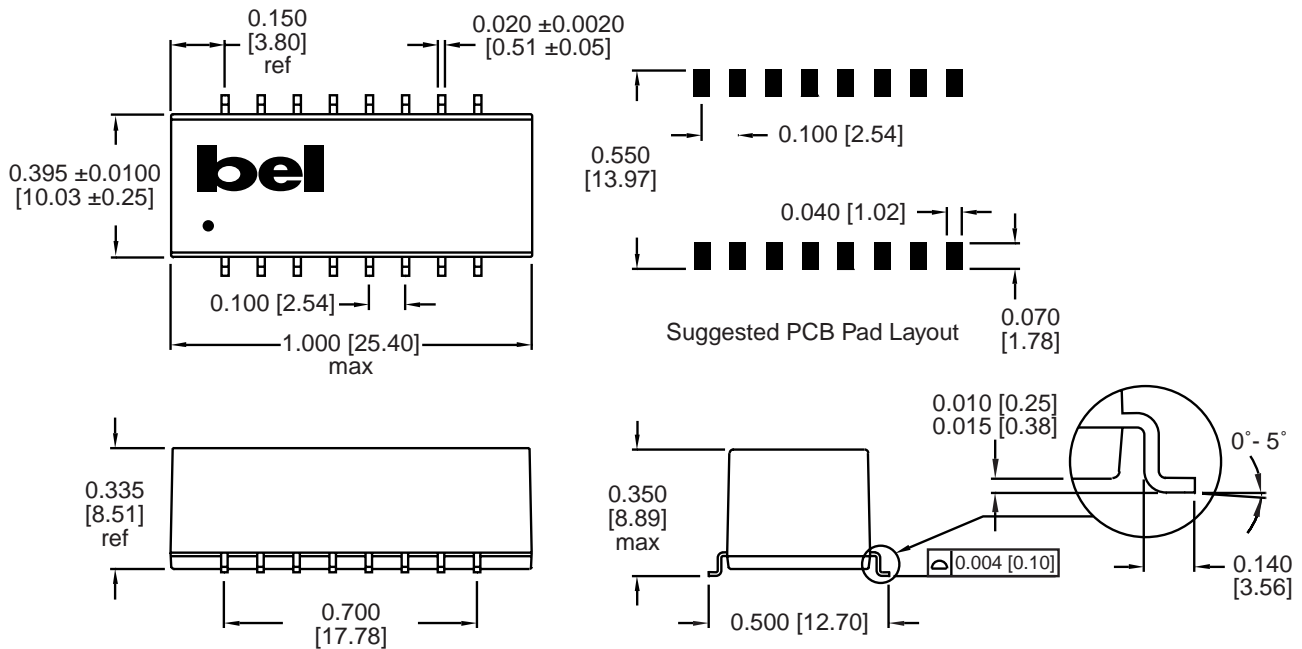


©2000 Bel Fuse Inc. Specifications subject to change without notice. 01.00

Bel Fuse Inc. 198 Van Vorst Street, Jersey City, NJ 07302 • Tel 201-432-0463 • Fax 201-432-9542 • www.belfuse.com

MECHANICAL

S556-5000-06



Dimensions are in inches [millimeters].
Standard dimension tolerance is ± 0.005 [0.13] unless otherwise noted.

CORPORATE

Bel Fuse Inc.
198 Van Vorst Street
Jersey City, NJ 07302
Tel 201-432-0463
Fax 201-432-9542
www.belfuse.com

L1-6

FAR EAST

Bel Fuse Ltd.
8F / 8 Luk Hop Street
San Po Kong
Kowloon, Hong Kong
Tel 852-2328-5515
Fax 852-2352-3706
www.belfuse.com

EUROPE

Bel Fuse Europe Ltd.
Preston Technology Management Centre
Marsh Lane, Suite F23, Preston
Lancashire, PR1 8UD, U.K.
Tel 44-1772-556601
Fax 44-1772-888366
www.belfuse.com