

Evaluation Board for CS43L42

Features

- Demonstrates recommended layout and grounding arrangements
- CS8415A receives AES/EBU, S/PDIF, and EIAJ-340 Compatible Digital Audio
- Requires only a digital signal source and power supplies for a complete Digital-to-Analog-Converter system

Description

The CDB43L42 evaluation board is an excellent means for quickly evaluating the CS43L42 24-bit, stereo D/A converter. Evaluation requires an analog signal analyzer, a digital signal source, a PC for controlling the CS43L42 (for control port mode only) and a power supply. Analog headphone outputs are provided via a 1/8" headphone jack and RCA phono jacks. Line outputs are provided via RCA phono jacks.

The CS8415A digital audio receiver I.C. provides the system timing necessary to operate the Digital-to-Analog converter and will accept AES/EBU, S/PDIF, and EIAJ-340 compatible audio data. The evaluation board may also be configured to accept external timing and data signals for operation in a user application during system development.

ORDERING INFORMATION

CDB43L42

Evaluation Board

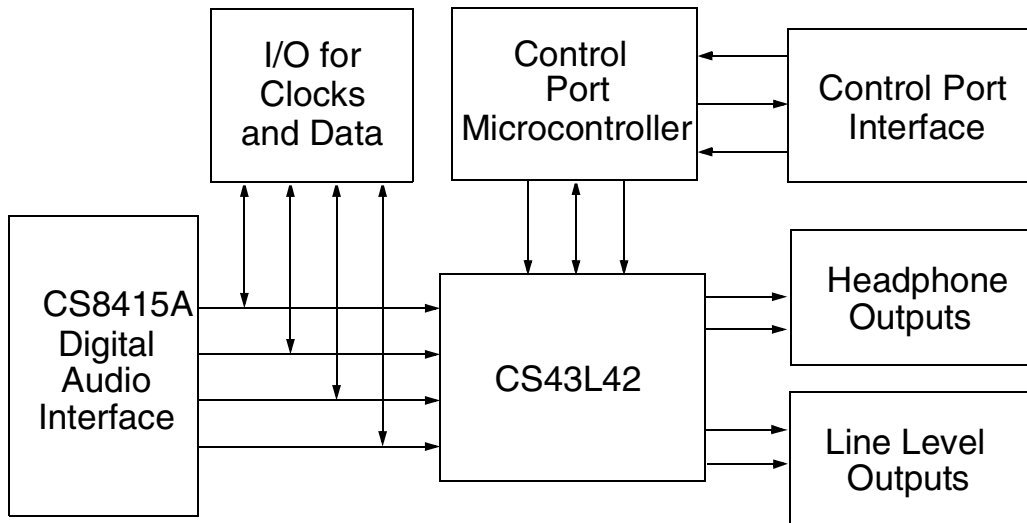


TABLE OF CONTENTS

1. CDB43L42 SYSTEM OVERVIEW	4
2. CS43L42 DIGITAL TO ANALOG CONVERTER	4
3. CS8415A DIGITAL AUDIO RECEIVER	4
4. CS8415A DATA FORMAT	4
5. HEADPHONE OUTPUT	4
6. LINE OUTPUT	4
7. INPUT/OUTPUT FOR CLOCKS AND DATA	4
8. POWER SUPPLY CIRCUITRY	4
9. GROUNDING AND POWER SUPPLY DECOUPLING	5
10. CONTROL PORT SOFTWARE	5
11. POPGUARD® IMPROVEMENT	5
12. CDB43L42 PERFORMANCE PLOTS	5

LIST OF FIGURES

Figure 1. System Block Diagram and Signal Flow	7
Figure 2. CS43L42	8
Figure 3. Headphone Outputs	9
Figure 4. CS8415A Digital Audio Receiver	10
Figure 5. Digital Audio Inputs	11
Figure 6. MCLK Divider and Level Shifter	12
Figure 7. Control Port Interface	13
Figure 8. Control Port Microcontroller	14
Figure 9. Control Port Level Shifter	15
Figure 10. I/O for Clocks and Data	16
Figure 11. Reset Circuit	17
Figure 12. Line Level Outputs	18
Figure 13. Power Supply	19
Figure 14. Headphone Output - Frequency Response at 1.8 V	20
Figure 15. Headphone Output - Frequency Response at 3.0 V	20
Figure 16. Headphone Output - THD+N versus Amplitude at 1.8 V	20
Figure 17. Headphone Output - THD+N versus Amplitude at 3.0 V	20

Contacting Cirrus Logic Support

For a complete listing of Direct Sales, Distributor, and Sales Representative contacts, visit the Cirrus Logic web site at:
<http://www.cirrus.com/corporate/contacts/sales.cfm>

IMPORTANT NOTICE

"Preliminary" product information describes products that are in production, but for which full characterization data is not yet available. "Advance" product information describes products that are in development and subject to development changes. Cirrus Logic, Inc. and its subsidiaries ("Cirrus") believe that the information contained in this document is accurate and reliable. However, the information is subject to change without notice and is provided "AS IS" without warranty of any kind (express or implied). Customers are advised to obtain the latest version of relevant information to verify, before placing orders, that information being relied on is current and complete. All products are sold subject to the terms and conditions of sale supplied at the time of order acknowledgment, including those pertaining to warranty, patent infringement, and limitation of liability. No responsibility is assumed by Cirrus for the use of this information, including use of this information as the basis for manufacture or sale of any items, or for infringement of patents or other rights of third parties. This document is the property of Cirrus and by furnishing this information, Cirrus grants no license, express or implied under any patents, mask work rights, copyrights, trademarks, trade secrets or other intellectual property rights. Cirrus owns the copyrights of the information contained herein and gives consent for copies to be made of the information only for use within your organization with respect to Cirrus integrated circuits or other parts of Cirrus. This consent does not extend to other copying such as copying for general distribution, advertising or promotional purposes, or for creating any work for resale.

An export permit needs to be obtained from the competent authorities of the Japanese Government if any of the products or technologies described in this material and controlled under the "Foreign Exchange and Foreign Trade Law" is to be exported or taken out of Japan. An export license and/or quota needs to be obtained from the competent authorities of the Chinese Government if any of the products or technologies described in this material is subject to the PRC Foreign Trade Law and is to be exported or taken out of the PRC.

CERTAIN APPLICATIONS USING SEMICONDUCTOR PRODUCTS MAY INVOLVE POTENTIAL RISKS OF DEATH, PERSONAL INJURY, OR SEVERE PROPERTY OR ENVIRONMENTAL DAMAGE ("CRITICAL APPLICATIONS"). CIRRUS PRODUCTS ARE NOT DESIGNED, AUTHORIZED, OR WARRANTED TO BE SUITABLE FOR USE IN LIFE-SUPPORT DEVICES OR SYSTEMS OR OTHER CRITICAL APPLICATIONS. INCLUSION OF CIRRUS PRODUCTS IN SUCH APPLICATIONS IS UNDERSTOOD TO BE FULLY AT THE CUSTOMER'S RISK.

Cirrus Logic, Cirrus, and the Cirrus Logic logo designs are trademarks of Cirrus Logic, Inc. All other brand and product names in this document may be trademarks or service marks of their respective owners.

Figure 18.Headphone Output - FFT of 1 kHz Sine Wave at 1.8 V	20
Figure 19.Headphone Output - FFT of 1 kHz Sine Wave at 3.0 V	20
Figure 20.Line Output - Frequency Response at 1.8 V	21
Figure 21.Line Output - Frequency Response at 3.0 V	21
Figure 22.Line Output - THD+N versus Amplitude at 1.8 V	21
Figure 23.Line Output - THD+N versus Amplitude at 3.0 V	21
Figure 24.Line Output - FFT of 1 kHz Sine Wave at 1.8 V	21
Figure 25.Line Output - FFT of 1 kHz Sine Wave at 3.0 V	21
Figure 26.Silkscreen Top	22
Figure 27.Top Side	23
Figure 28.Bottom Side	24

1. CDB43L42 SYSTEM OVERVIEW

The CDB43L42 evaluation board is an excellent means of quickly evaluating the CS43L42. The CS8415A digital audio interface receiver provides an easy interface to digital audio signal sources including the majority of digital audio test equipment. The evaluation board also allows the user to supply clocks and data through a 10-pin header for system development.

The CDB43L42 schematic has been partitioned into 12 schematics shown in Figures 2 through 13. Each partitioned schematic is represented in the system diagram shown in Figure 1. Notice that the system diagram also includes the interconnections between the partitioned schematics.

2. CS43L42 DIGITAL TO ANALOG CONVERTER

A description of the CS43L42 is included in the CS43L42 datasheet.

3. CS8415A DIGITAL AUDIO RECEIVER

The system receives and decodes the standard S/PDIF data format using a CS8415A Digital Audio Receiver, Figure 4. The outputs of the CS8415A include a serial bit clock, serial data, left-right clock (FSYNC), de-emphasis control and a $256 \times F_s$ master clock. The operation of the CS8415A and a discussion of the digital audio interface are included in the CS8415A datasheet.

The evaluation board has been designed such that the input can be either optical or coax, see Figure 5. However, both inputs cannot be driven simultaneously.

4. CS8415A DATA FORMAT

The CS8415A data format is selected via software when in Control Port mode. When in Stand-Alone mode the CS8451A data format is selected via the DIP switch. See Table 2 for details.

5. HEADPHONE OUTPUT

A 1/8 inch, stereo headphone jack is included on the evaluation board for connecting 16 ohm or greater headphones to the CS43L42. If no headphones are connected to the 1/8 inch jack, then a 16 ohm resistor is connected to each of the CS43L42 headphone outputs, HP_A and HP_B. This is useful when evaluating the CS43L42 headphone amplifier with test equipment that has high-impedance inputs. RCA jacks are also provided on the headphone outputs for easy connection to test equipment.

6. LINE OUTPUT

The CS43L42 line level outputs are available via RCA jacks. An external mute circuit is included on the CDB43L42 to ensure an absolute minimum of extraneous clicks and pops during power-up. See Figure 12 for details.

7. INPUT/OUTPUT FOR CLOCKS AND DATA

The evaluation board has been designed to allow interfacing to external systems via the 10-pin header, HDR1. This header allows the evaluation board to accept externally generated clocks and data. The schematic for the clock/data I/O is shown in Figure 10.

8. POWER SUPPLY CIRCUITRY

Power is supplied to the evaluation board by six binding posts (GND, +5 V, VL, VA, VA_HP, and VA_LINE), see Figure 13. The +5 V input supplies power to the +5 Volt digital circuitry (VA_+5, VD_+5), while the VL input supplies power to the Voltage Level Converters and the CS43L42 VL pin. VA, VA_HP, and VA_LINE supply power to the CS43L42. For ease of use, it is possible to connect VA, VA_HP, VL, and VA_LINE to the same supply.

WARNING: VA, VL, and VA_LINE must be between +1.7V and +3.6V. VA_HP must be between

+0.9 V and +3.6 V. Operation outside of this range can cause permanent damage to the device. See the CS43L42 datasheet for more details.

9. GROUNDING AND POWER SUPPLY DECOUPLING

The CS43L42 requires careful attention to power supply and grounding arrangements to optimize performance. Figure 2 details the power distribution used on this board. The decoupling capacitors are located as close to the CS43L42 as possible. Extensive use of ground plane fill on both the analog and digital sections of the evaluation board yields large reductions in radiated noise. See Figures 26-28 for the CDB43L42 PCB layout artwork.

10. CONTROL PORT SOFTWARE

The CDB43L42 is shipped with Windows based software for interfacing with the CS43L42 control port via the serial connector, J1. The software can be used to communicate with the CS43L42 in I²C mode. Note: DIP 2-4 must be set appropriately for control port mode operation.

11. POPGUARD® IMPROVEMENT

The CDB43L42 Rev A includes a hardware improvement for the PopGuard® Transient Control

feature of the CS43L42 Rev G. The additional hardware includes Q1, Q2 and R24. Please refer to Figure 3. To bypass this hardware improvement, stuff R18 and R19 with 0 ohm resistors and change R25 and R26 to 1 k ohm resistors.

12. CDB43L42 PERFORMANCE PLOTS

The CDB43L42 Rev A performance plots shown in Figures 14 through 25 were generated using an Audio Precision System Two Cascade with the S2-AES17LP 20 kHz brickwall filter applied. All tests were performed at a sampling rate of 48 kHz and with VL, VA, VA_HP, and VA_LINE set to the indicated voltage supply. Please note that due to the architecture of the Audio Precision systems, either the S2-AES17LP 20 kHz brickwall filter must be installed or a low pass filter must be used between the CDB43L42 and the Audio Precision for proper measurements. If an external filter is used, it must provide at least 15 dB of attenuation at 120 kHz. This can be achieved with a simple 3-pole filter.

13. CDB43L42, REV A ERRATA

The CDB43L42 was modified to reflect the changes made to the CS43L42 in Revision G. The second circuit in Figure 3, page 9 of this datasheet was removed, and the CS43L42 Revision G is mounted on the CDB43L42 for evaluation.

CONNECTOR	INPUT/OUTPUT	SIGNAL PRESENT
+5 V	Input	+ 5 Volt power
VA, VL, VA_LINE	Input	+ 1.8 Volt to + 3.3 Volt power for the CS43L42 and the Voltage Level Converters
VA_HP	Input	+0.9 Volt to +3.3 Volt power for the CS43L42 headphone amp
GND	Input	Ground connection from power supply
Coax Input	Input	Digital audio interface input via coax
Optical Input	Input	Digital audio interface input via optical
HDR1	Input/Output	I/O for master, serial, left/right clocks and serial data
Serial Port	Input/Output	Serial connection to PC for I ² C mode control port signals
HDR2	Input/Output	I/O for I ² C mode control port signals
HP_A (J3)	Output	Channel A headphone output
HP_B (J2)	Output	Channel B headphone output
HP_A&B (J10)	Output	Channel A and B headphone output
AOUTA ()	Output	Channel A line output
AOUTB ()	Output	Channel B line output

Table 1. System Connections

JUMPER	PURPOSE	POSITION	FUNCTION SELECTED
Program/Run	Programming switch for the control port microcontroller	Program *Run	Configures CDB43L42 to program the μ C Configures CDB43L42 for normal operation
HRM/BRM	Selects High Rate or Base Rate Mode	HRM (/2) *BRM (x1)	Selects High Rate Mode Selects Base Rate Mode
EXT/INT SCLK	Selects SCLK Mode	INT *EXT	Internal SCLK Mode External SCLK Mode
Reset (S1)	Resets the CDB43L42		
DIP 1	Enable/Disable the CS8415A	*0 1	CS8415A is enabled (HDR1 is an output) Disabled (External Clocks and Data are input via HDR1)
DIP 2-4	Configures the interface format and CS43L42 operational mode	*000 001 010 011 100	Control Port mode Stand Alone mode, I2S Stand Alone mode, LJ24 Stand Alone mode, RJ16 (8415A not avail.) Stand Alone mode, RJ24

Notes: *Default factory settings

Table 2. CDB43L42 Jumper and Switch settings

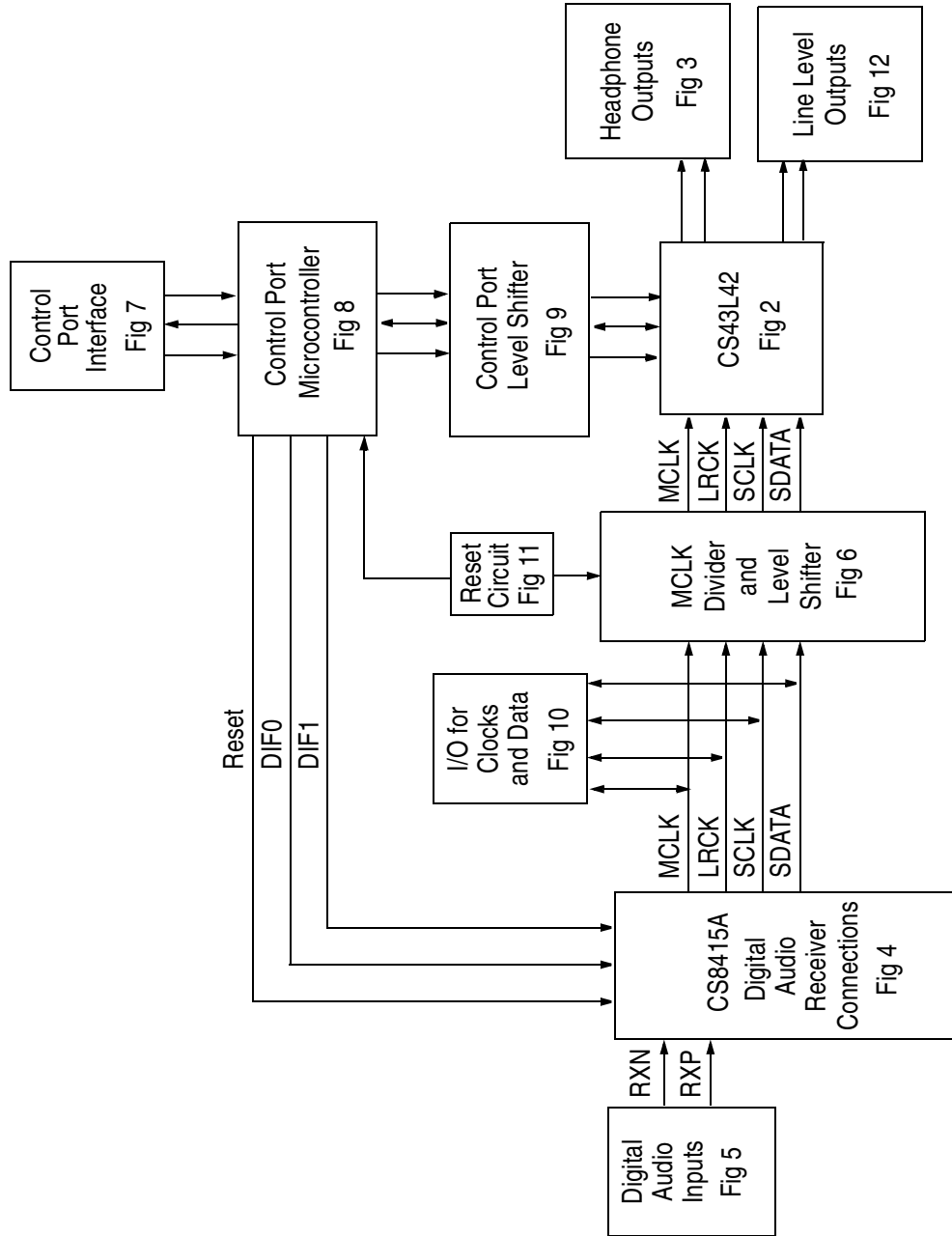
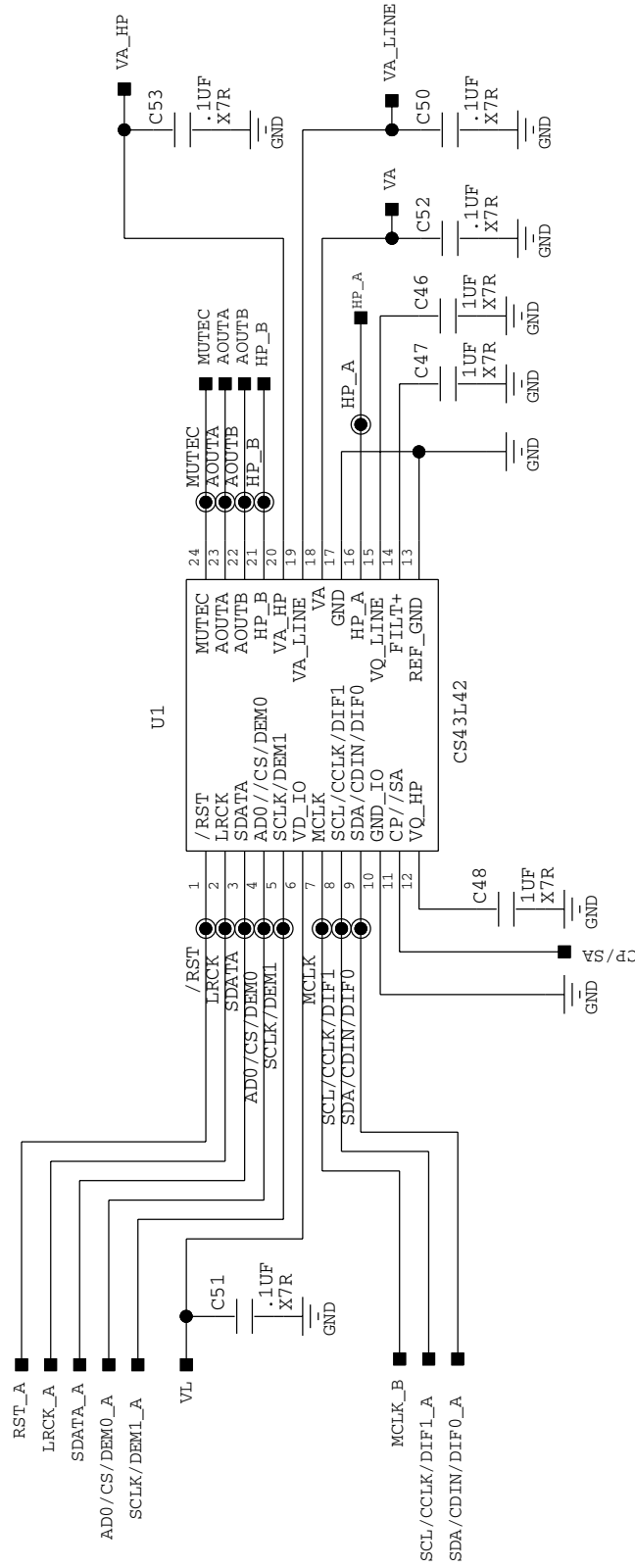


Figure 1. System Block Diagram and Signal Flow


Figure 2. CS43L42

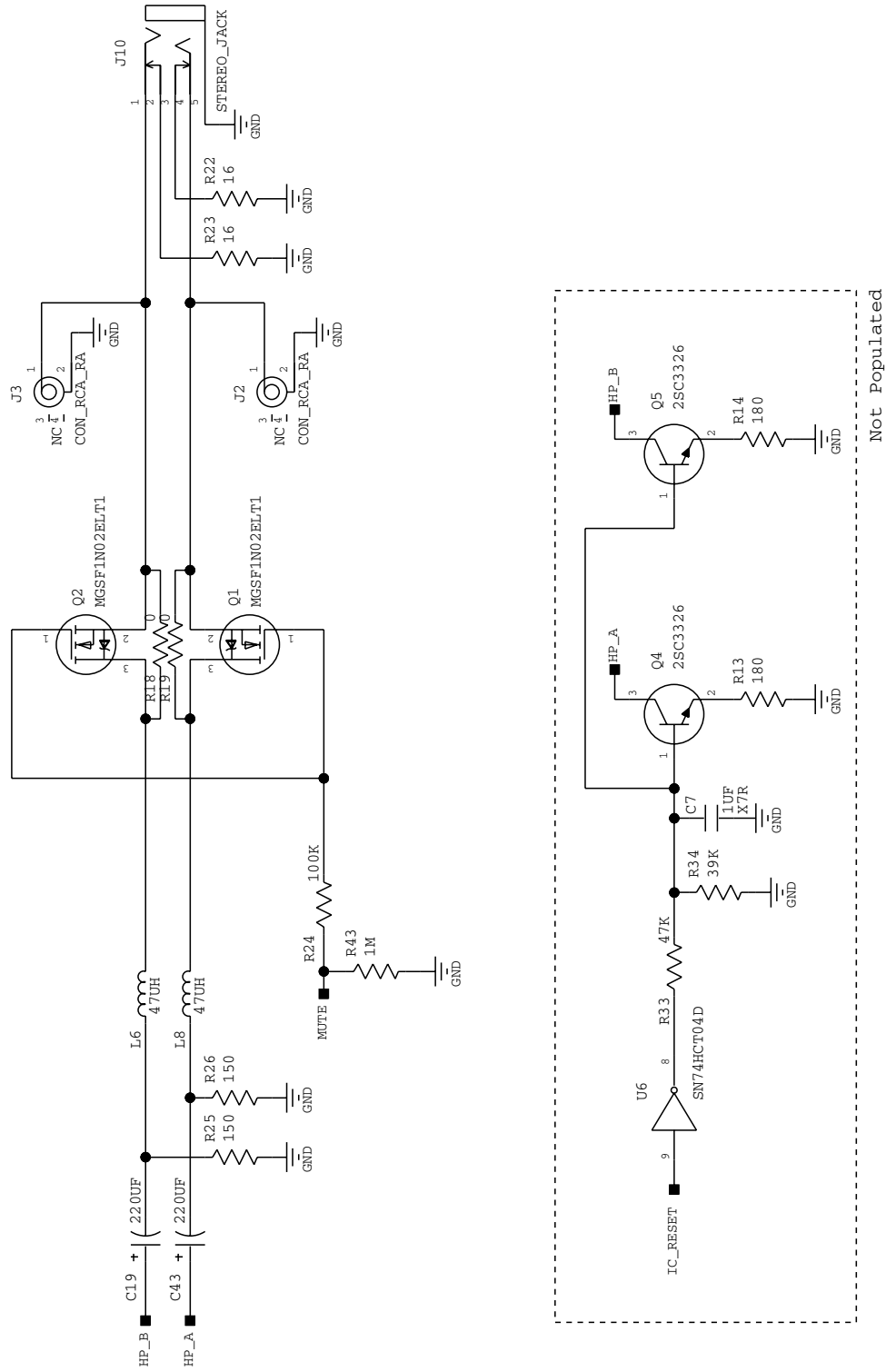


Figure 3. Headphone Outputs

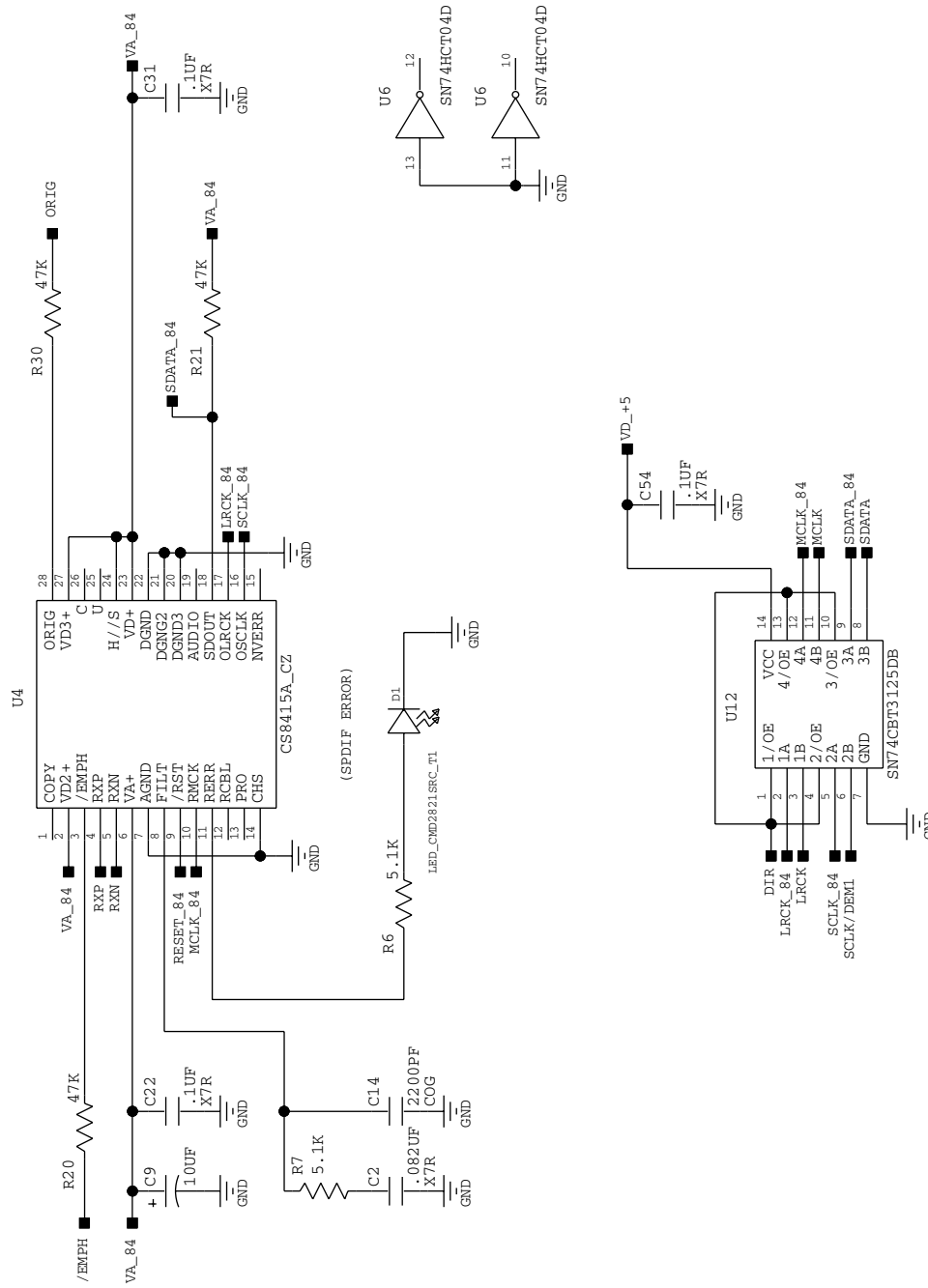
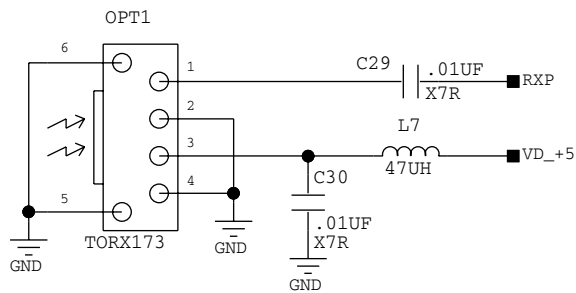


Figure 4. CS8415A Digital Audio Receiver

OPTICAL INPUT



DIGITAL INPUT

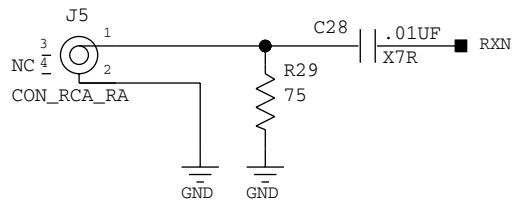


Figure 5. Digital Audio Inputs

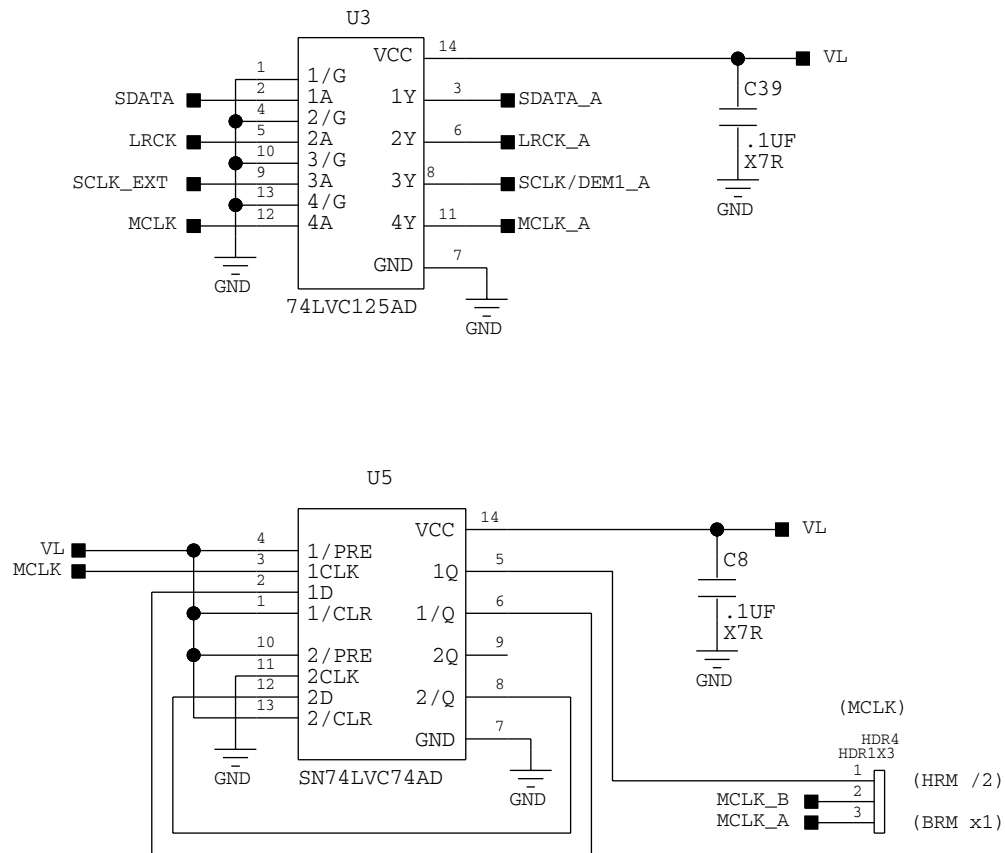
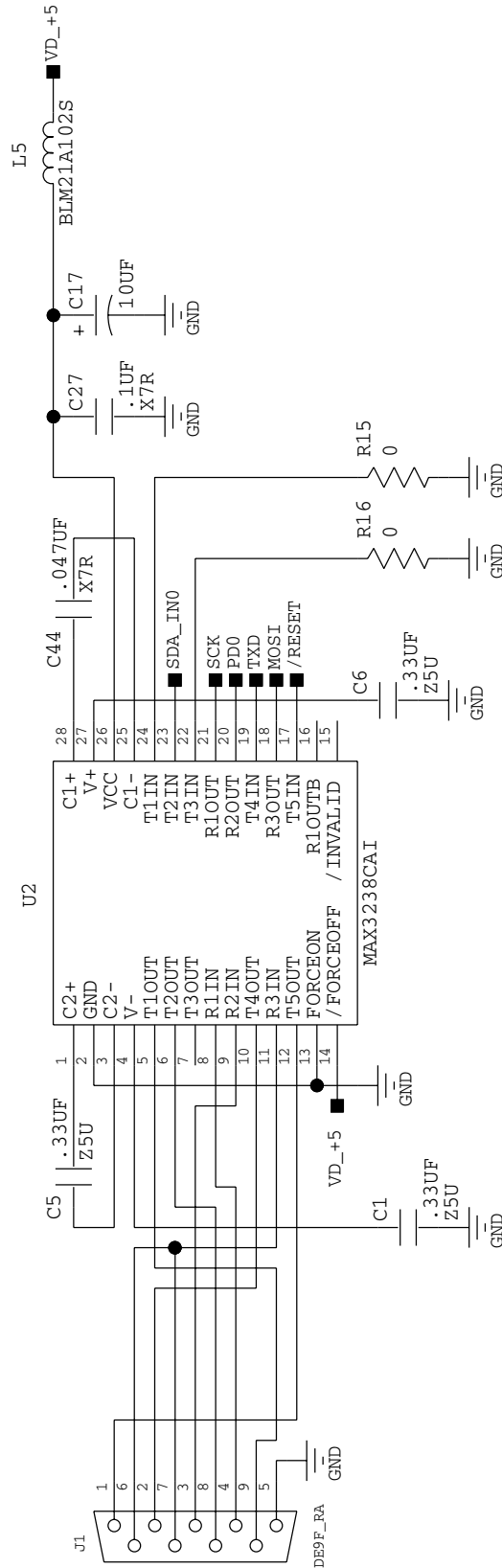


Figure 6. MCLK Divider and Level Shifter


Figure 7. Control Port Interface

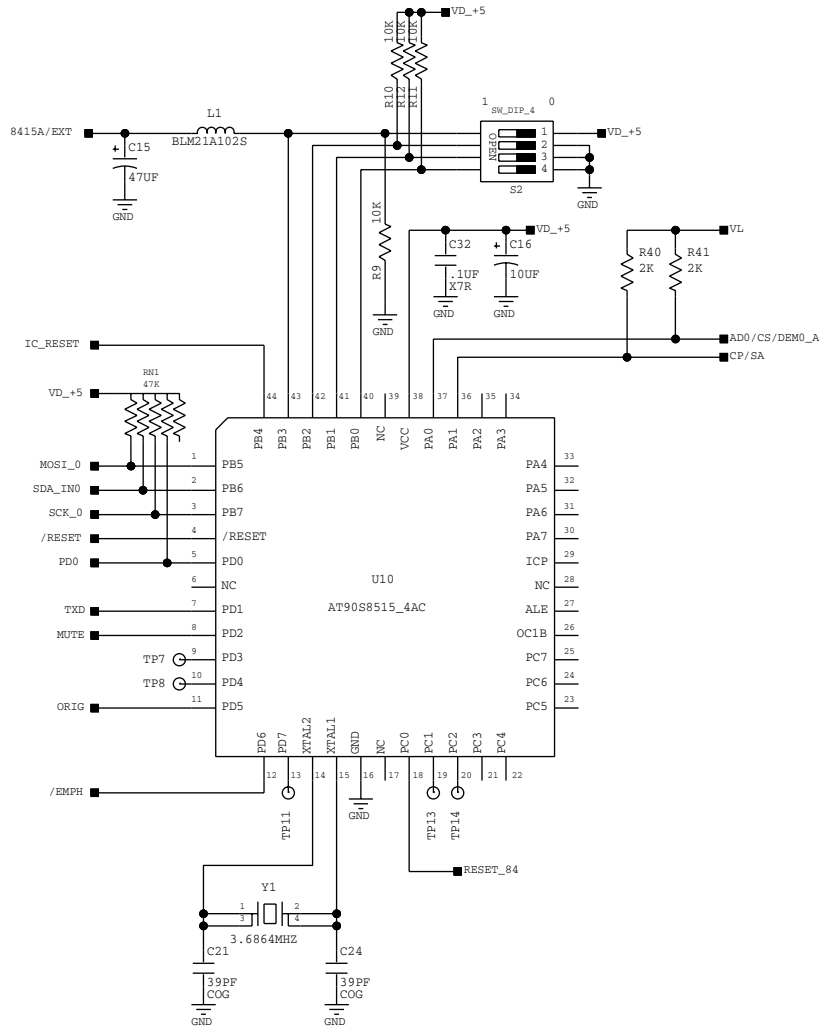
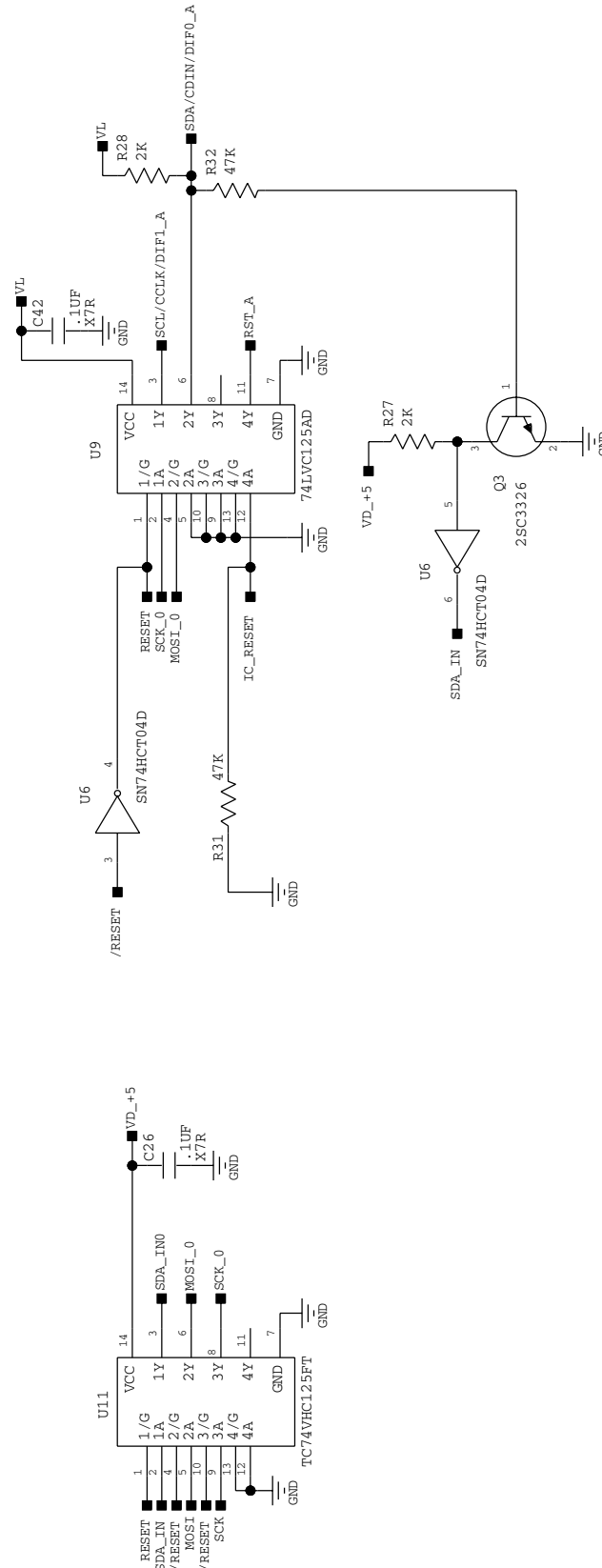


Figure 8. Control Port Microcontroller


Figure 9. Control Port Level Shifter

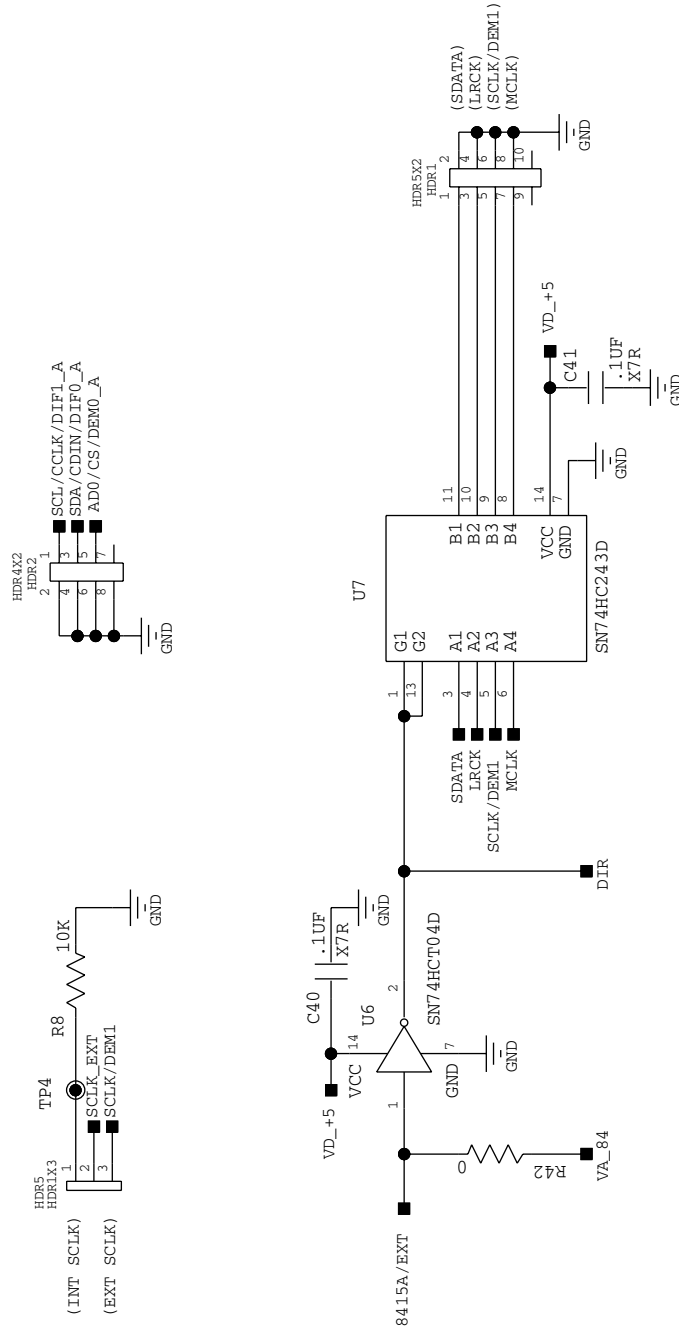


Figure 10. I/O for Clocks and Data

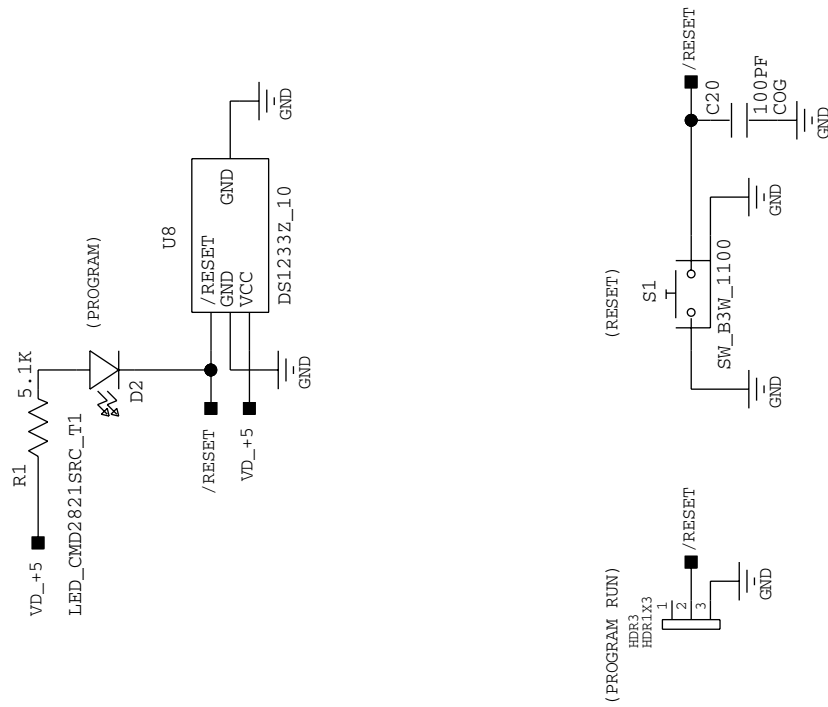


Figure 11. Reset Circuit

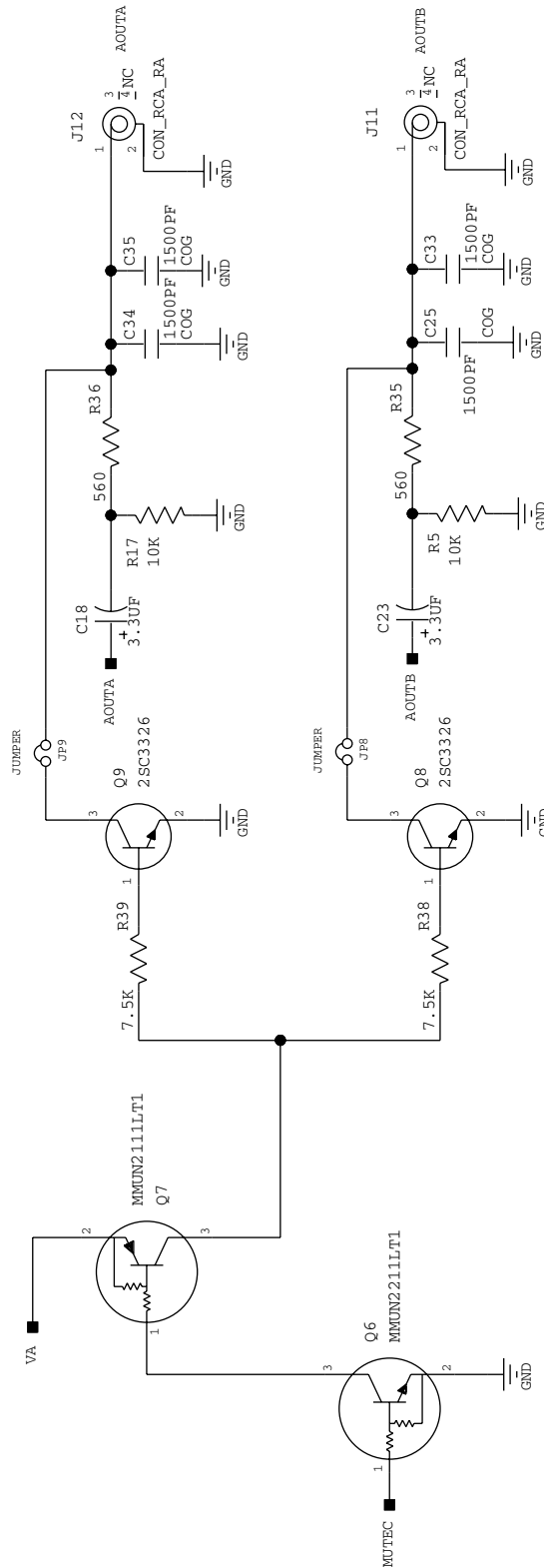
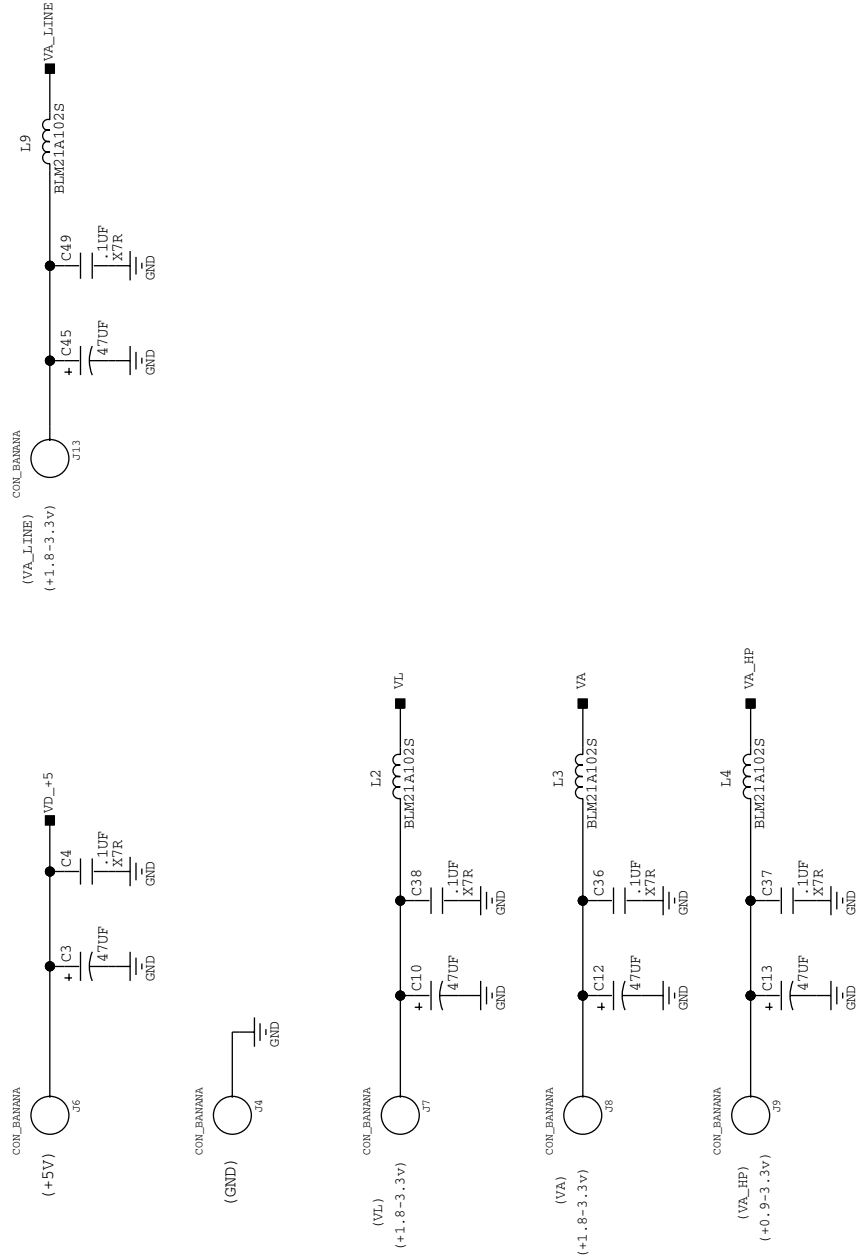


Figure 12. Line Level Outputs


Figure 13. Power Supply

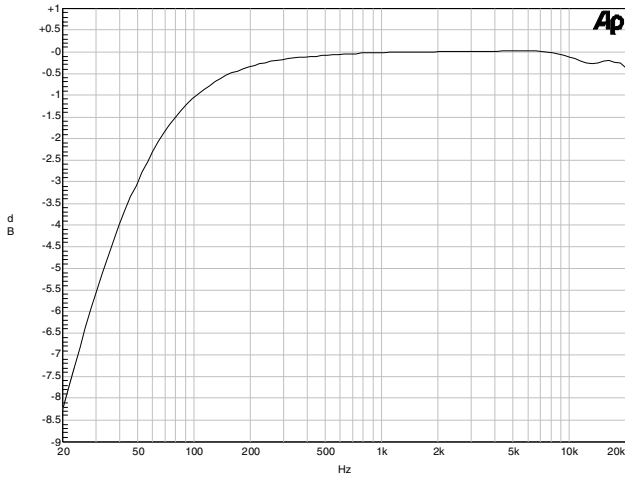


Figure 14. Headphone Output - Frequency Response at 1.8 V

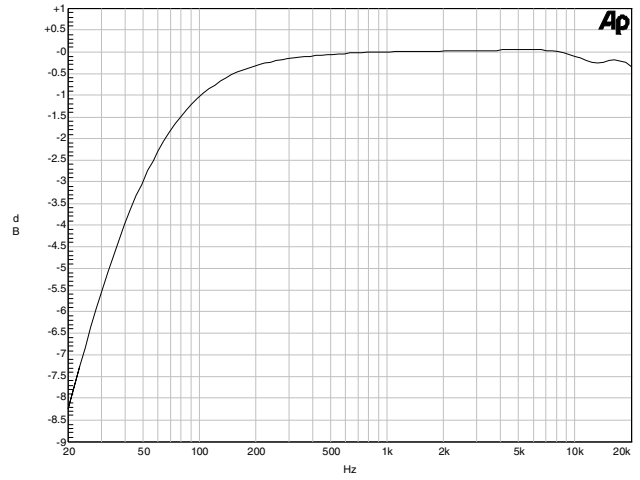


Figure 15. Headphone Output - Frequency Response at 3.0 V

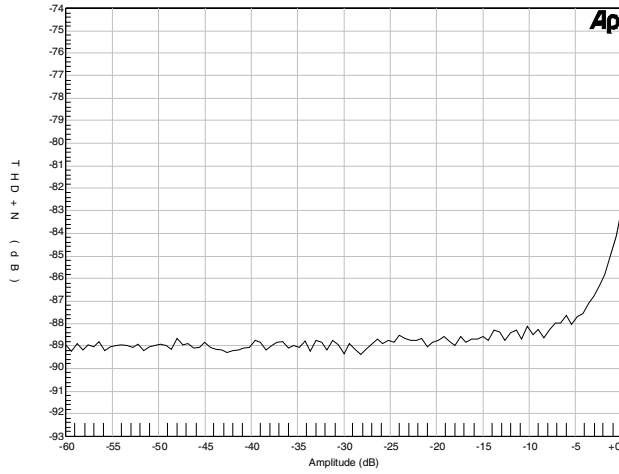


Figure 16. Headphone Output - THD+N versus Amplitude at 1.8 V



Figure 17. Headphone Output - THD+N versus Amplitude at 3.0 V

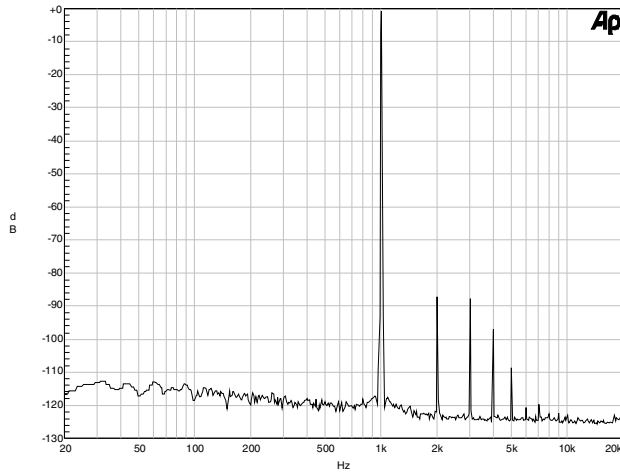


Figure 18. Headphone Output - FFT of 1 kHz Sine Wave at 1.8 V

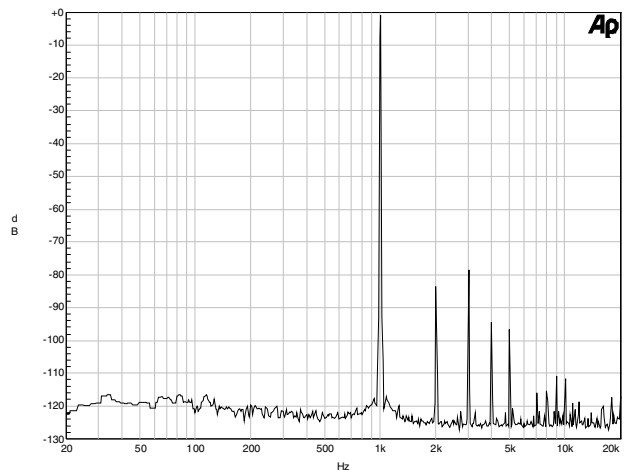
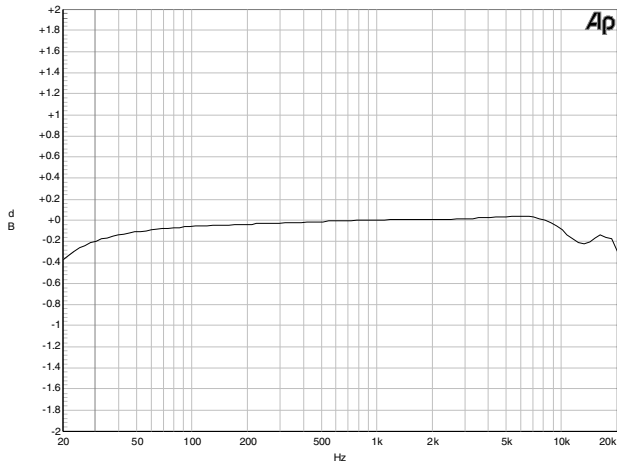
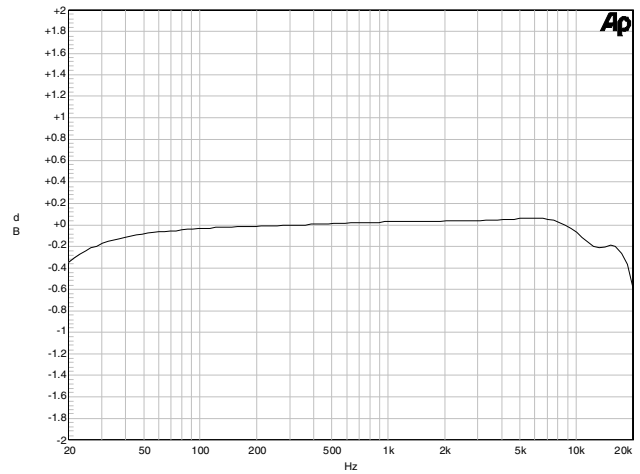
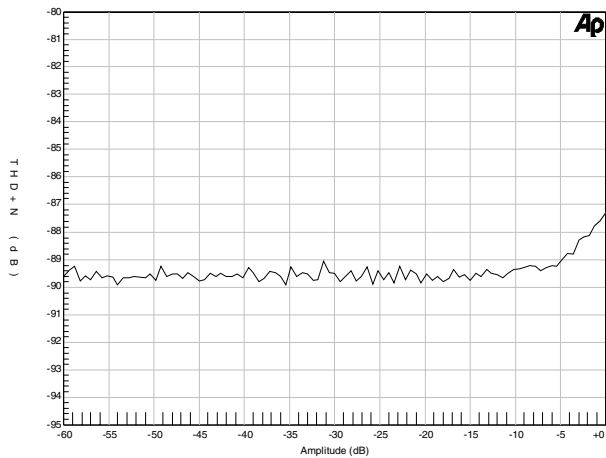
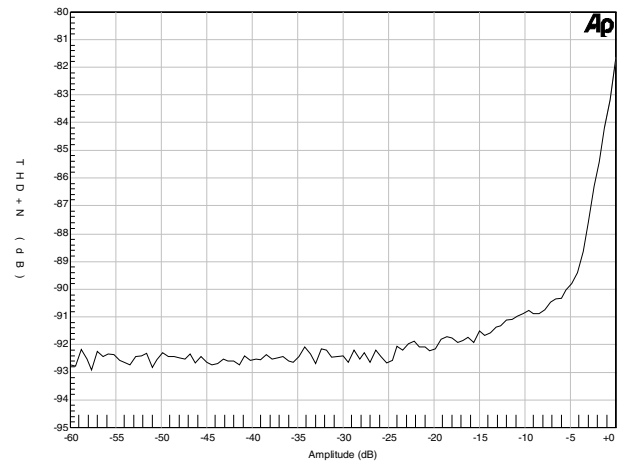
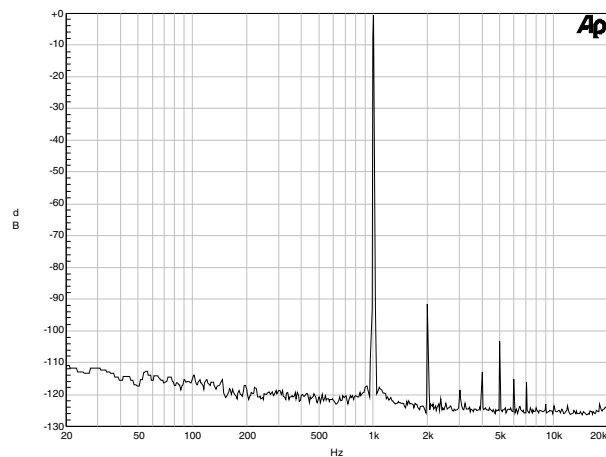
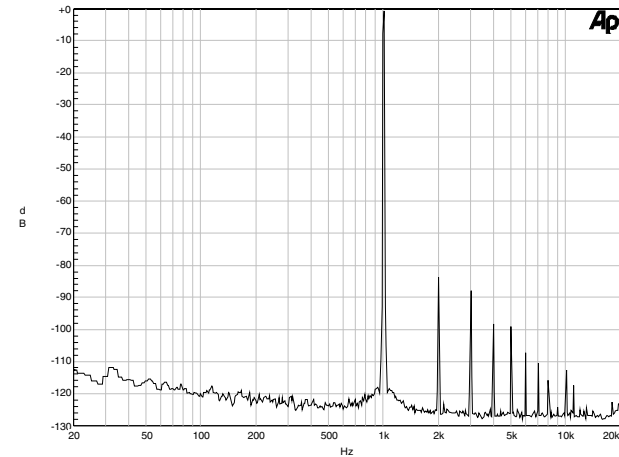
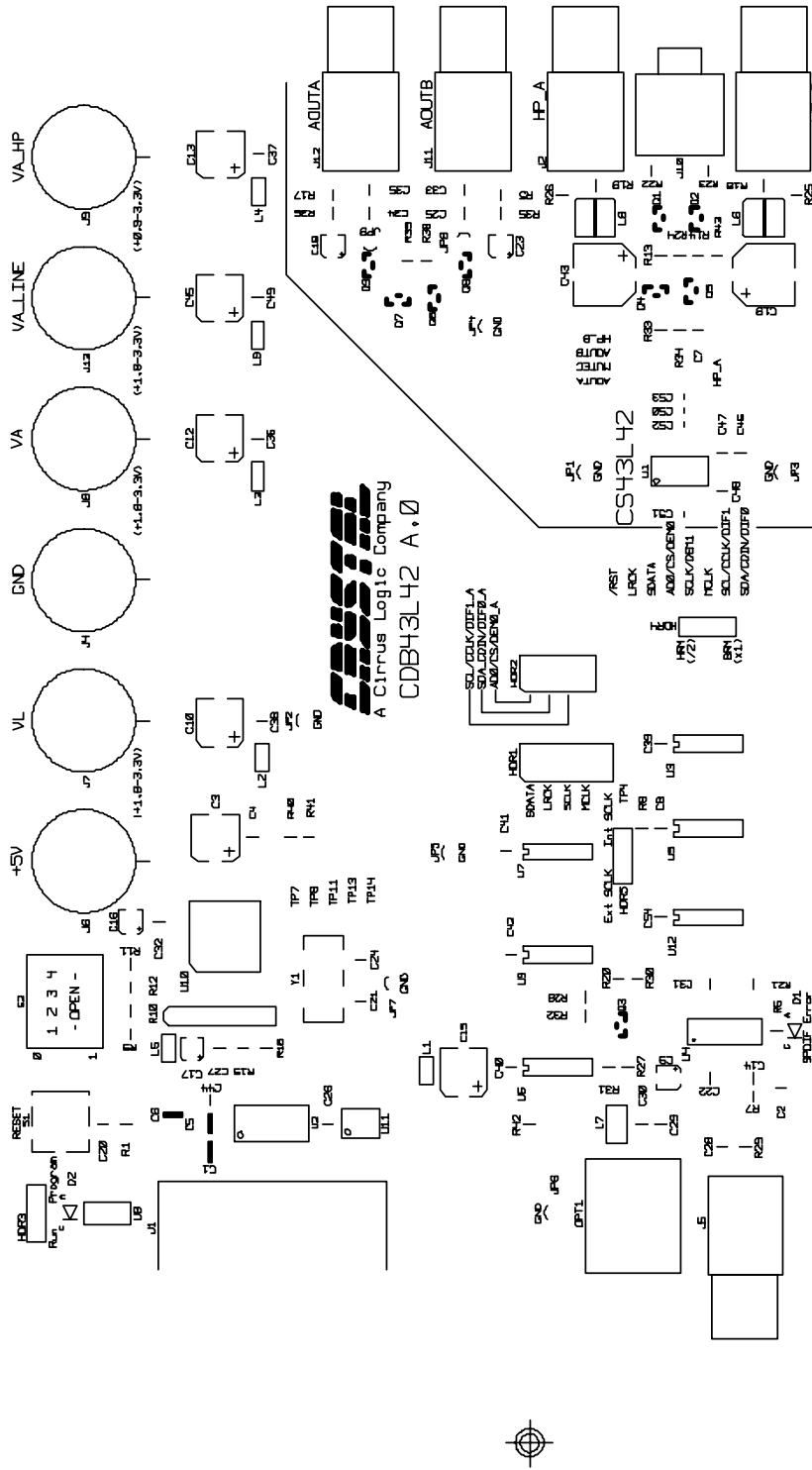


Figure 19. Headphone Output - FFT of 1 kHz Sine Wave at 3.0 V


Figure 20. Line Output - Frequency Response at 1.8 V

Figure 21. Line Output - Frequency Response at 3.0 V

Figure 22. Line Output - THD+N versus Amplitude at 1.8 V

Figure 23. Line Output - THD+N versus Amplitude at 3.0 V

Figure 24. Line Output - FFT of 1 kHz Sine Wave at 1.8 V

Figure 25. Line Output - FFT of 1 kHz Sine Wave at 3.0 V

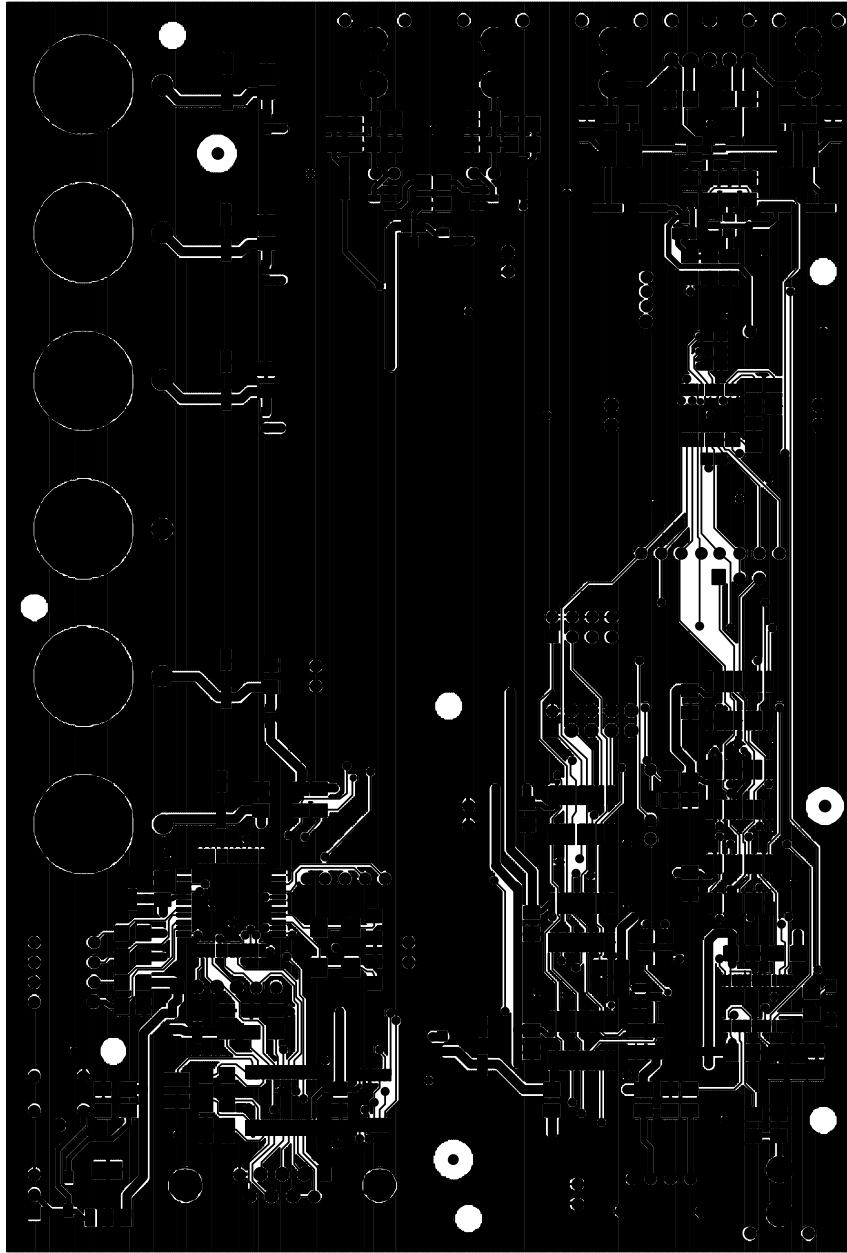
CRYSTAL SEMICONDUCTOR Customer Demonstration Board CDB43L42A.0



SILKSCREEN - TOP

Figure 26. Silkscreen Top

CRYSTAL SEMICONDUCTOR
Customer Demonstration Board
CDB43L42A.0

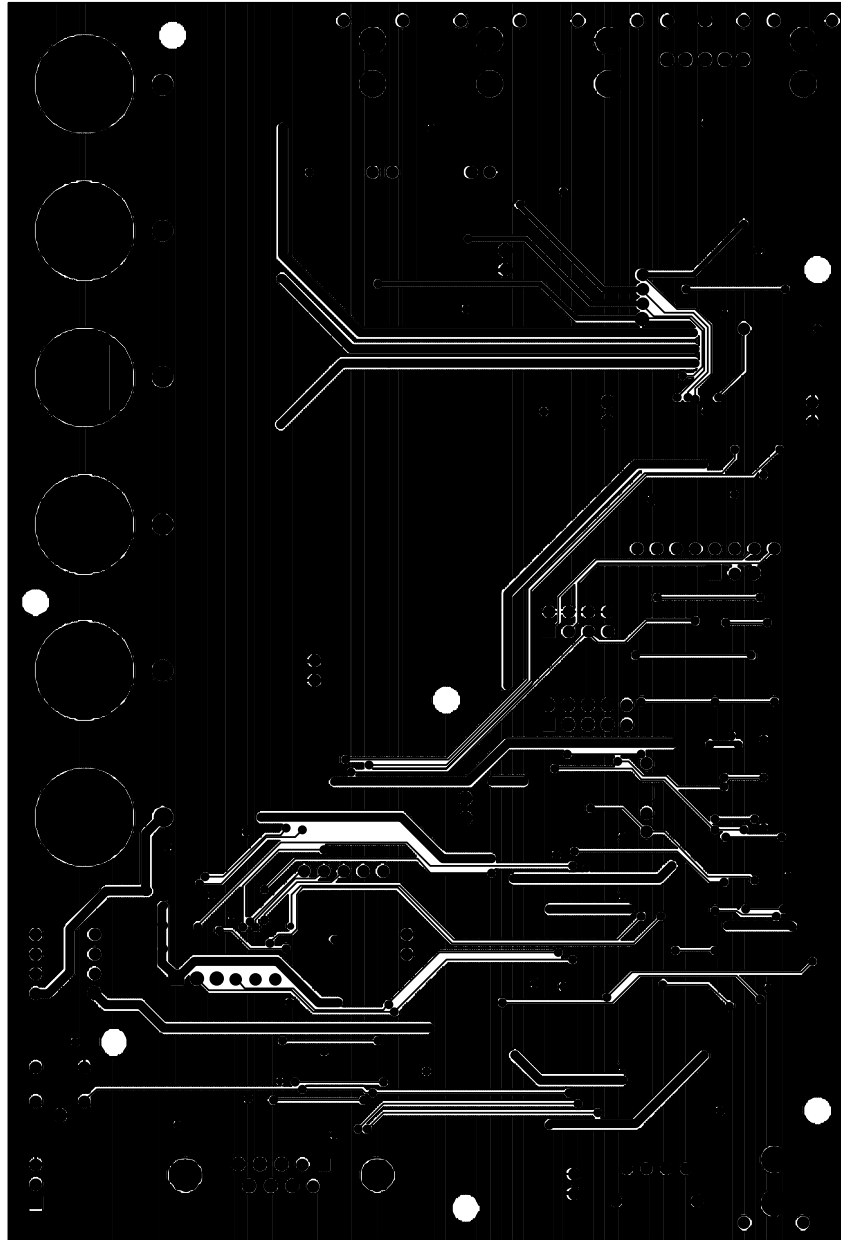


TOP SIDE

Figure 27. Top Side



CRYSTAL SEMICONDUCTOR
Customer Demonstration Board
CDB43L42A.0



BOTTOM SIDE

Figure 28. Bottom Side



• **Notes** •



CIRRUS LOGIC[®]