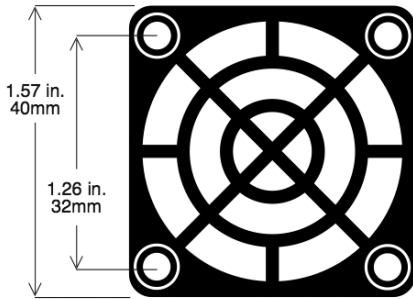


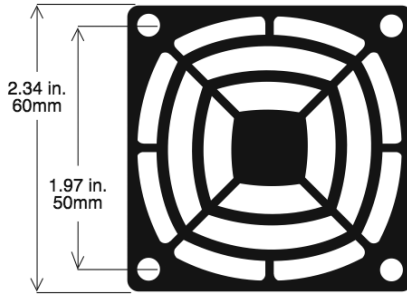
# Fan Guards



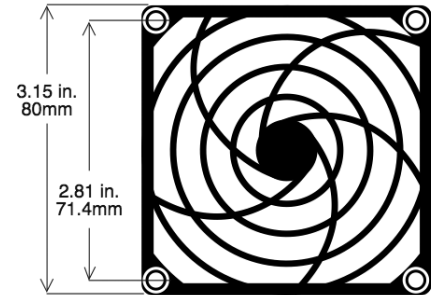
Plastic, UL94V-0



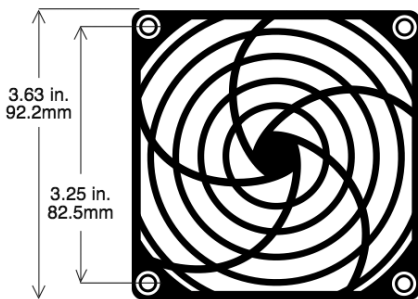
**G40P**



**G60P**



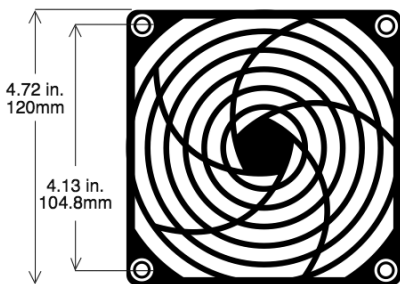
**G80P**



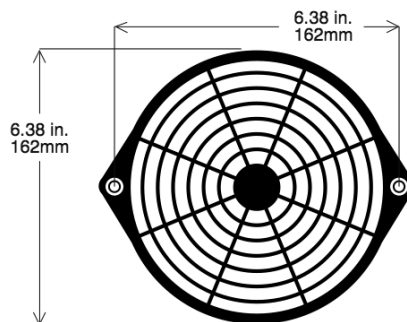
**G92P**



Part Number	Fan Size	Matching Fan Series
G40P	40mm (1.57")	OD4010, OD4020, OD4028
G60P	60mm (2.36")	OD6010, OD6015, OD6020, OD6025, OA60
G80P	80mm (3.15")	OD8015, OD8020, OD8025, OA825, OA80
G92P	92mm (3.62")	OD9220, OD9225, OA92, OA938
G120P G120POG	120mm (4.7")	OD1225, OD1238, OA125, OA109, OA4715
G172P	172mm (6.7")	OD172, OA162, OA172



**G120P**



**G172P**



**Aerodynamic design helps to reduce fan noise**

10557 Metric Drive, Dallas, Texas 75243  
Call Us: 800-323-2439 or 214-340-0265

www.OrionFans.com (Orion Fans is a registered Trademark of Knight Electronics, Inc.)