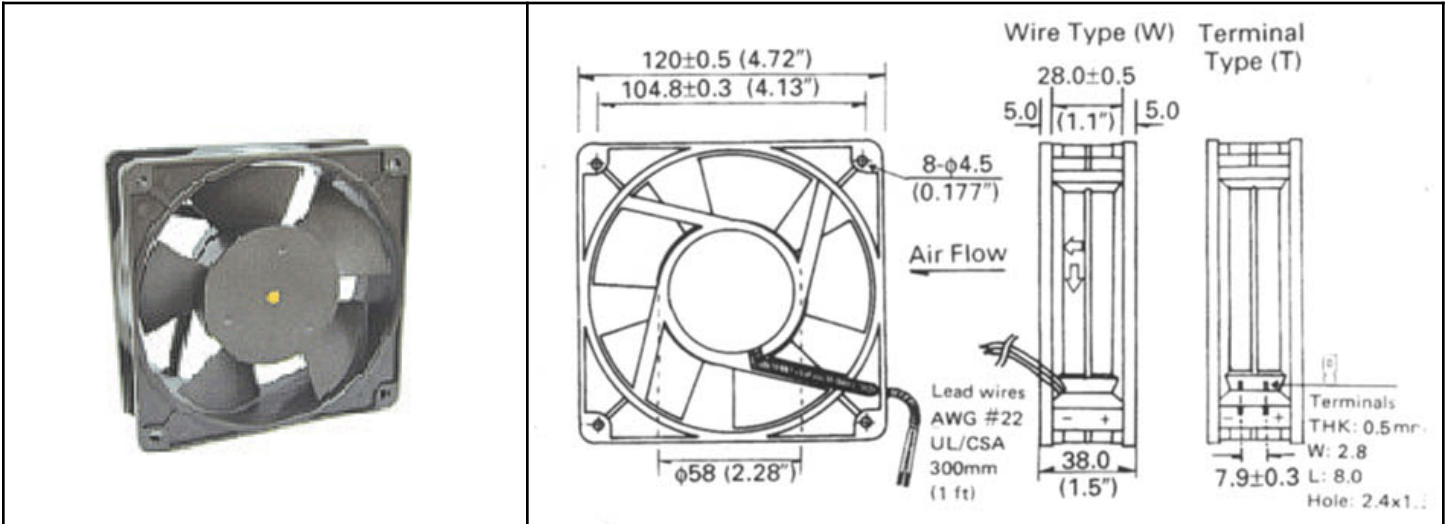


OD1238 Series



DC Fan - 48V
120x38mm (4.7"x 1.5")



Frame & Impeller	PBT, UL94V-O plastic	Available Options: Tachometer (Frequency Generator) Alarm (Rotation Detector) Thermistor (Thermal Speed Control) Sleeve Bearing	
Connection	2x Lead wires 22AWG or terminals		
Motor	Brushless DC, auto restart, impedance and polarity protected		
Bearing System	Dual ball bearing		
Insulation Resistance	10M ohm between leadwire and frame (500VDC)		
Dielectric Strength	1 second at 500 VAC, max leakage - 500 MicroAmp		
Temperature Range	-20C ~ +60C		
Life (L10)	65,000 hours (45C)		

Model Number	Speed (RPM)	Airflow (CFM)	Noise (dB)	Volts DC	Voltage Range (VDC)	Amps	Max. Static Pressure ("H2O)
OD1238-48H * B	3000	100	42	48	28 ~ 56	0.10	0.28
OD1238-48M * B	2550	79	33	48	28 ~ 56	0.08	0.21
OD1238-48L * B	2000	65	26	48	28 ~ 56	0.07	0.13
OD1238-48LL * B	1600	45	23	48	28 ~ 56	0.07	0.09

* Intert letter "T" to specify terminal type. - (Sleeve Bearing - Replace suffix "B" with "S" in part number.)