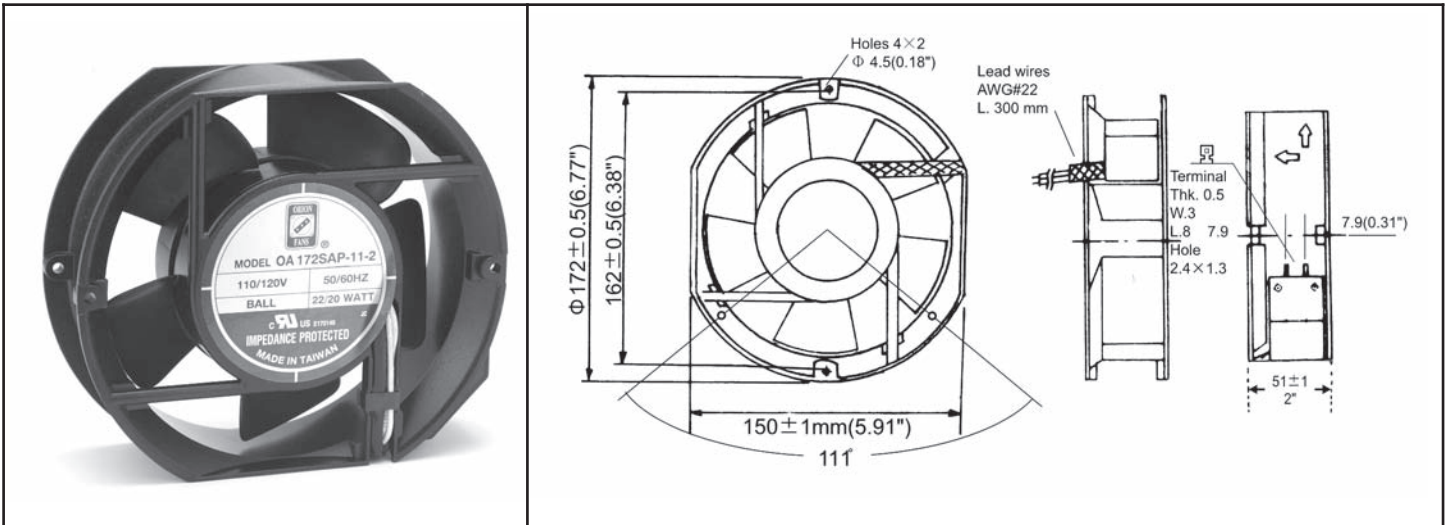


OA172S Series *



172 x 150 x 51mm
(6.7"x 5.9" x 2.0")



| | | | |
|-----------------------|--|--|--|
| Frame | Diecast Aluminum | Operating Temperature Ball Bearing -40C ~ +70C Life Expectancy Ball Bearing 60,000 hours (L10 at 40C) | |
| Impeller | PBT, UL94V-O plastic | | |
| Connection | 2x Lead Wires or Terminals | | |
| Motor | Capacitor drive, impedance protected | | |
| Bearing System | Dual ball | | |
| Insulation Resistance | >100M ohm between lead-wire and frame (500VDC) | | |
| Dielectric Strength | 1 min at 1500 VAC, 50/60Hz | | |

| Model Number | Speed (RPM) | Airflow (CFM) | Noise (dB) | Volts AC | Voltage Range | Watts | Max. Static Pressure (\"H2O) |
|-------------------|-------------|---------------|------------|----------|---------------|-------|------------------------------|
| OA172SAP-11-1()B | 3200 | 235 | 52 | 115 | 80~130 | 35 | 0.70 |
| OA172SAP-11-2()B | 2400 | 170 | 42 | 115 | 80~130 | 20 | 0.49 |
| OA172SAP-11-3()B | 1800 | 135 | 33 | 115 | 80~130 | 16 | 0.43 |
| OA172SAP-22-1()B | 3200 | 235 | 52 | 230 | 160~260 | 35 | 0.70 |
| OA172SAP-22-2()B | 2400 | 170 | 42 | 230 | 160~260 | 20 | 0.49 |
| OA172SAP-22-3()B | 1800 | 135 | 33 | 230 | 160~260 | 16 | 0.43 |

() Indicate "T" for Terminal or "W" for Wire Leads



* Use prefix OA172AP instead of OA172SAP to specify round frame instead of the flat-sided, "stackable" version.