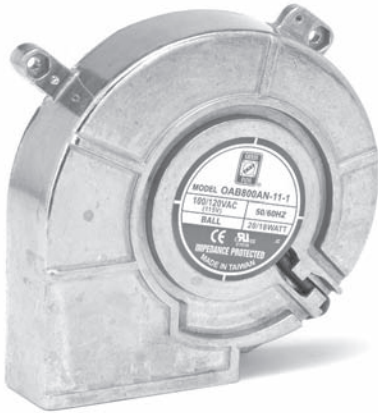


AC BLOWERS

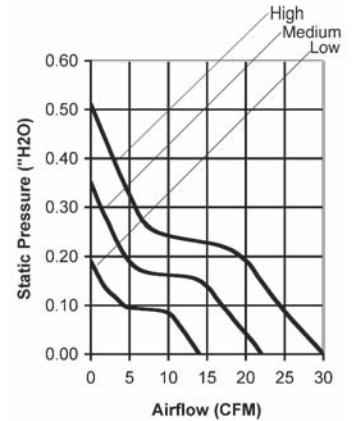


OAB800AN

FRAME
Diecast Aluminum

IMPELLER
Glass reinforced PBT, UL94V-0

POWER CONNECTION
Two lead wires 300mm (12")

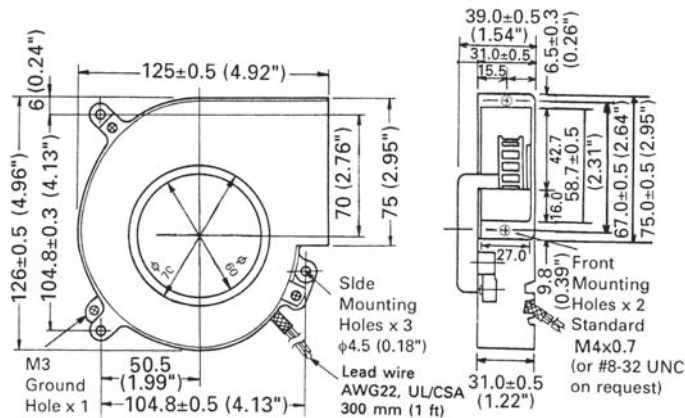


| MODEL NUMBER | SPEED (RPM) | AIRFLOW (CFM) | NOISE (DB) | VOLTS AC | VOLTAGE RANGE | WATTS | MAX. STATIC PRESSURE (H ₂ O) |
|----------------|-------------|---------------|------------|----------|---------------|-------|---|
| OAB800AN-11-1B | 2800 | 30 | 48 | 115 | 80~120 | 18 | 0.51 |
| OAB800AN-11-2B | 2100 | 22 | 39 | 115 | 80~120 | 12 | 0.35 |
| OAB800AN-11-3B | 1400 | 14 | 28 | 115 | 80~120 | 9 | 0.19 |
| OAB800AN-22-1B | 2800 | 30 | 48 | 220 | 150~240 | 18 | 0.51 |
| OAB800AN-22-2B | 2100 | 22 | 39 | 220 | 150~240 | 12 | 0.35 |
| OAB800AN-22-3B | 1400 | 14 | 28 | 220 | 150~240 | 9 | 0.19 |

MOTOR
Shaded pole,
Impedance protected

DIELECTRIC STRENGTH
1 minute at 1500VAC / 50/60Hz
0.5mA

LIFE EXPECTANCY (L10)
Dual Ball Bearing
60,000 hrs @ 60C (140F)



OPERATING TEMPERATURE
Dual Ball Bearing
-20C ~ +80C

WEIGHT
1.2 lbs.

Drawing for dimensional reference only.