

Features

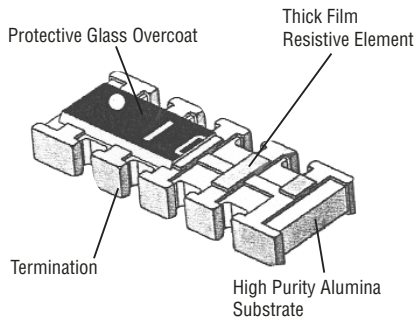
- JA version available to 100K ohms
- 10 pin with 8 resistors in bussed type for pull up/down circuit
- RoHS compliant*
- Convex termination style
- Resistance tolerance $\pm 5\%$
- E24 Series from 10 ohms to 43K ohms
- Suitable for all types of soldering processes
- Paper tape on plastic reel for automatic placement

Model CAY17 - Bussed Resistor Array

Characteristics

Number of Resistors.....8 (bussed circuit)
 Power Rating per Resistor @ 70 °C
31 mW
 Package Power Rating @ 70 °C
250 mW
 Operating Temperature Range
-55 °C to +125 °C
 Derated to 0 Load @+125 °C
 Max. Working Voltage25 V
 Max. Overload Voltage50 V
 Resistance Tolerance $\pm 5\%$
 Resistance Range/E24 Series
 JA version10 ohms to 100K ohms
 JB version10 ohms to 43K ohms
 T.C.R. ± 250 ppm/°C

Construction



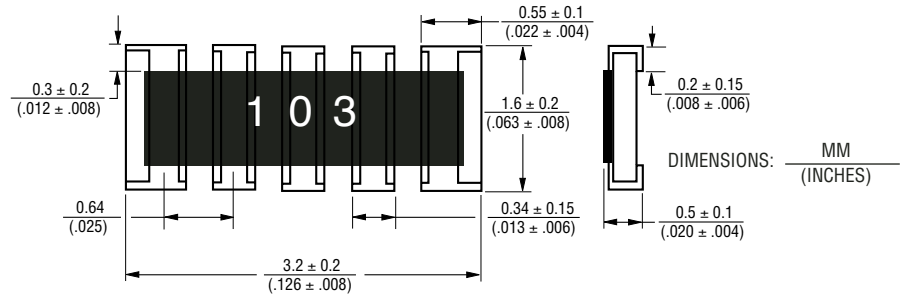
How To Order

CA Y 17 - 103 J A LF

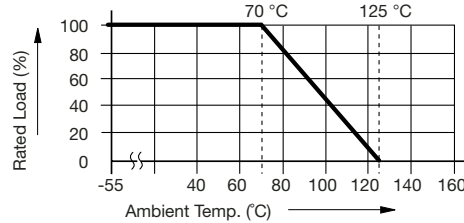
- Chip Arrays _____
 Type _____
 • Y = Convex
 Model _____
 • 17 = 1206 Package Size
 Resistance Code _____
 • 103 = 10K ohms
 (JA range: 10 ohms to 100K ohms;
 JB range: 10 ohms to 43K ohms)
 Resistance Tolerance _____
 • J = $\pm 5\%$
 Resistors _____
 • A = Common from terminal 5 to 10
 • B = Common from terminal 1 to 6
 Terminations _____
 • LF = Tin-plated (RoHS compliant)

For Standard Values Used in Capacitors, Inductors, and Resistors, [click here](#).

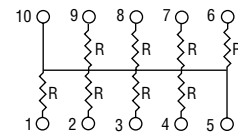
Product Dimensions



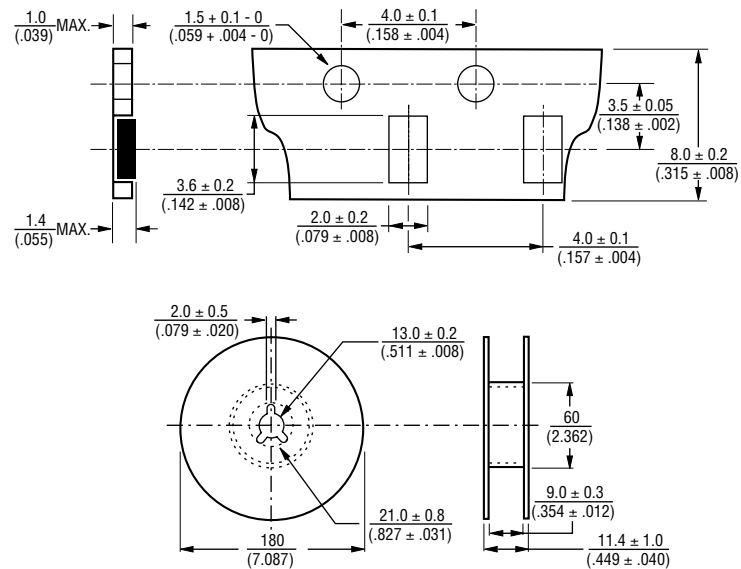
Derating Curve



Bussed Circuits - Option A



Packaging Dimensions

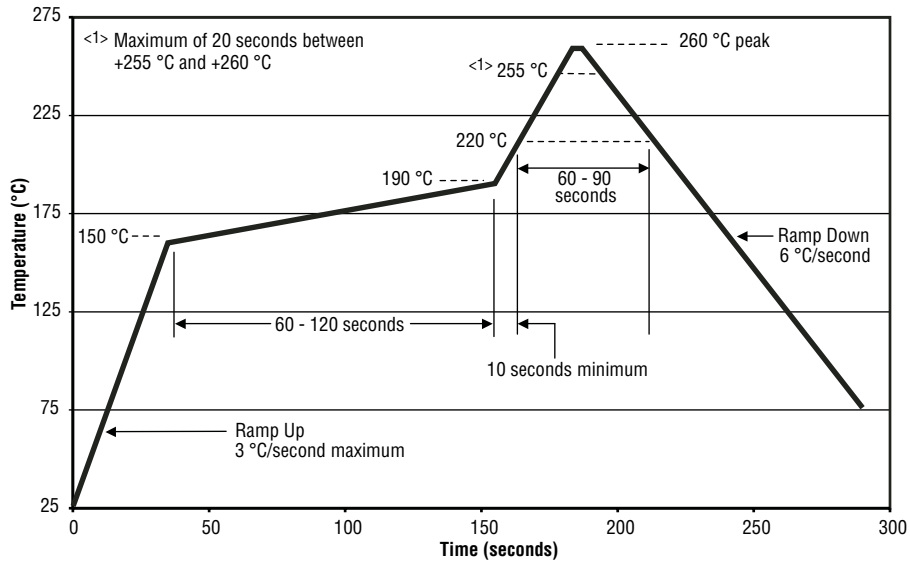


*RoHS Directive 2002/95/EC Jan 27 2003 including Annex Specifications are subject to change without notice. Customers should verify actual device performance in their specific applications.

Model CAY17 - Bussed Resistor Array

BOURNS®

Soldering Profile for RoHS Compliant Chip Resistors and Arrays



REV. 02/08

Specifications are subject to change without notice.
Customers should verify actual device performance in their specific applications.