

High Current/High Voltage Resin Sealed Filters

High current filters are ideal for use in high current 5 volt logic buss, but also can be used for ± 48 VDC telephone rack buss, high current switch mode power supplies and DC charging systems. High voltage filters find use in high voltage power supplies and applications requiring U.L. Hi-Pot.

Features

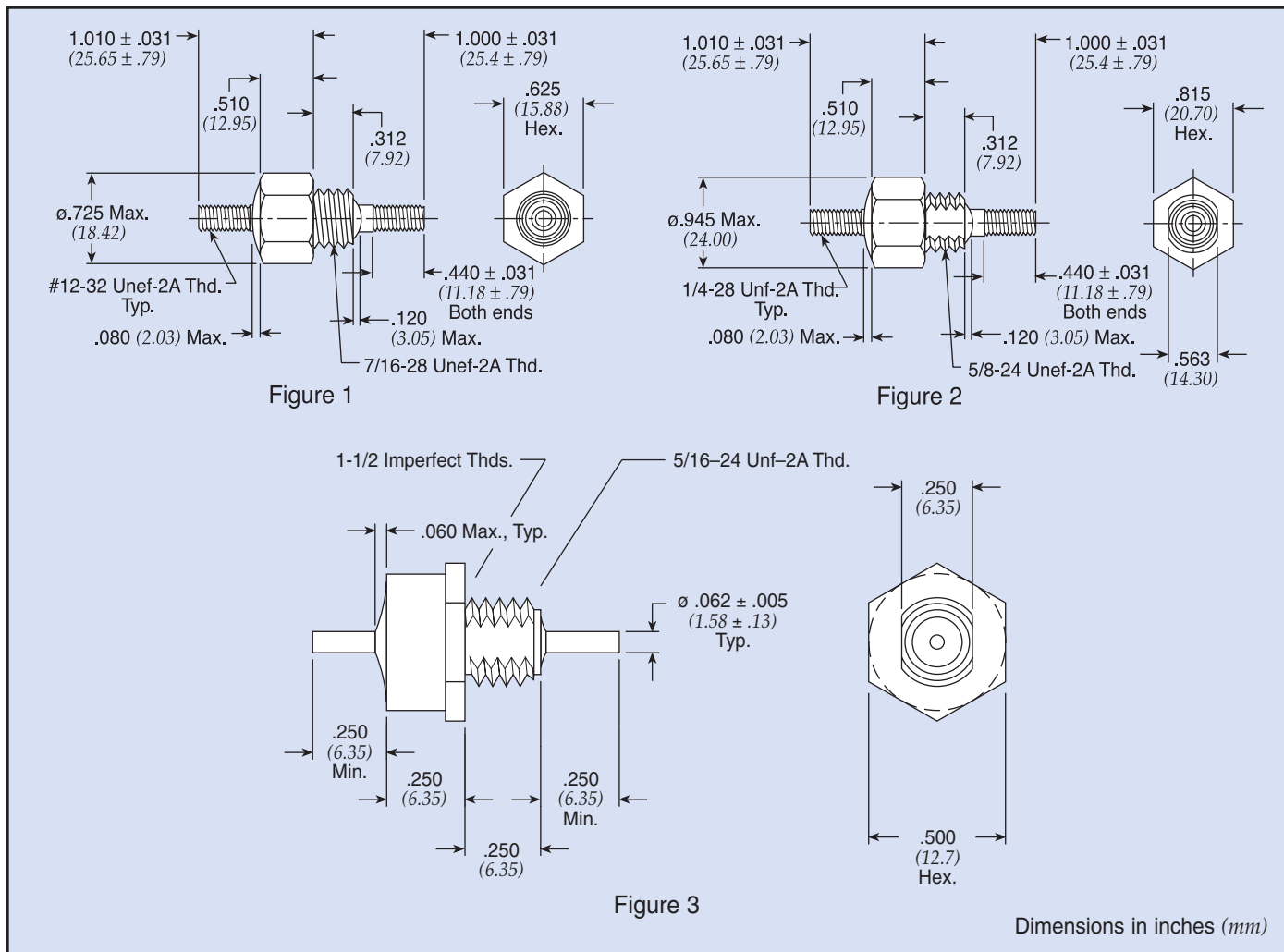
- Current ratings up to 100 Amps
- Continuous voltage ratings up to 1250 VDC/240 VAC (400Hz)
- U.L. 1459 recognized and CSA C22.2 approved versions available
- Rugged bolt-in style for easy installation



Installation Notes

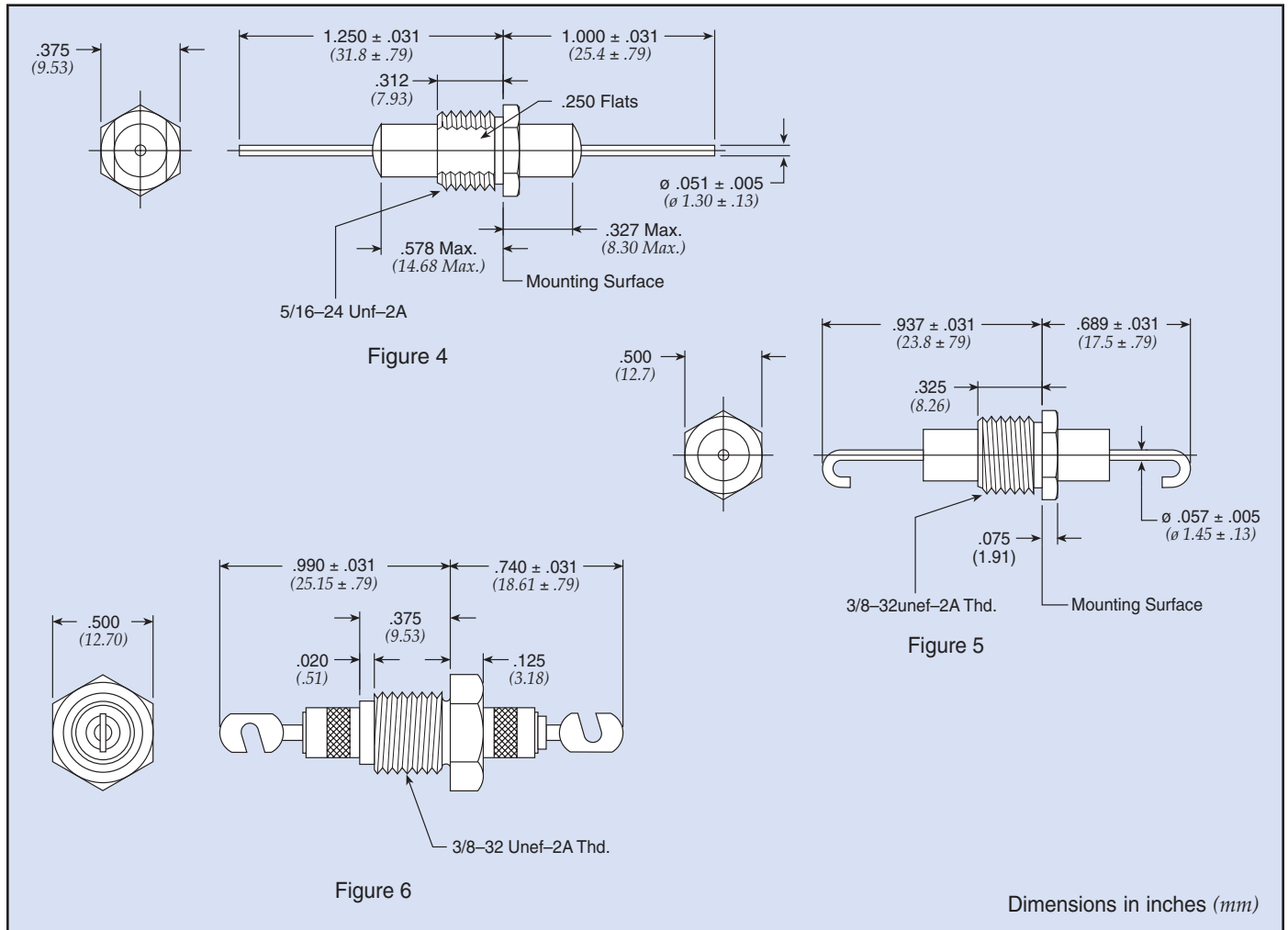
for Figure 1 & 2 — see below (Figure 3 see page 16)

1. Mounting installation torque
 - Method A:** Mounting in full threaded thru hole
Maximum torque: 96 in-lbs
 - Method B:** Mounting w/hardware
Maximum torque: 84 in-lbs
2. Terminal installation torque
Maximum torque: 20 in-lbs
Note: Use two wrench method to install terminal hardware



High Current/High Voltage Resin Sealed Filters

High Current High Voltage Feed-thru



| Part Number | Figure | Rated Voltage 125°C | | I Amp | CKT | Min Cap | Minimum Insertion Loss (dB) | | | | | | | |
|--------------|--------|------------------------|-------|----------|-----|------------------------|-----------------------------|----------|-----------|-----------|------------|------------|----------|-----------|
| | | DC | AC*** | | | | 1 MHz | 3 MHz | 10 MHz | 30 MHz | 100 MHz | 300 MHz | 1 GHz | 10 GHz |
| 54-848-005* | 1 | 60 | — | 50 | C | 0.22 μ F | 20 | 30 | 40 | 50 | 50 | 50 | 50 | 50 |
| 54-853-001* | 2 | 60 | — | 50 | C | 0.22 μ F | 20 | 30 | 40 | 50 | 50 | 50 | 50 | 50 |
| 54-853-004 € | 2 | 200 | 140 | 100 | C | 0.22 μ F | 20 | 30 | 40 | 50 | 50 | 50 | 50 | 50 |
| 54-848-008 | 1 | 200 | 140 | 100 | C | 0.22 μ F | 20 | 30 | 40 | 50 | 50 | 50 | 50 | 50 |
| 54-844-001** | 3 | 600 | 240 | 25 | C | 4700 pF \pm 20% | — | — | 12 | 20 | 30 | 33 | 50 | 50 |
| 54-844-002** | 3 | 600 | 240 | 25 | C | 0.01 μ F \pm 20% | 3 | 7 | 20 | 25 | 35 | 40 | 57 | 57 |
| 54-763-008 | 4 | 750 | — | 25 | C | 1000 pF | — | — | — | 10 | 20 | 28 | 28 | 28 |
| 54-763-009 | 4 | 750 | — | 25 | C | 4000 pF | — | — | 10 | 22 | 32 | 35 | 35 | 40 |
| 54-789-003 | 5 | 1250 | — | 25 | C | 4000 pF | — | — | 6 | 20 | 30 | 35 | 35 | 35 |
| † 1280-060 € | 6 | 2500 | — | 25 | Pi | 1500 pF | — | — | 5 | 15 | 50 | 50 | 50 | 50 |

† Also available through Spectrum Control's authorized distributors.

€ Also available through Spectrum Control's authorized European distributors/agents.

* Denotes parts that are UL recognized to UL 60950 and certified to CSA C22.2

** Denotes parts that meet 1500 VAC Dielectric Withstanding Voltage per UL 1283 and CSA C22.2

*** AC Voltage to be 400Hz