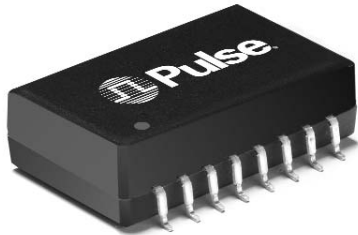


HOME PHONE NETWORKING BANDPASS AND 10BASE-T FILTER MODULE



- For use with AMD's 79C978 Phonenumber/Ethernet LAN Controller
- Supports TUT Systems® Home Run™ Technology
- Includes protection circuitry, isolation and EMI filtering
- Contains 10BASE-T transmit and receive isolation and EMI filtering

Electrical Specifications @ 25°C — Operating Temperature 0°C to 70°C

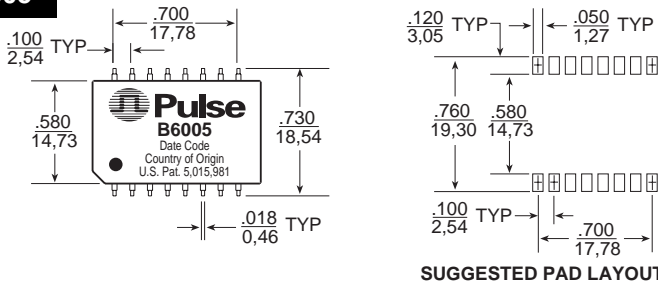
PARAMETER	TEST CONDITION	MIN.	NOM.	MAX.	UNITS
TUT™ Insertion Loss					
6.0 MHz	Input (7-8), Output (9-10)		3.2	4	dB
7.5 MHz	HP-8751A S21 100 Ω		2.8	3.5	dB
9.0 MHz			3.4	4	dB
TUT™ Attenuation					
1.0 MHz	Input (7-8), Output (9-10)	70	80		dB
27 MHz	HP-8751A S21 100 Ω	55	60		dB
TUT™ Return Loss (6.0 MHz to 9.0 MHz)	Input (9-10), 100 Ω (7-8) HP-8751A S11 100 Ω	10	12		dB
10BASE-T Turns Ratio	Transmit (4-5):(13-12)	1.38	1.41	1.44	
	Receive (1-2):(16-15)	0.98	1.0	1.02	
10BASE-T Inductance	Transmit (4-5) 10 KHz, 0.02 Vrms	140	180		μH
	Receive (1-2) 10 KHz, 0.02 Vrms	140	180		μH
10BASE-T Leakage Inductance	(4-5) with (13-12) Shorted		0.5	0.7	μH
	(1-2) with (16-15) Shorted		0.8	1.0	μH
10BASE-T Interwinding Capacitance	(4-5) Short to (13-12) Shorted		10	12	pF
	(1-2) Short to (16-15) Shorted		10	12	pF
DC Resistance	(1-2), (4-5)		0.2	0.3	Ω
	(13-12), (16-15)		0.6	0.8	Ω
10BASE-T Return Loss	(13-12) to (4-5) 50 Ω	18	23		dB
	(16-15) to (1-2) 100 Ω	18	23		dB
Isolation	Pins (1-8) shorted to (9-16) shorted	2000			Vrms

NOTE: Filters are shipped in tubes unless tape and reel is specified. Please add the suffix "T" (i.e. B6005T) for tape and reel orders.

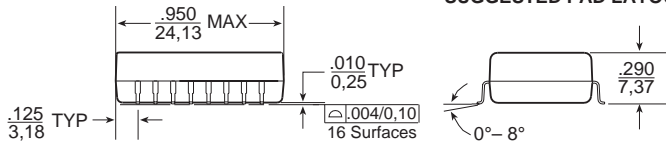
Mechanical

Schematic

B6005

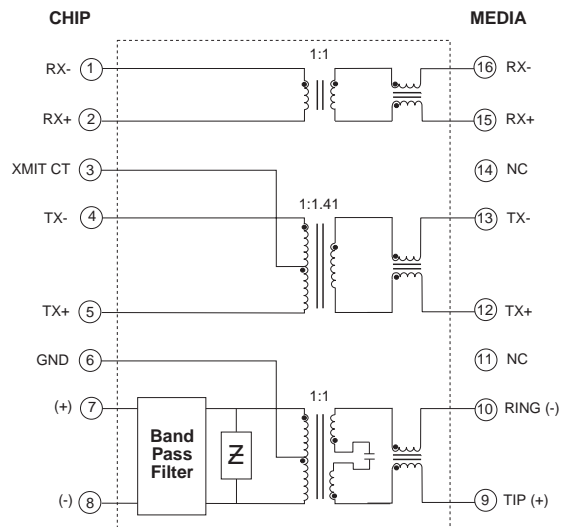


SUGGESTED PAD LAYOUT



Weight 6.0 grams
Tape & Reel200/reel
Tube20/tube

Dimensions: Inches
mm
Unless otherwise specified, all tolerances are ± .010
0,25



For More Information :

UNITED STATES (Worldwide)	UNITED KINGDOM (Northern Europe)	FRANCE (Southern Europe)	SINGAPORE (Southern Asia)	TAIWAN, R.O.C. (Northern Asia)	HONG KONG (China/Hong Kong)	DISTRIBUTOR
12220 World Trade Drive San Diego, CA 92128 U.S.A. http://www.pulseeng.com TEL: 858 674 8100 FAX: 858 674 8262	1 & 2 Huxley Road The Surrey Research Park Guildford, Surrey GU2 5RE United Kingdom TEL: 44 1483 401700 FAX: 44 1483 401701	Zone Industrielle F-39270 Orgelet France TEL: 33 3 84 35 04 04 FAX: 33 3 84 25 46 41	150 Kampong Ampat #07-01/02 KA Centre Singapore 368324 TEL: 65 6287 8998 FAX: 65 6280 0080	3F-4, No. 81, Sec. 1 HsinTai Wu Road Hsi-Chih, Taipei Hsien Taiwan, R.O.C. Tel: 886 2 2698 0228 FAX: 886 2 2698 0948	9/F, Phase 2, Tai Sang Shatin Warehouse Centre 6 Wong Chuk Yeung Street Fotan, Shatin, Hong Kong TEL: 852 2788 6588 FAX: 852 2776 1055	

Performance warranty of products offered on this data sheet is limited to the parameters specified. Data is subject to change without notice. Other brand and product names mentioned herein may be trademarks or registered trademarks of their respective owners. Tut Systems is a registered trademark of Tut Systems, Inc. and both TUT and HOME RUN are trademarks of Tut Systems, Inc.

Printed on recycled paper. ©2003, Pulse Engineering, Inc.

B918.A (12/03)