

High Frequency Ceramic Solutions

896 MHz Balun/Matching Network for T.I. Chipset CC11XX

P/N 0896BM15A0001

Detail Specification: 01/15/2010

Page 1 of 3

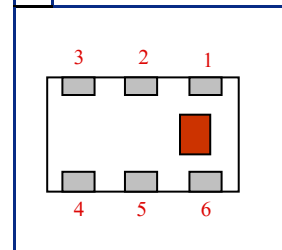
General Specifications

Part Number	0896BM15A0001
Frequency (MHz)	863 - 928 MHz
Unbalanced Impedance	50 Ω
Differential Balanced Impedance	Conj. match to T.I. CC11XX Chipset
Insertion Loss	1.5 dB max.
Return Loss	9.5 dB min.
Attenuation (min.)	25 @ 1726 - 1856MHz
	35 min.@ 2589 - 2784MHz
	35 min.@ 3452 - 3712MHz
	35 min.@ 4315 - 4640MHz

Phase Difference	180° ± 10
Amplitude Difference	1.5 dB max.
Operating Temperature	-40 to +85°C
Power Rating	1W max.
Storage Conditions	+5 to +35°C, Humidity 45 - 75%RH
Storage Period	12 mos. Max
Reel quantity	4000 pcs
Moisture Sensitivity Level	2

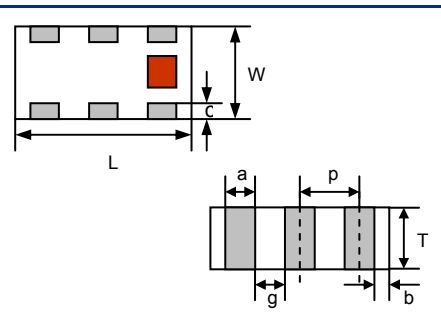
Terminal Configuration

No.	Function
1	Unbalanced Port
2	GND
3	Balanced Port
4	Balanced Port
5	GND
6	GND



Mechanical Dimensions

	In	mm
L	0.079 ± 0.004	2.00 ± 0.10
W	0.049 ± 0.004	1.25 ± 0.10
T	0.028 ± 0.004	0.70 ± 0.10
a	0.012 ± 0.004	0.30 ± 0.10
b	0.008 ± 0.004	0.20 ± 0.10
c	0.012 +.004/- .008	0.30 +0.1/-0.20
g	0.014 ± 0.004	0.35 ± 0.10
p	0.026 ± 0.002	0.65 ± 0.05

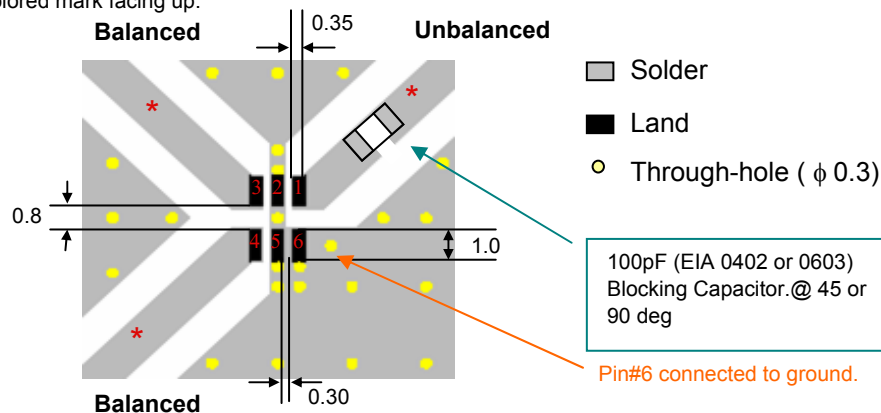


Mounting Considerations

* Line width should be designed to match 50 Ω characteristic impedance, depending on PCB material and thickness.

Mount device with colored mark facing up.

Pin reference



Units: mm

Johanson Technology, Inc. reserves the right to make design changes without notice.

All sales are subject to Johanson Technology, Inc. terms and conditions.



www.johansontechnology.com

4001 Calle Tecate • Camarillo, CA 93012 • TEL 805.389.1166 FAX 805.389.1821

2009 Johanson Technology, Inc. All Rights Reserved

High Frequency Ceramic Solutions

896 MHz Balun/Matching Network for T.I. Chipset CC11XX

P/N 0896BM15A0001

Detail Specification: 01/15/2010

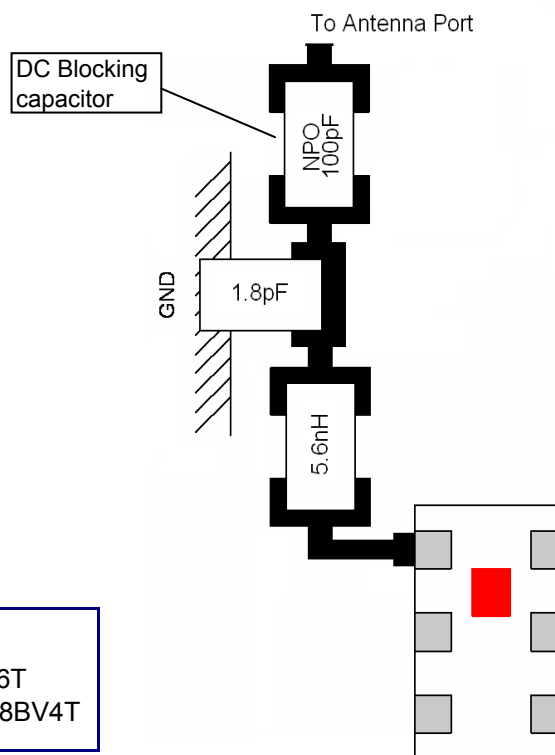
Page 2 of 3

Typical Electrical Performance (T=25°C)

Note:

Additional output filtering may be required depending on output power in order to comply with FCC and/or ETSI regulations

Mount device with colored mark facing up.



Component P/N:
5.6nH Inductor: L-07C5N6SV6T
1.8pF Capacitor: 500R07S1R8BV4T

Johanson Technology, Inc. reserves the right to make design changes without notice.
All sales are subject to Johanson Technology, Inc. terms and conditions.



www.johansontechnology.com
4001 Calle Tecate • Camarillo, CA 93012 • TEL 805.389.1166 FAX 805.389.1821

2009 Johanson Technology, Inc. All Rights Reserved

High Frequency Ceramic Solutions

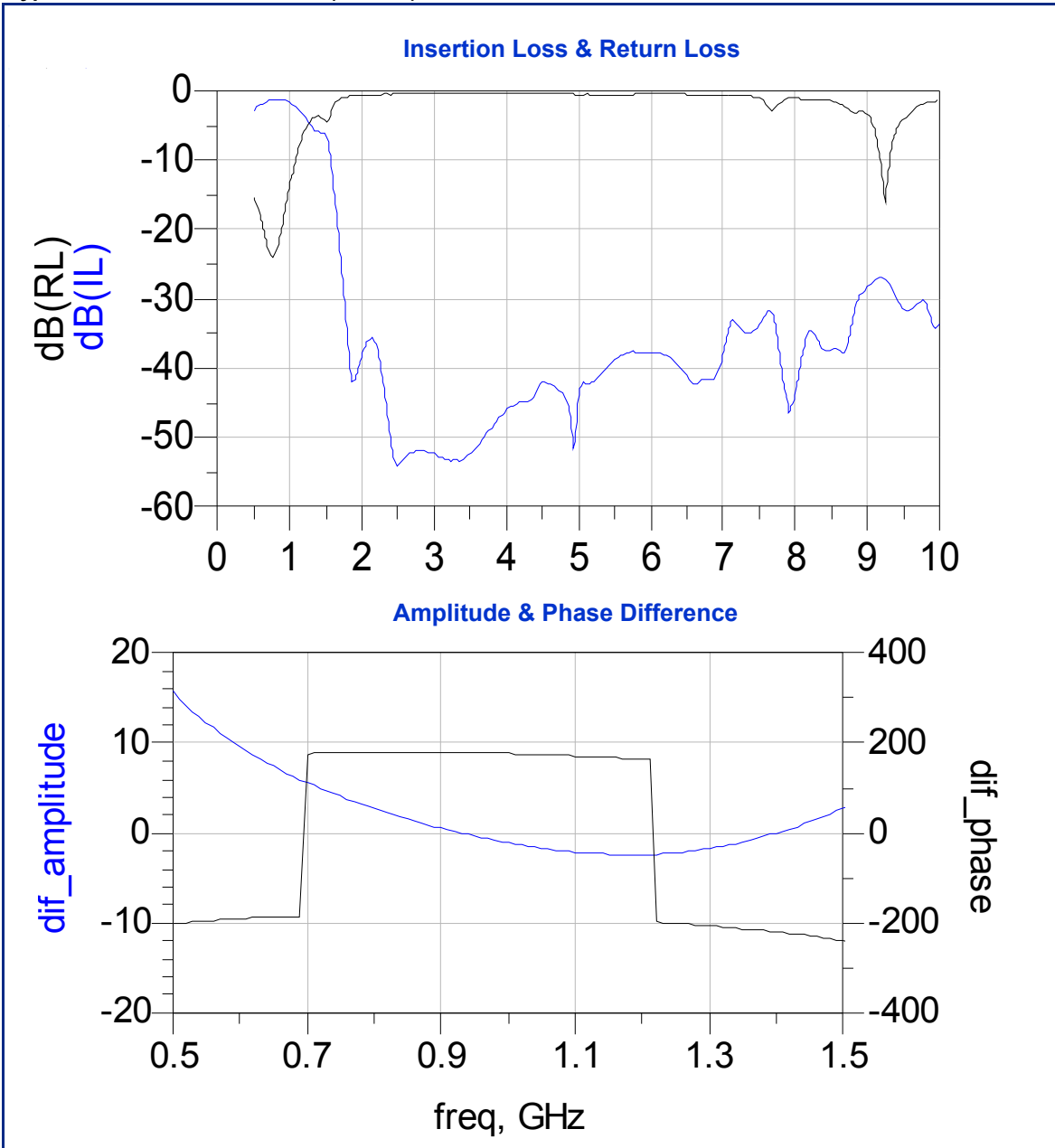
896 MHz Balun/Matching Network for T.I. Chipset CC11XX

P/N 0896BM15A0001

Detail Specification: 01/15/2010

Page 3 of 3

Typical Electrical Performance (T=25°C)



Johanson Technology, Inc. reserves the right to make design changes without notice.
All sales are subject to Johanson Technology, Inc. terms and conditions.



www.johansontechnology.com

4001 Calle Tecate • Camarillo, CA 93012 • TEL 805.389.1166 FAX 805.389.1821

2009 Johanson Technology, Inc. All Rights Reserved