

Low Pass Filter Array-1206 Four Element



Integrated Passive Component

GENERAL DESCRIPTION

With the equivalent of 8 resistors and 4 capacitors in a 1206 package the circuit provides four equivalent RCR T-Filters with a dual common ground.

Primary applications are in signal filtering, EMI Suppression and Mobil or Cordless systems. The initial availability is for designs with capacitor values from 10–100 pF and resistance values from 10 to 1000 Ohms.

Filter 3dB points available from 1.6MHz to 1.6GHz

APPLICATIONS

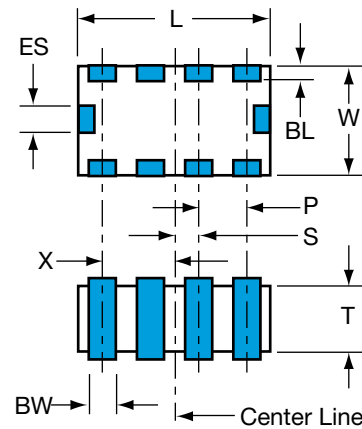
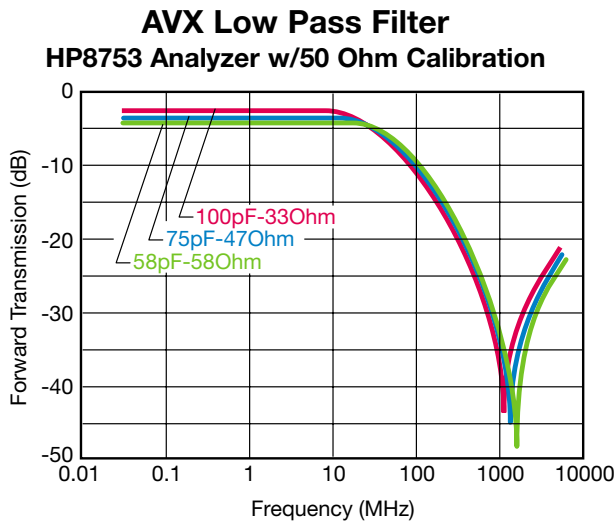
T-Filter Designs, Low Pass Filtering, I/O Cables, Digital Circuits, EMI Filtering, Digital Control Lines, IF Filter

KEY BENEFITS / FEATURES

- Significant space savings
- Filter 4 circuits with a single package
- Distributed capacitance
- Shielded resistance

CUSTOM DESIGNS

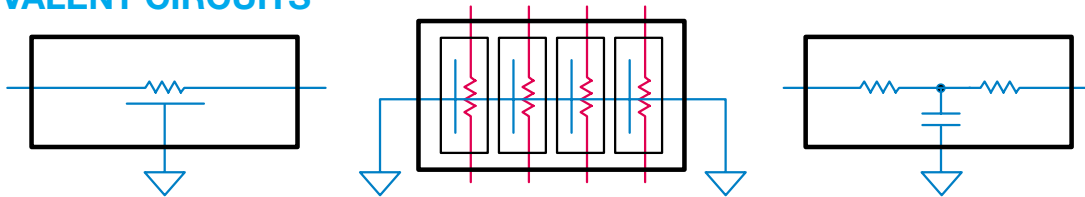
RAMBUS design for Differential Clock Filter



PART DIMENSIONS millimeters (inches)

L	W	T	BW	BL	P	X	S	ES
3.25±0.15 (.128±.006)	1.60±0.20 (.063±.008)	1.22 MAX (.048 MAX)	0.41±0.10 (.016±.004)	0.18 ^{+0.25} / _{-0.08} (.007 ^{+0.10} / _{-.003})	0.76 REF (.030 REF)	1.14±0.10 (.045±.004)	0.38±0.10 (.015±.004)	0.41±0.10 (.016±.004)

EQUIVALENT CIRCUITS



HOW TO ORDER

Z	3	F	4	3	Y	330	M	301	K	A	T	2	A
Size	Filter Array	Number of Caps	Voltage	Dielectric	Capacitance Code	Cap Tolerance	Resistance Code	Resist Tolerance	Failure Rate	Terminations	Packaging Code (Reel Size)		
3=1206			3=25v	Y= ±500PPM		M=±20%		M=±10%	A=Not Applicable	T=Plated Ni and Solder	2=7" Reel Paper Tape		



NOTICE: Specifications are subject to change without notice. Contact your nearest AVX Sales Office for the latest specifications. All statements, information and data given herein are believed to be accurate and reliable, but are presented without guarantee, warranty, or responsibility of any kind, expressed or implied. Statements or suggestions concerning possible use of our products are made without representation or warranty that any such use is free of patent infringement and are not recommendations to infringe any patent. The user should not assume that all safety measures are indicated or that other measures may not be required. Specifications are typical and may not apply to all applications.

USA

AVX Myrtle Beach, SC Corporate Offices

Tel: 843-448-9411
FAX: 843-448-1943

AVX Northwest, WA

Tel: 360-669-8746
FAX: 360-699-8751

AVX North Central, IN

Tel: 317-848-7153
FAX: 317-844-9314

AVX Northeast, MA

Tel: 508-485-8114
FAX: 508-485-8471

AVX Mid-Pacific, CA

Tel: 408-436-5400
FAX: 408-437-1500

AVX Southwest, AZ

Tel: 602-539-1496
FAX: 602-539-1501

AVX South Central, TX

Tel: 972-669-1223
FAX: 972-669-2090

AVX Southeast, NC

Tel: 919-878-6357
FAX: 919-878-6462

AVX Canada

Tel: 905-564-8959
FAX: 905-564-9728

AVX Limited, England European Headquarters

Tel: ++44 (0)1252 770000
FAX: ++44 (0)1252 770001

AVX S.A., France

Tel: ++33 (1) 69.18.46.00
FAX: ++33 (1) 69.28.73.87

AVX GmbH, Germany - AVX

Tel: ++49 (0) 8131 9004-0
FAX: ++49 (0) 8131 9004-44

AVX GmbH, Germany - Elco

EUROPE

Tel: ++49 (0) 2741 2990
FAX: ++49 (0) 2741 299133

AVX srl, Italy

Tel: ++390 (0)2 614571
FAX: ++390 (0)2 614 2576

AVX sro, Czech Republic

Tel: ++420 (0)467 558340
FAX: ++420 (0)467 558345

ASIA-PACIFIC

AVX/Kyocera, Singapore Asia-Pacific Headquarters

Tel: (65) 258-2833
FAX: (65) 350-4880

AVX/Kyocera, Hong Kong

Tel: (852) 2-363-3303
FAX: (852) 2-765-8185

AVX/Kyocera, Korea

Tel: (82) 2-785-6504
FAX: (82) 2-784-5411

AVX/Kyocera, Taiwan

Tel: (886) 2-2696-4636
FAX: (886) 2-2696-4237

AVX/Kyocera, China

Tel: (86) 21-6249-0314-16
FAX: (86) 21-6249-0313

AVX/Kyocera, Malaysia

Tel: (60) 4-228-1190
FAX: (60) 4-228-1196

Elco, Japan

Tel: 045-943-2906/7
FAX: 045-943-2910

Kyocera, Japan - AVX

Tel: (81) 75-604-3426
FAX: (81) 75-604-3425

Kyocera, Japan - KDP

Tel: (81) 75-604-3424
FAX: (81) 75-604-3425



<http://www.avxcorp.com>

S-LPFA5M899-N