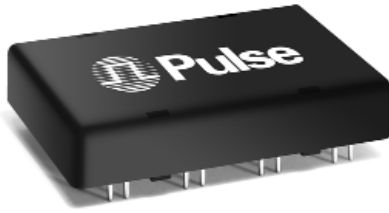


VDSL QUAD PORT CO FILTER MODULES

For Infineon Octal VDSL 10Base-S Chipsets



- ✔ Approved and recommended by Infineon for their PEF22824/22825 Octal VDSL 10Base-S chipsets
- ✔ Multi-function model includes: HPF Splitter, Hybrid Transformer, TX and RX Separation Filters and Common Mode Choke
- ✔ Designed to meet IEC950 supplementary insulation requirements

Electrical Specifications @ 25°C — Operating Temperature -40°C to +85°C

Part Number	TX to Line Specifications			Line to RX Specifications		
	Insertion Loss (dB MAX) (1 MHz - 3.4 MHz)	Stopband Frequency	Attenuation (MIN) (dB)	Insertion Loss (dB MAX) (4.1 MHz - 7.9 MHz)	Stopband Frequency	Attenuation (dB MIN)
BX4037	1	10 kHz - 100 kHz	65	1.5	10 kHz - 500 kHz	65
		100 kHz - 300 kHz	25		500 kHz - 3.0 MHz	18
		17 MHz - 20 MHz	15		17 MHz - 20 MHz	25
BX4038	1	10 kHz - 100 kHz	65	1.5	10 kHz - 700 kHz	65
		100 kHz - 500 kHz	25		700 kHz - 3.0 MHz	18
		17 MHz - 20 MHz	15		17 MHz - 20 MHz	25

Additional Specifications

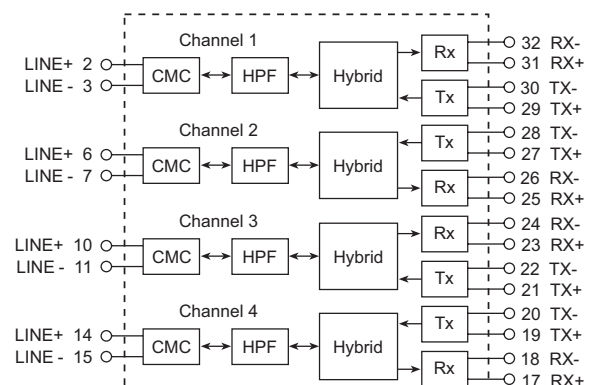
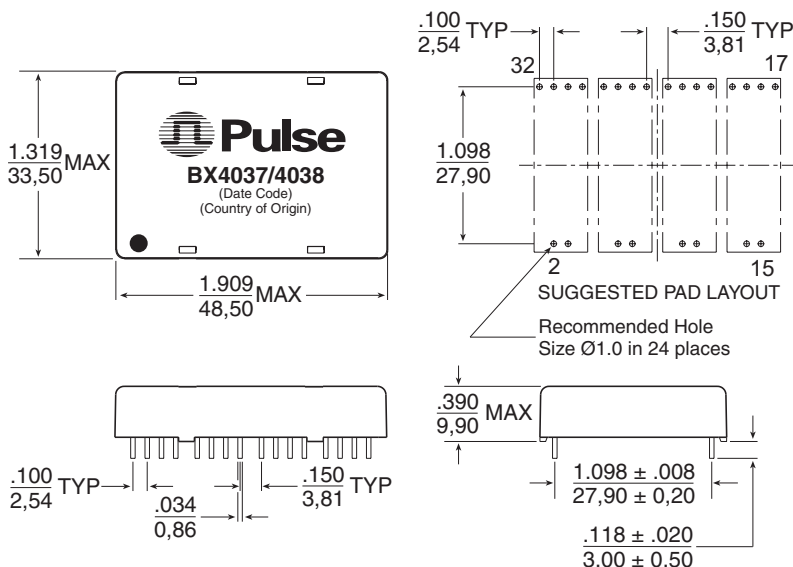
Part Number	Line Return Loss (dB MIN) 4.1 MHz - 7.9 MHz	Transhybrid Loss (dB MIN)		Isolation Voltage (Vrms)	Line Impedance (Ω)	TX Impedance (Ω)	RX Impedance (Ω)
		1 MHz - 3.4 MHz	4.1 MHz - 7.9 MHz				
BX4037	12	40	30	1500	120	40	270
BX4038	12	40	30	1500	120	40	270

NOTE: BX4037 is for ISDN/POTS applications. BX4038 is for Smartphone applications.

Mechanical

Schematic

BX4037/BX4038



Weight 11.8 grams
Tray 25/tray

Dimensions: $\frac{\text{Inches}}{\text{mm}}$

Unless otherwise specified, all tolerances are $\pm \frac{.010}{0,25}$

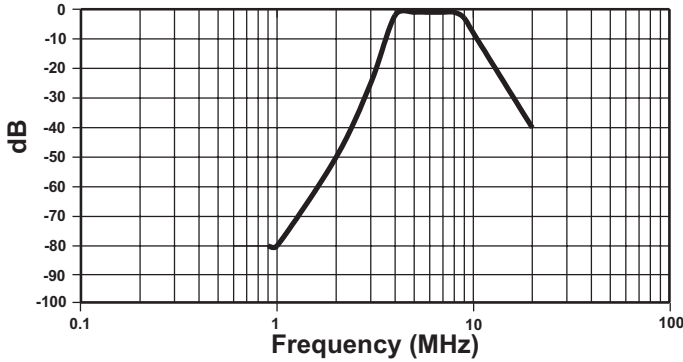
VDSL QUAD PORT CO FILTER MODULES

For Infineon Octal VDSL 10Base-S Chipsets

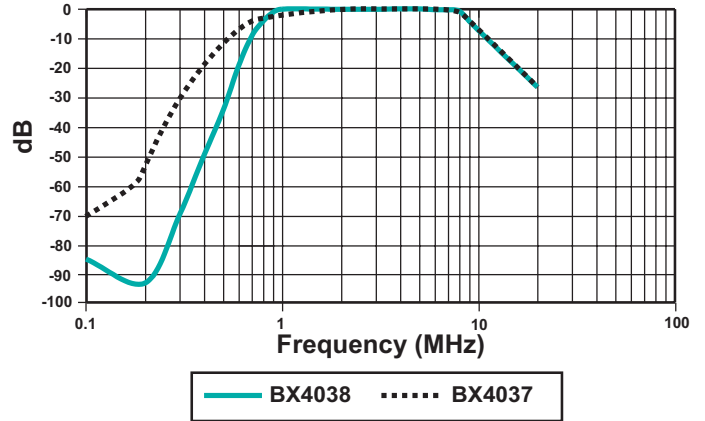


Typical Performance @ 25°C BX4037 & BX4038

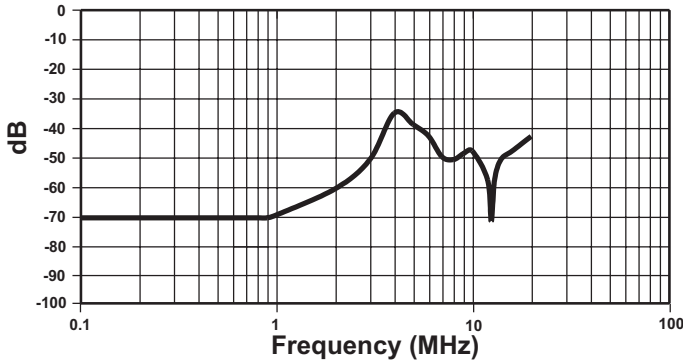
RX Insertion Loss



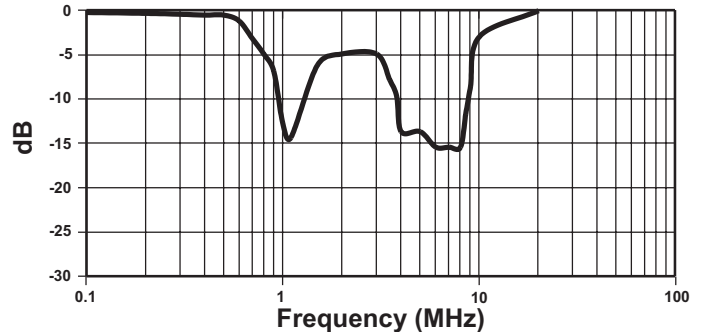
TX Insertion Loss



Transhybrid Loss



Return Loss



For More Information :

UNITED STATES (Worldwide)	UNITED KINGDOM (Northern Europe)	FRANCE (Southern Europe)	SINGAPORE (Southern Asia)	TAIWAN, R.O.C. (Northern Asia)	HONG KONG (China/Hong Kong)	DISTRIBUTOR
12220 World Trade Drive San Diego, CA 92128 U.S.A. http://www.pulseeng.com TEL: 858 674 8100 FAX: 858 674 8262	1 & 2 Huxley Road The Surrey Research Park Guildford, Surrey GU2 5RE United Kingdom TEL: 44 1483 401700 FAX: 44 1483 401701	Zone Industrielle F-39270 Orgelet France TEL: 33 3 84 35 04 04 FAX: 33 3 84 25 46 41	150 Kampong Ampat #07-01/02 KA Centre Singapore 368324 TEL: 65 6287 8998 FAX: 65 6280 0080	3F-4, No. 81, Sec. 1 HsinTai Wu Road Hsi-Chih, Taipei Hsien Taiwan, R.O.C. Tel: 886 2 2698 0228 FAX: 886 2 2698 0948	19/F, China United Plaza 1008 Tai Nan West Street Cheung Sha Wan, Kowloon Hong Kong, China TEL: 852 2788 6588 FAX: 852 2776 1055	

Performance warranty of products offered on this data sheet is limited to the parameters specified. Data is subject to change without notice. Other brand and product names mentioned herein may be trademarks or registered trademarks of their respective owners.

Printed on recycled paper. ©2002, Pulse Engineering, Inc.

B809.A (12/02)