

### Features

- Low Loss
- Low Ripple
- High Rejection

### Description

Surface mount, silver (Ag) coated ceramic duplexer. Developed for use in 800 MHz subscriber and infrastructure applications.

Weight: 3.9 grams typical

Material: Filter is composed of a ceramic block plated with Ag and a shield made of nickel silver plated steel.

Filter complies with RoHS standards.



### Electrical Specifications

Parameter	Frequency (MHz)	Spec. @ 25°C	Typical @25°C	Spec. over -30°C to + 85°C
<b>Antenna to TX Response</b>				
Pass band Insertion Loss	824 - 849	2.4 dB max	2.1 dB	2.6 dB max
Pass band Return Loss	824 - 849	13 dB min	14.7 dB	12 dB min
Pass band Ripple	824 - 849	1.5 dB max	1.2 dB	1.6 dB max
Rejection @ RX band	869 - 894	43 dB min	45.3 dB	42 dB min
<b>Antenna to RX Response</b>				
Pass band Insertion Loss	869 - 894	3.3 dB max	2.8 dB	3.5 dB max
Pass band Return Loss	869 - 894	13 dB min	15.3 dB	12 dB min
Pass band Ripple	869 - 894	2.0 dB max	1.5 dB	2.1 dB max
Rejection @ TX band	824 - 849	58 dB min	60.0 dB	57 dB min
<b>TX to RX Response</b>				
Rejection @ RX band	869 - 894	44 dB min	48.1 dB	43 dB min
Rejection @ TX band	824 - 849	60 dB min	62.5 dB	59 dB min
Power into any port		3.0 Watt max		

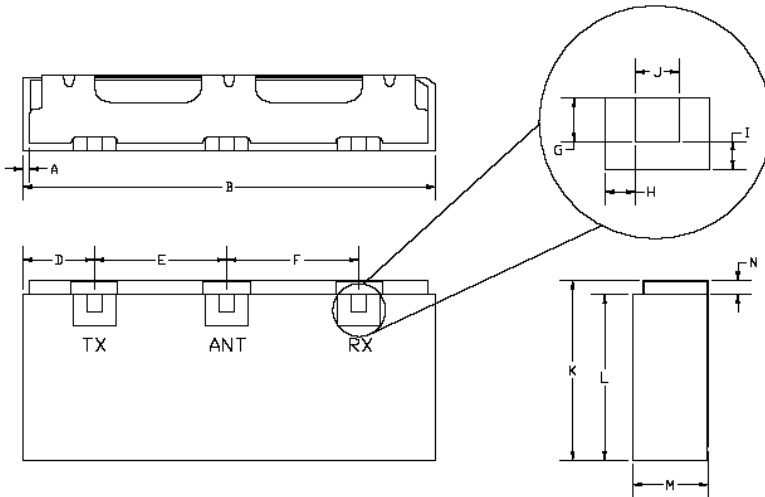
Note: Supplier shall test each filter to the critical electrical specifications of the above table. Any subsequent audits may deviate from in value due to measurement repeatability among different test systems. Such deviations shall not exceed the following limits:

Specification Allowance	
Insertion Loss	0.1 dB
Return Loss	1.0 dB
Stopbands	1.0 dB

\*This product is covered by one or more of the following U.S. and foreign patents including: US 4,692,726;US 4,742,562; US 4,800,348;US 4,829,274;US 5,146,193;EP 0573597;DE 0573597;FR 0573597;JP 508149/92;KR 142171;US 5,162,760;US 5,218,329;US 5,250,916;US 5,327,109;US 5,488,335;CA 2114029;FR 9306297;GB 2273393;JP 3205337;KR 115113;CN 93106228.4;US 5,512,866;EP 0706719;DE 0706719;FR 0706719;GB 0706719;CN 95190359.4;US 5,602,518;US 5,721,520;US 5,745,018;EP 0910875;DE 0910875;DK 0910875;FR 0910875;GB 0910875;IE 0910875;JP 505182/98;KR 10-323013;US 5,994,978;US 6,462,629;CN 00810420.4;US 6,559,735;US 6,650,202;US 6,834,429. Other US and foreign patents pending.

\*CTS Corporation 2006 reserves all copyrights in the layout, design and configuration of the patterns on this product.\*

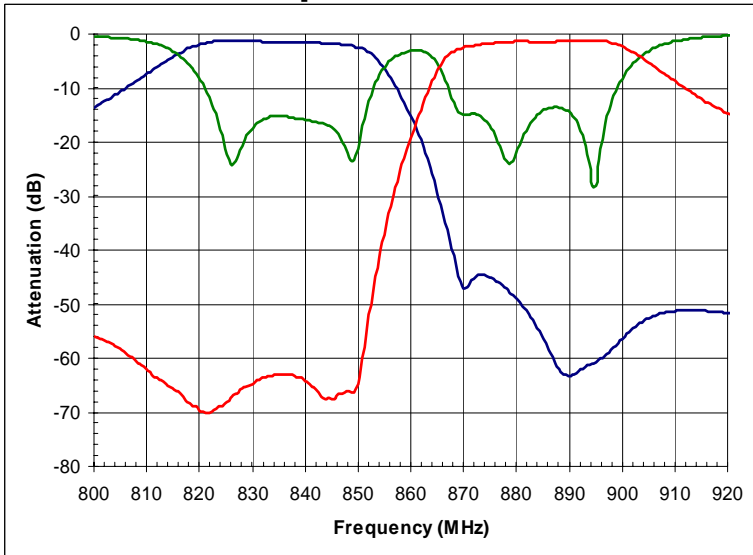
### Mechanical Drawing



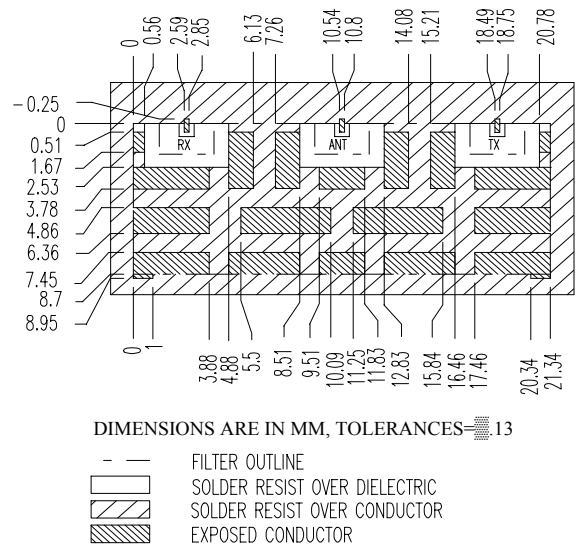
Dim	Nominal (mm)	Tolerance (mm) +/- or max
A		
B	21.54	max
C		
D	2.72	0.2
E	7.95	0.2
F	7.95	0.2
G	0.76	0.13
H	1.00	0.13
I	1.00	0.13
J	0.76	0.13
K	9.70	max
L	8.70	0.20
M	4.00	max
*N	0.80	0.13

\* Indicates Reference Only

### Electrical response



### PCB Layout



### Packaging and Marking

DIMENSION	UNITS	SPECIFICATION
REEL DIAMETER	mm	330
REEL WEIGHT	kg	2.7
REEL QUANTITY	ea.	500

