

HOMELAN MAGNETICS

10Mbps Filter Modules



LM00100

- Designed to work with Broadcom BCM4210
- UL/IEC950 approved, supplementary insulation, file number E150991
- Operating temperature -40° to +85° C
- Designed to withstand 225° C peak IR reflow temperature
- Minimum interwinding breakdown voltage of 1500 Vrms
- Optimized low frequency impedance

ELECTRICAL SPECIFICATIONS AT 25° C

Part Number	Turns Ratio		Insertion Loss	Cut-off Frequency MHz		Return Loss dB min	Attenuation dB min			Common to Differential Mode Rejection dB min
	TX 1-3 : 20-18	RX 5-7 : 20-18		4.25MHz to 9.75MHz	Lower Band		Upper Band	4.75MHz to 9.25MHz	@1.1MHz	
S556-5000-14	0.667 : 1	2 : 1	-1.0 dB min -2.2 dB max	4.25	9.75	-12	-60	-35	-60	-40
S556-5000-15	0.667 : 1	2 : 1	-1.0 dB min -2.2 dB max	4.25	9.75	-12	-60	-35	-60	-40

INPUT IMPEDANCE

Frequency Range kHz	Minimum Impedance Ω
0 < f <= 0.285	1M
0.285 < f <= 2.85	100k
2.85 < f <= 28.5	10k
28.5 < f <= 95	8.9k
95 < f <= 190	4.0k
190 < f <= 285	3.0k
285 < f <= 380	2.0k
380 < f <= 475	1.6k
475 < f <= 570	1.4k
570 < f <= 665	1.2k
665 < f <= 760	1.0k
760 < f <= 855	950
855 < f <= 950	850
950 < f <= 1000	800

Frequency Range kHz	Minimum Impedance Ω
1000 < f <= 1400	500
1400 < f <= 2300	280
2300 < f <= 2850	50
2850 < f <= 3085	25
3085 < f <= 3725	10
3725 < f <= 3935	25
3935 < f <= 4000	50
10000 < f <= 10450	40
10450 < f <= 10925	25
10925 < f <= 13125	10
13125 < f <= 14175	25
14175 < f <= 16800	50
16800 < f <= 21000	100
21000 < f <= 30000	50

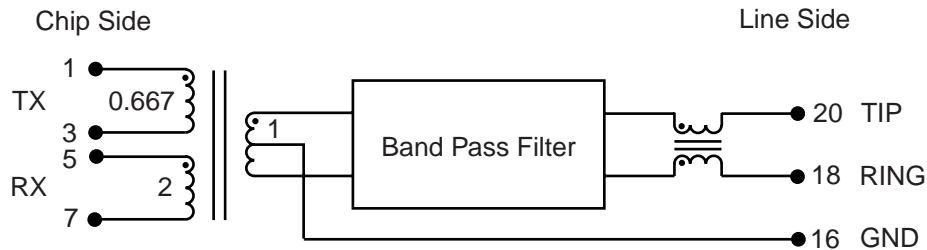
©2001 Bel Fuse Inc. Specifications subject to change without notice. 12.01

Bel Fuse Inc. 206 Van Vorst Street, Jersey City, NJ 07302 • Tel 201-432-0463 • Fax 201-432-9542 • www.belfuse.com

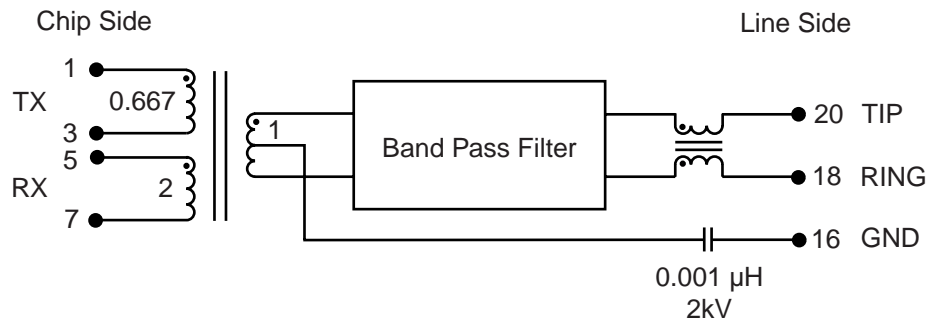
LM00100

SCHEMATICS

S556-5000-14

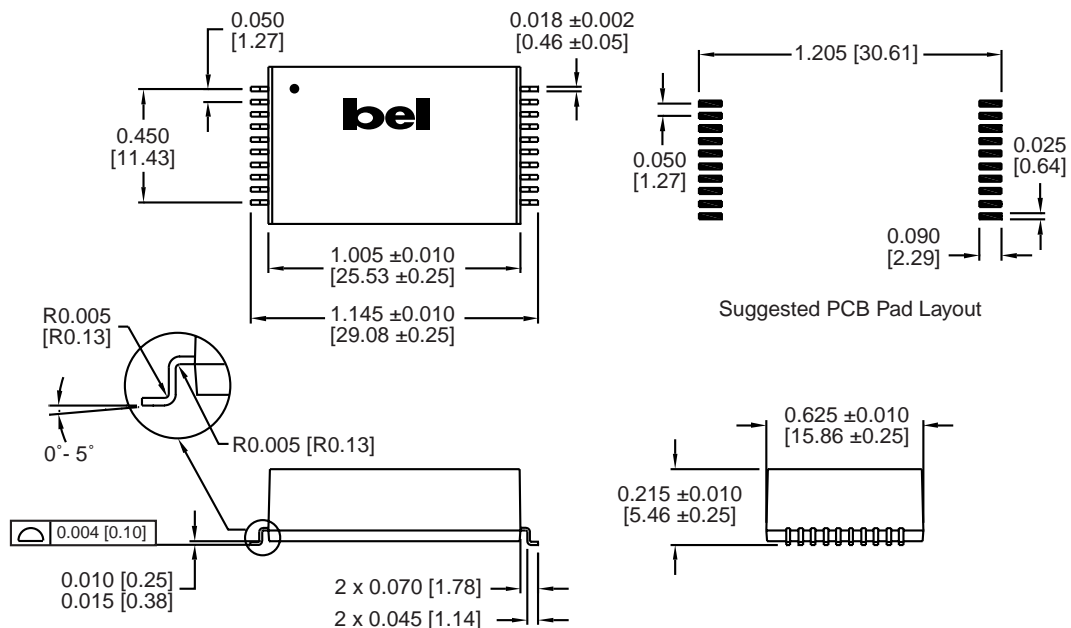


S556-5000-15



MECHANICAL

S556-5000-14
S556-5000-15



©2001 Bel Fuse Inc. Specifications subject to change without notice. 12.01

CORPORATE

Bel Fuse Inc.
206 Van Vorst Street
Jersey City, NJ 07302
Tel 201-432-0463
Fax 201-432-9542
www.belfuse.com

FAR EAST

Bel Fuse Ltd.
8F / 8 Luk Hop Street
San Po Kong
Kowloon, Hong Kong
Tel 852-2328-5515
Fax 852-2352-3706
www.belfuse.com

EUROPE

Bel Fuse Europe Ltd.
Preston Technology Management Centre
Marsh Lane, Suite G7, Preston
Lancashire, PR1 8UD, U.K.
Tel 44-1772-556601
Fax 44-1772-888366
www.belfuse.com