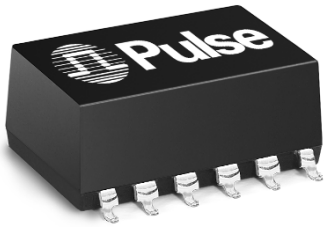


LOW PASS FILTERS

For Use in Cable Modems and Termination Systems



- ⊕ For use in HFC and cable modems
- ⊕ Less than 1 dB inband insertion loss
- ⊕ Small group delay variation
- ⊕ Small surface mount package

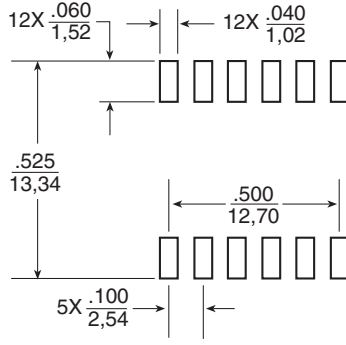
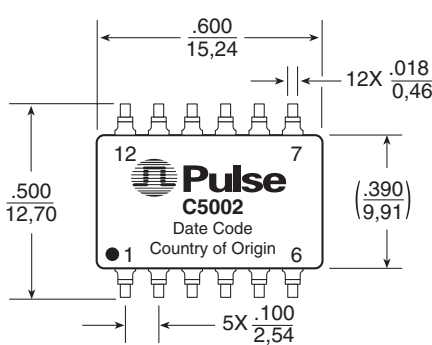
Electrical Specifications @ 25°C — Operating Temperature -40°C to +85°C

Part Number	In/Out Impedance	Passband	Insertion Loss	Return Loss (TYP)	Rejection (MIN)
C5002	50 Ω	5-49 MHz	5-49 MHz @ 1.0 dB MAX	-20 dB	at 64 MHz: 10 dB at 85 MHz: 45 dB 100 to 870 MHz: 50 dB

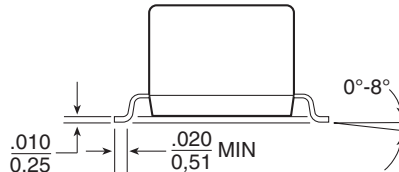
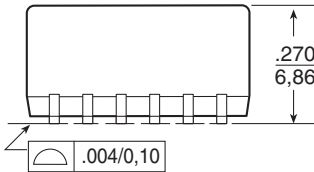
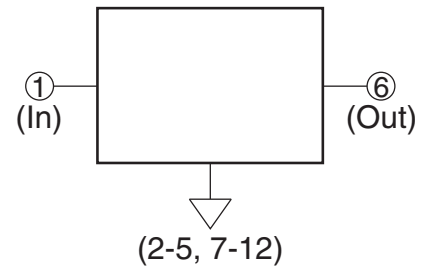
Mechanical

Schematic

C5002



SUGGESTED PAD LAYOUT



Weight1.0 grams
Tape & Reel400/reel
Tube35/tube

Dimensions: $\frac{\text{Inches}}{\text{mm}}$
Unless otherwise specified, all tolerances are $\pm .010$ / $0,26$

For More Information :

UNITED STATES (Worldwide)	UNITED KINGDOM (Northern Europe)	FRANCE (Southern Europe)	SINGAPORE (Southern Asia)	TAIWAN, R.O.C. (Northern Asia)	HONG KONG (Great China)	DISTRIBUTOR
12220 World Trade Drive San Diego, CA 92128 U.S.A. http://www.pulseeng.com TEL: 619 674 8100 FAX: 619 674 8262	1 & 2 Huxley Road The Surrey Research Park Guildford, Surrey GU2 5RE United Kingdom TEL: 44 1483 401700 FAX: 44 1483 401701	Zone Industrielle F-39270 Orgelet France TEL: 33 3 84 35 04 04 FAX: 33 3 84 25 46 41	150 Kampong Ampat #07-01/02 KA Centre Singapore 368324 TEL: 65 287 8998 FAX: 65 280 0080	3F-4, No. 81, Sec. 1 HsinTai Wu Road Hsi-Chih, Taipei Hsien Taiwan, R.O.C. Tel: 886 2 2698 0228 FAX: 886 2 2698 0948	19/F, China United Plaza 1008 Tai Nan West Street Cheung Sha Wan, Kowloon Hong Kong, China TEL: 852 2788 6588 FAX: 852 2776 1055	

Performance warranty of products offered on this data sheet is limited to the parameters specified. Data is subject to change without notice. Other brand and product names mentioned herein may be trademarks or registered trademarks of their respective owners.

♻️ Printed on recycled paper. ©2000, Pulse Engineering, Inc.

PRELIMINARY C208.P (8/01)