



### Features

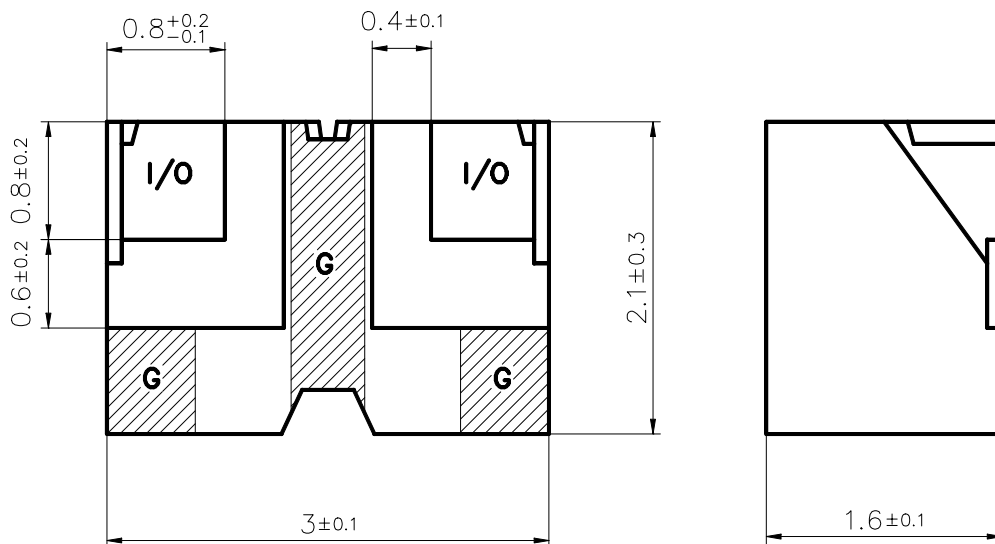
- SMD filter consisting of coupled resonators with stepped impedances
- MgTiO<sub>3</sub> - CaTiO<sub>3</sub> ( $\epsilon_r = 21$  /  $TC_f = 0 \pm 10$  ppm/K) with a coating of copper (10 $\mu$ m) and tin (>5 $\mu$ m)
- Excellent reflow solderability, no migration effect due to copper/tin metallization

### Index

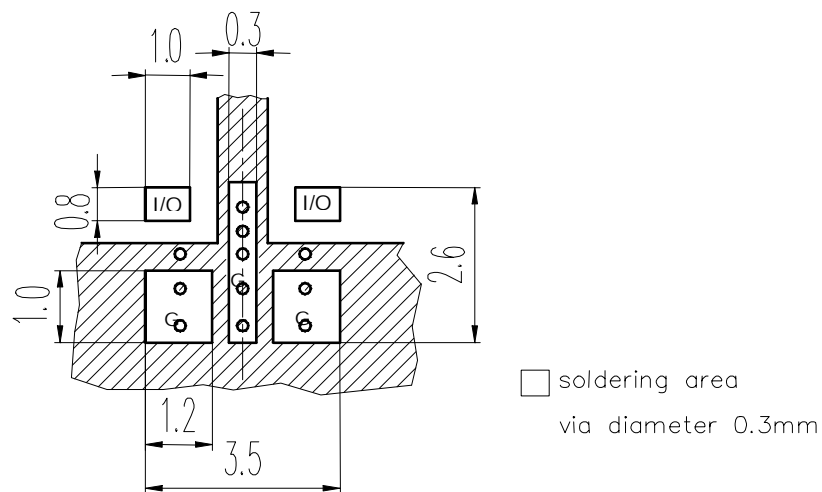
- Page 2
  - Component drawing
  - Recommended footprint
- Page 3
  - Characteristics
  - Maximum ratings
  - Typical passband characteristic
- Page 4
  - Processing information
  - Soldering requirements
  - Delivery mode

ISSUE DATE	18.09.03	ISSUE	P2	PUBLISHER	SAW MWC PD F	PAGE	1/4
------------	----------	-------	----	-----------	--------------	------	-----

Component drawing



Recommended footprint



FOOTPRINT\_010601.DWG→WMF

ISSUE DATE	18.09.03	ISSUE	P2	PUBLISHER	SAW MWC PD F	PAGE	2/4
------------	----------	-------	----	-----------	--------------	------	-----

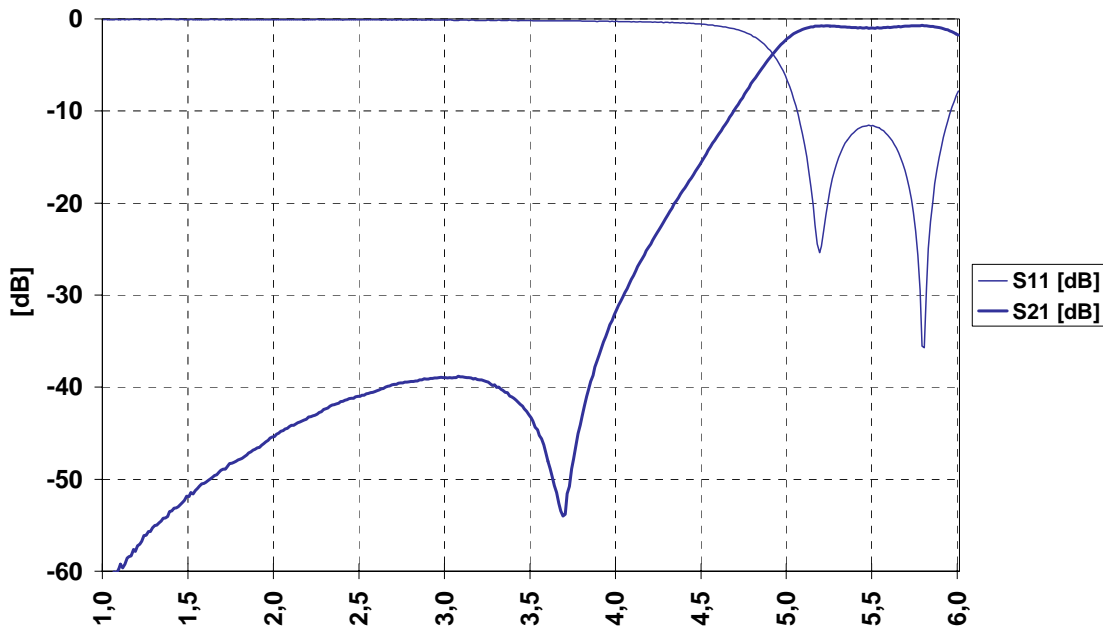
**Characteristics**

		min.	typ.	max.	
Center frequency	$f_c$			5.5	GHz
Insertion loss [5150 – 5850] MHz	$\alpha_{IL}$		1.0	1.4	dB
Passband [5150 – 5850] MHz	$B$	700			MHz
Amplitude ripple (peak - peak) [5150 – 5850] MHz	$\Delta\alpha$				dB
Standing wave ratio [5150 – 5850] MHz	$SWR$		1.8	2.0	
Impedance	$Z$		50		$\Omega$
Power	$P$			1.0	W
Attenuation	$\alpha$	at DC to 1990 MHz	45	50	dB
		at 1990 to 2170 MHz	42	45	dB
		at 2400 to 2500 MHz	40	43	dB

**Maximum ratings**

IEC climatic category (IEC 68-1)		- 40/+ 90/56	
Operating temperature	$T_{op}$	-40 / +85	°C

**Typical passband characteristic**



ISSUE DATE	18.09.03	ISSUE	P2	PUBLISHER	SAW MWC PD F	PAGE	3/4
------------	----------	-------	----	-----------	--------------	------	-----

Preliminary Datasheet

Processing information

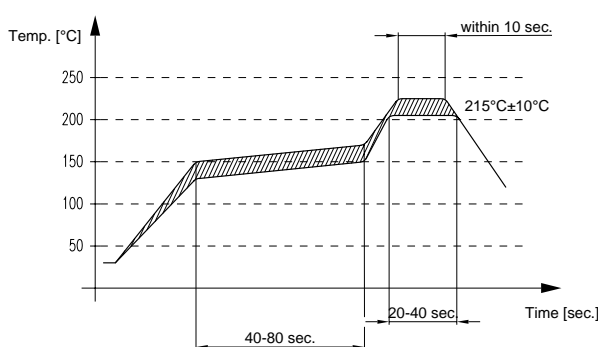
ZNr.: 577 (FLT95\_2)

- Wettability to IEC 68-2-58:  $\geq 75\%$  (after aging)

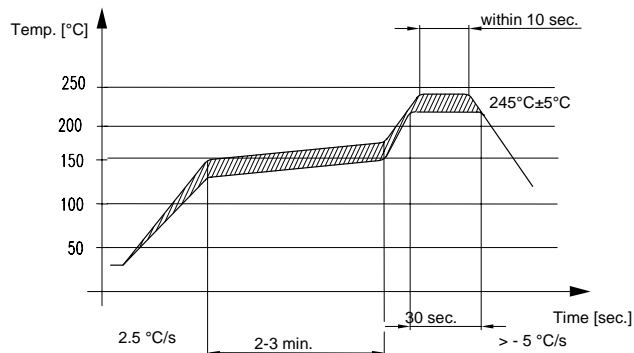
Soldering requirements

	Profile for eutectic SnPb solder paste	Profile for leadfree solder paste	
Soldering type	reflow	reflow	
Maximum soldering temperature (measuring point on top surface of the component)	235 (max. 2 sec.) 225 (max. 10 sec.)	260 (max. 2 sec.) 250 (max. 10 sec.)	°C °C

Recommended soldering conditions (infrared):



eutectic SnPb solder paste profile



leadfree solder paste profile

Delivery mode

- Blister tape acc. to IEC 286-3, PS, grey
- Pieces/tape: t.b.d.

t.b.d.

© EPCOS AG 2001. All Rights Reserved. Reproduction, publication and dissemination of this data sheet, enclosures hereto and the information contained therein without EPCOS' prior express consent is prohibited.

The information contained in this data sheet describes the type of component and shall not be considered as guaranteed characteristics. Purchase orders are subject to the General Conditions for the Supply of Products and Services of the Electrical and Electronics Industry recommended by the ZVEI (German Electrical and Electronic Manufacturers' Association), unless otherwise agreed.

ISSUE DATE	18.09.03	ISSUE	P2	PUBLISHER	SAW MWC PD F	PAGE	4/4
------------	----------	-------	----	-----------	--------------	------	-----